

# SECHELT AQUATIC CENTRE

Feb 27 2026

**Quote Number** MACS-LTG-26-83977

SUBMITTAL FOR PRIOR APPROVAL



**- Prepared By -**

Husam Dawoud - Mac's ii Design Team  
100-1851 Brigantine Dr #100  
Coquitlam, BC V3K 7B4, Canada

**- Address To -**

McCuaig & Associates Engineering Ltd.



# SECHELT AQUATIC CENTRE

## Table of Contents

### Datasheets

Type	Manufacturer	Model Number
M15	STREETWORKS	<a href="#">IFLD-S-SA3-C-940-1-44-P-AP-CC</a>
W15	STREETWORKS	<a href="#">IFLD-S-SA3-C-940-1-55-P-AP-CC</a>
M20	STREETWORKS	<a href="#">IFLD-S-SA6-A-940-1-44-P-AP-CC</a>
W20	STREETWORKS	<a href="#">IFLD-S-SA6-A-940-1-55-P-AP-CC</a>
B	METALUX	<a href="#">22CZ2-50VHE-UNV-L92765-CD1-WLS-U</a>
F	METALUX	<a href="#">4VT3-SL3C3-XX-UNV-WLS4</a>
G	METALUX	<a href="#">4VT3-SL3C3-XX-UNV</a>
L -OPTION01	PORTFOLIO	<a href="#">LER4C20DE010W2N2765MB / EC4C1030W2N902765 / 4LBN3MB / AC4120MB</a>
L -OPTION02	LITELINE CORPORATION	<a href="#">GCY4P60-IS-TW-S-BK-R-HB-K</a>
Y -OPTION01	WAC LIGHTING	<a href="#">S2SA-1-N-TWA-BK</a>
Y -OPTION02	WAC LIGHTING	<a href="#">S2SA-2-N-TWA-BK</a>
N	METALUX	<a href="#">4VT3-SL3C3-XX-UNV-WLS4</a>
Q	EATON'S CROUSE-HINDS	<a href="#">VMVL-3-N-C2-XX-UNV1-M2</a>



# SECHELT AQUATIC CENTRE

## Notes Summary

Type	Notes
F	SPECIFY DISTRIBUTION
G	SPECIFY DISTRIBUTION
Y -OPTION02	SPECIFY BEAM ANGLE
N	SPECIFY DISTRIBUTION
Q	SPECIFY OPTIC

Job Name : SECHLT AQUATIC CENTRE  
 Manufacturer : STREETWORKS  
 Model Number : IFLD-S-SA3-C-940-1-44-P-AP-CC

Type :  
**M15**

Project		Catalog #		Type	
Prepared by		Notes		Date	



## Streetworks

### IFLD Infrastructure Flood Series

Floodlight & Sign Light Luminaire

#### Product Features



#### Interactive Menu

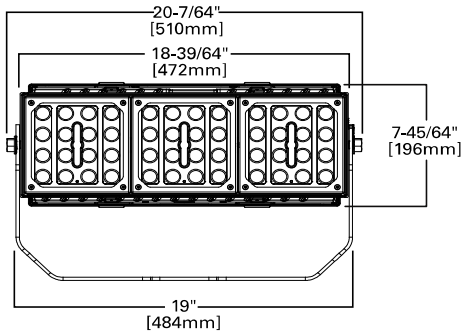
- Ordering Information page 2
- Product Specifications page 2
- Mounting Details page 3
- Optical Distributions page 5
- Energy and Performance Data page 6

#### Product Certifications

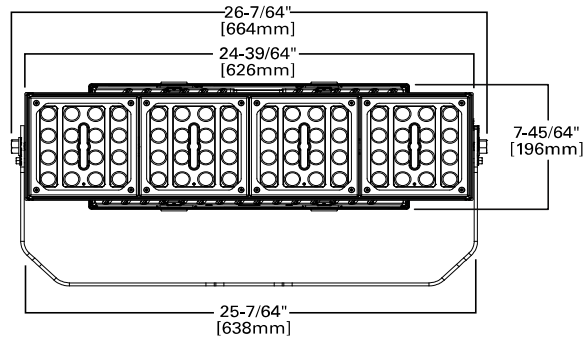


#### Dimensional Details

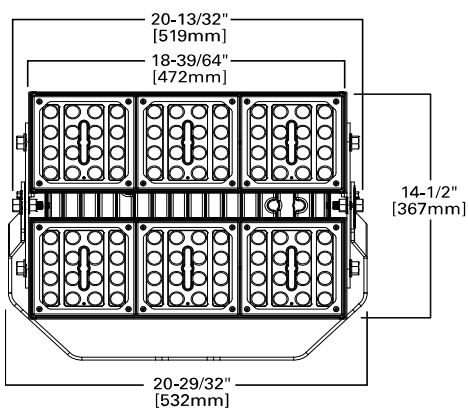
**IFLD-S Small 3 Square - Yoke Mount**



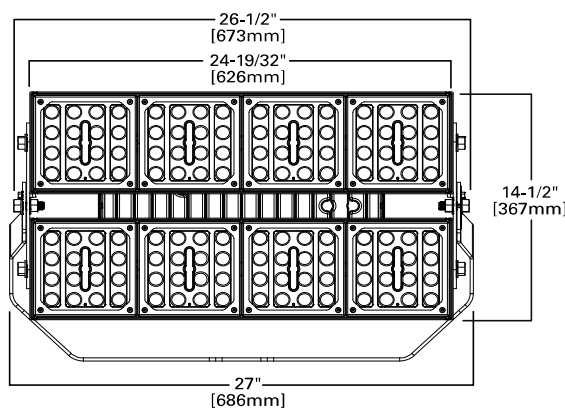
**IFLD-M Medium 4 Square - Yoke Mount**



**IFLD-S Small 6 Square - Yoke Mount**



**IFLD-L Large 8 Square - Yoke Mount**



Job Name : SECHLT AQUATIC CENTRE

Manufacturer : STREETWORKS

Model Number : IFLD-S-SA3-C-940-1-44-P-AP-CC

Type :

M15

# Streetworks

# IFLD Infrastructure Flood Series

## Ordering Information

SAMPLE ORDER NUMBER: IFLD-S-SA3-A-940-U-66-Y-AP-10K-PR7

Product Family	Light Engine	Drive Current	Color Temperature	Voltage	Distribution	Mounting	Color
IFLD-S	SA2=2 Squares SA3=3 Squares SA6=6 Squares	A=600mA B=800mA C=1000mA D=1200mA E=1500mA	722=70CRI, 2200K 727=70CRI, 2700K 730=70CRI, 3000K 735=70CRI, 3500K 740=70CRI, 4000K 750=70CRI, 5000K 760=70CRI, 5700K 827=80CRI, 2700K 830=80CRI, 3000K 930=90CRI, 3000K 935=90CRI, 3500K 940=90CRI, 4000K 950=90CRI, 5000K AMB=Amber, 590nm <sup>2,3,16</sup>	U=120-277V H=347-480V I=120V 2=208V 3=240V 4=277V 8=480V <sup>21</sup> 9=347V	11=NEMA 1H x 1V <sup>4,5</sup> 22=NEMA 2H x 2V <sup>4,5</sup> 33=NEMA 3H x 3V <sup>4,5</sup> 44=NEMA 4H x 4V <sup>4,5</sup> 55=NEMA 5H x 5V <sup>4,5</sup> 66=NEMA 6H x 6V <sup>4,5</sup> T2=Type II T2R=Type II Roadway T3=Type III T3R=Type III Roadway T4FT=Type IV Forward Throw T4W=Type IV Wide 5NQ=Type V Narrow <sup>5</sup> 5MQ=Type V Square Medium <sup>5</sup> 5WQ=Type V Square Wide <sup>5</sup> SL2=Type II w/Spill Control SL3=Type III w/Spill Control SL4=Type IV w/Spill Control SLL=90° Spill Light Eliminator Left SLR=90° Spill Light Eliminator Right RW=Rectangular Wide Type I <sup>5</sup>	ADJA=Adjustable Arm Direct Pole Mount C=Slipfitter, 3" O.D. (Cord through housing) S=Slipfitter, 3" O.D. (Leads through slipfitter) Y=Yoke P=Pendant	AP=Grey BZ=Bronze BK=Black DP=Dark Platinum WH=White
IFLD-M	SA4=4 Squares						
IFLD-L	SA7=7 Squares SA8=8 Squares <sup>1</sup>						
Options (Add as Suffix)			Controls		Accessories (Order Separately)		
F=Single Fuse (120, 277 or 347V Specify Voltage) FF=Double Fuse (208, 240 or 480V Specify Voltage) 10K=10kV/10kA UL 1449 Surge Protective Device 20K=Series 20kV UL 1449 Surge Protective Device 20KI=Series 20kV UL 1449 Surge Protective Device with light indicator 10MSP=Parallel 10kV MOV Surge Protective Device 20MSP=Parallel 20kV MOV Surge Protective Device DIM=Dimming Wiring Leads <sup>6,7</sup> CC=Coastal Construction finish <sup>23</sup> Natatorium finish Confirmed by StreetWorks TH=Tool-less Door Hardware HSS=Installed House Side Shield <sup>8</sup> HA=50°C High Ambient <sup>1</sup> CXXXX=Cord Type <sup>24</sup> GNDM=Ground Mounted Application <sup>10,11</sup> 3G=3G Vibration rated <sup>12</sup> LCF=Light Square Trim Painted to Match Housing <sup>20</sup> 5LTD=DALI drivers option Dxxxxx=DOT Configuration - Contact Quotes Team Uxxxxx=Utility Configuration - Contact Quotes Team			SPB1=Dimming Occupancy Sensor with Bluetooth Interface, <8' Mounting <sup>13</sup> SPB2=Dimming Occupancy Sensor with Bluetooth Interface, 8' - 20' Mounting <sup>13</sup> SPB4=Dimming Occupancy Sensor with Bluetooth Interface, 21' - 40' Mounting <sup>13</sup> AHD145=After Hours Dim, 5 Hours <sup>14</sup> AHD245=After Hours Dim, 6 Hours <sup>14</sup> AHD255=After Hours Dim, 7 Hours <sup>14</sup> AHD355=After Hours Dim, 8 Hours <sup>14</sup> PR=NEMA 3-PIN Twistlock Photocontrol Receptacle PR7=NEMA 7-PIN Twistlock Photocontrol Receptacle <sup>25</sup> PSC=Photocontrol Shorting Cap NPC=NEMA Photocontrol - Multi-Tap LLPC=Longlife Photocontrol Included LLPC-FO=Long-life Photocontrol (Fail-Off) FADC=Field Adjustable Dimming Controller <sup>15</sup>		OA / RA1013=Photocontrol Shorting Cap OA1223=10kV Surge Module Replacement SRA238=2-3/8" Tenon Sleeve Adapter TYS-XX=Slipfitter Adapter for 2-3/8", 3" or 3-1/2" O.D. Tenon <sup>18,19,22</sup> WRGX=Wire guard for "X" LightSquare(s) <sup>17</sup> VSHX=Vandal shield for "X" LightSquare(s) <sup>8,17</sup> LSHX=Louvershield for "X" LightSquare(s) <sup>17,20</sup>		

### NOTES:

- Not available with 1.5A drive current.
- Not available with "HA" option.
- Available only with 5WQ, 5MQ, SL2, SL3, and SL4 distributions.
- 90 CRI CCTs compatibility only.
- HSS not available.
- Can not be used with any of the "SPB" sensors.
- Only available with 16 AWG leads. 18" leads brought outside of fixture.
- Not available with "HA" or 1.5A drive current options.
- Reserved.
- Not available with Tool-less door hardware (TH).
- Not available with yoke or pendant mounting.
- Not available with pendant mounting.
- Not available with (GNDM) ground mount option. Smart device with Sensor Configuration mobile application required to change system defaults.
- Can not be used with DALI drivers or FADC. Requires the use of NPC photocontrol or the PR7 or PR photocontrol receptacle with photocontrol accessory.
- Not available with DALI drivers, or motion sensors (SPB).
- Only available at 500mA drive current. Use "A" drive current. Narrow-band 590nm +/- 5nm for wildlife and observatory use.
- Replace "X" with the number of lightsquares on luminaire.
- Not available for IFLD-L..
- Not available with 3G vibration rating.
- Not available on NEMA flood optics.
- Only for use with 480V Wye systems. Per NEC, not for use with ungrounded systems, impedance grounded systems or corner grounded systems (commonly known as Three Phase Three Wire Delta, Three Phase High Leg Delta and Three Phase Corner Grounded Delta systems).
- Not available with slipfitter mount.
- Coastal construction finish salt spray tested to over 5,000-hours per ASTM B117, with a scribe rating of 9 per ASTM D1654.
- 3-conductor cord available in 14 and 16 gauge with lengths of 5, 8, 10, 15, 20, and 25 feet. Specify cord gauge with the first 2 digits and cord length with the last 2 digits (ex: C1605 = 16-gauge, 5 feet length cord). Standard cord is 16-gauge with length of 3.5ft if not specified.
- Not available with motion sensors.

## Product Specifications

### Construction

- Heavy-duty Die cast aluminum housing, door, and heat sink
- A separate driver compartment and external fins provide optimal thermal management that result in longer LED and driver life
- 3 housing sizes (Small, Medium, and Large) ranging from 2 to 8 squares
- The housing, optical chamber and driver compartment are IP66 rated
- Access to the driver for maintenance is achieved with a removable driver door
- The fixture is optional 3G vibration rated (ANSI C136.31) to ensure durability in area and site lighting applications

### Optics

- High-efficiency injection-molded AccuLED Optics technology
- 20 optical distributions for flood, area site, and roadway applications
- Optics are precisely designed to shape the NEMA type flood distributions, maximizing efficiency and application spacing

- Louver shields, vandal shields, visors, and wire guard accessories available
- Various CCTs available, 2200K, 2700K, 3000K, 3500K, 4000K, 5000K, 5700K, and 590nm amber
- CCTs offered in 70 or 80 CRI for roadway optics and 90CRI for NEMA flood optics
- IDA Certified for 3000K CCT and warmer only

### Electrical

- 120-277V 50/60Hz, 347V 60Hz or 480V 60Hz operation
- 10kV and 20kV surge or parallel surge protection options available
- 0-10V dimming driver is standard to accommodate controls capability such as dimming and occupancy
- Available with 3-PIN or 7-PIN NEMA photocontrol receptacles
- Suitable for ambient temperatures from -40°C to 40°C; Optional 50°C HA (high ambient) available
- Luminaire available with the field adjustable dimming controller (FADC) to manually adjust wattage and reduce the total lumen output and light levels; Comes pre-set to the highest position

at the lumen output selected

### Mounting

- Mounting options include an integral die-cast aluminum slipfitter, galvanized steel yoke, and pendant mount (pendant supplied by others)
- The slipfitter fits standard 3" O.D. tenon.
- SRA238 adapter available for 2-3/8" OD applications
- The yoke mounting includes a polyester powder coated galvanized steel yoke with a 16/3 STW-A cord
- The yoke mount uses an interlocking slide adjustment that is locked in place with a set screw

### Finish

- Housing and cast parts finished in five-stage super TGIC polyester powder coat paint, 2.5 mil nominal thickness for superior protection against fade and wear
- Coastal construction finish option available



Job Name : SECHLT AQUATIC CENTRE  
 Manufacturer : STREETWORKS  
 Model Number : IFLD-S-SA3-C-940-1-44-P-AP-CC

Type :  
**M15**

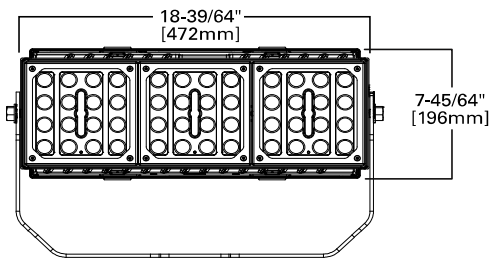
## Streetworks

## IFLD Infrastructure Flood Series

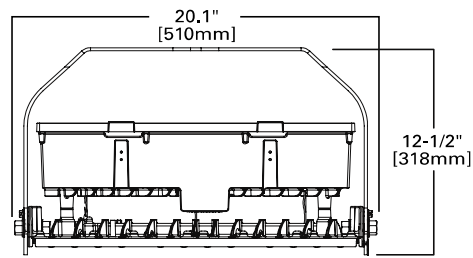
### Mounting Details - 3 Square

 Supplemental Line Art

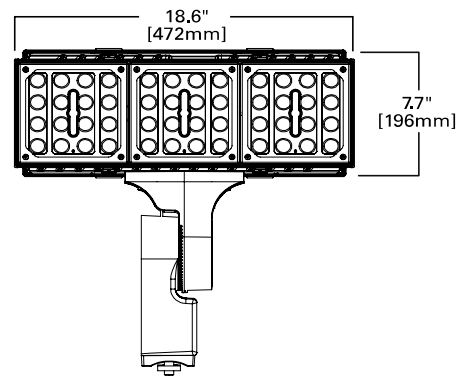
**Yoke Mount**



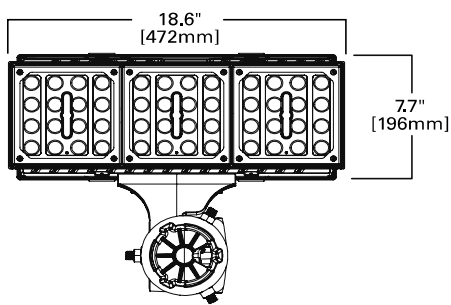
**Pendant Mount**



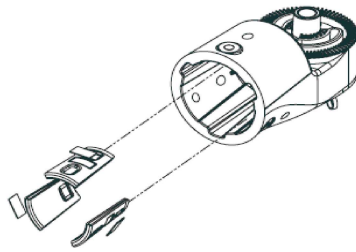
**Direct Pole Mount**



**Slipfitter**

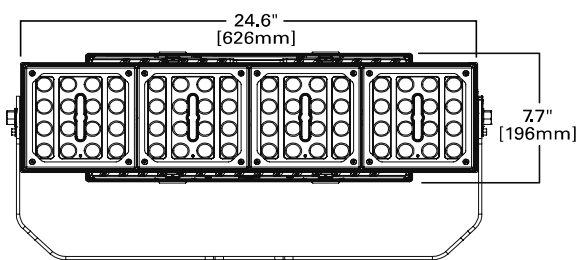


**Slipfitter Spacer (SRA238)**

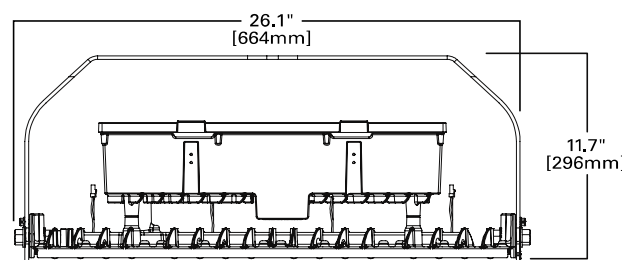


### Mounting Details - 4 Square

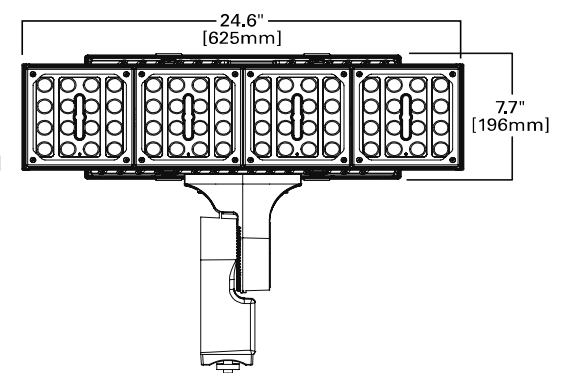
**Yoke Mount**



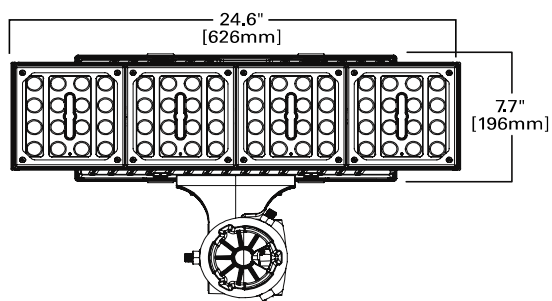
**Pendant Mount**



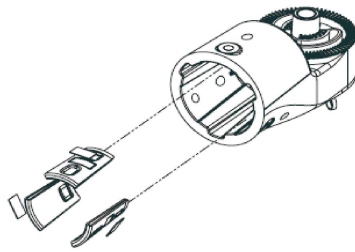
**Direct Pole Mount**



**Slipfitter**



**Slipfitter Spacer (SRA238)**



Job Name : SECHLT AQUATIC CENTRE  
 Manufacturer : STREETWORKS  
 Model Number : IFLD-S-SA3-C-940-1-44-P-AP-CC

Type :  
**M15**

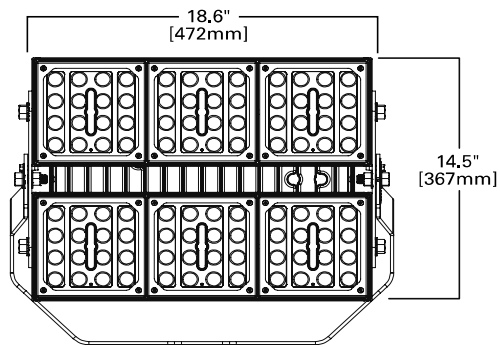
## Streetworks

## IFLD Infrastructure Flood Series

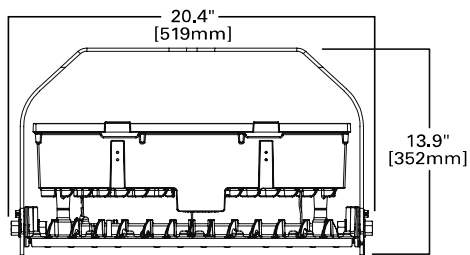
### Mounting Details - 6 Square

 Supplemental Line Art

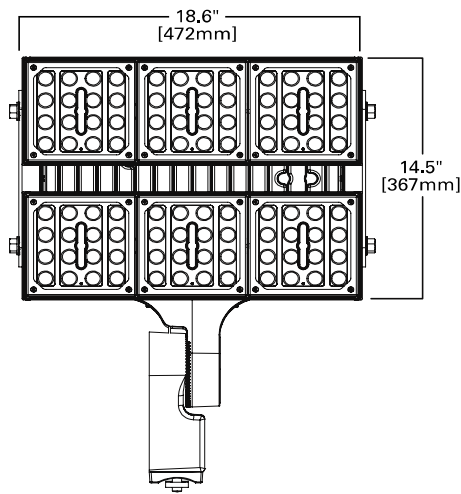
**Yoke Mount**



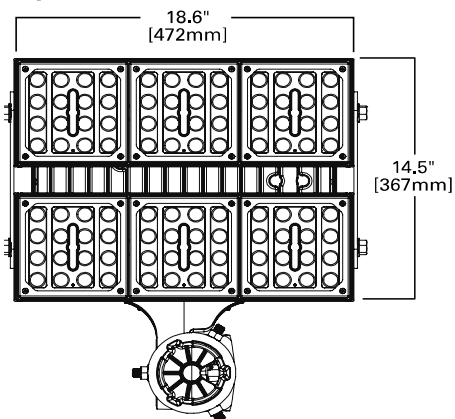
**Pendant Mount**



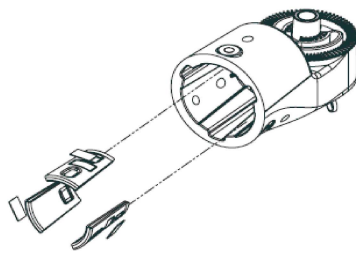
**Direct Pole Mount**



**Slipfitter**

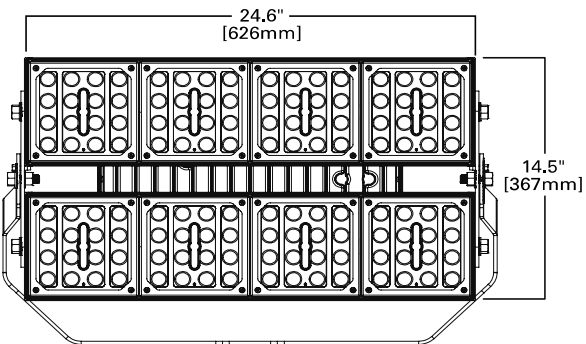


**Slipfitter Spacer (SRA238)**

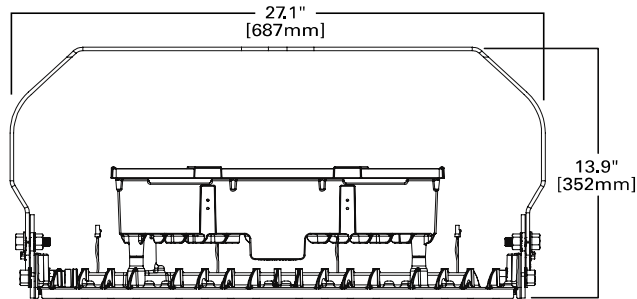


### Mounting Details - 8 Square

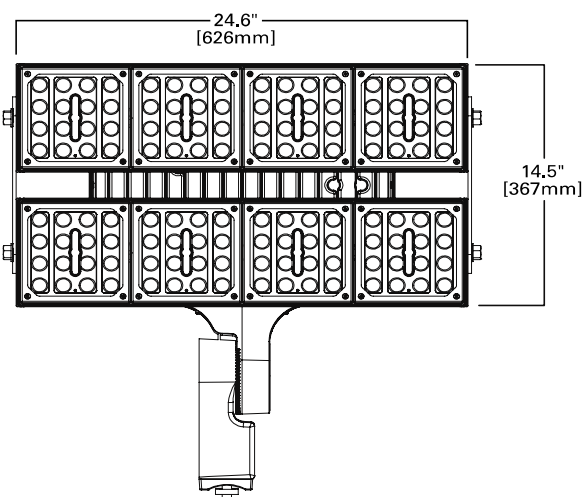
**Yoke Mount**



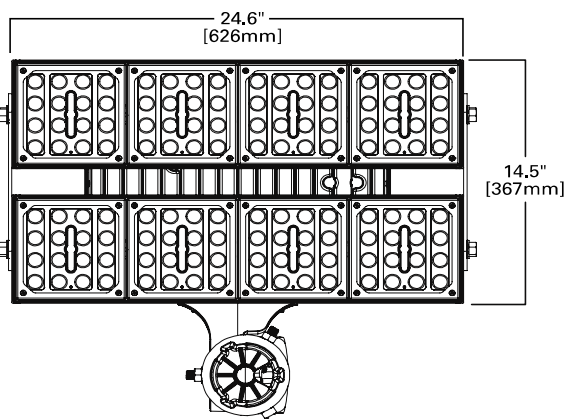
**Pendant Mount**



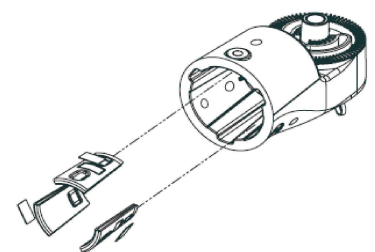
**Direct Pole Mount**



**Slipfitter**



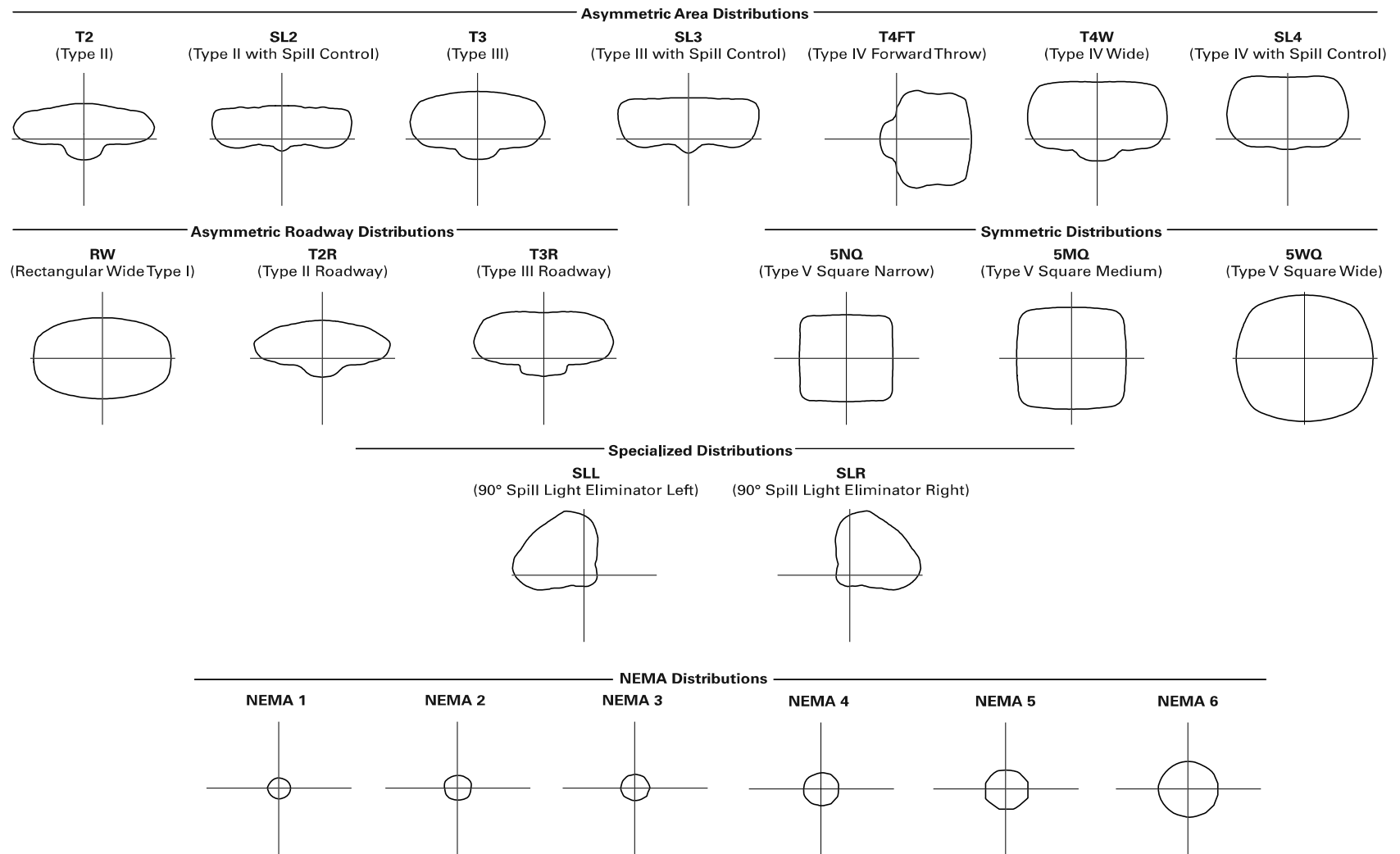
**Slipfitter Spacer (SRA238)**



## Streetworks

## IFLD Infrastructure Flood Series

### Optical Distributions



**Job Name :** SECHELT AQUATIC CENTRE  
**Manufacturer :** STREETWORKS  
**Model Number :** IFLD-S-SA3-C-940-1-44-P-AP-CC

**Type :**  
**M15**

## Streetworks

## IFLD Infrastructure Flood Series

### Energy and Performance Data

#### Lumen Maintenance (TM-21)

Drive Current	Ambient Temperature	25,000 hours*	50,000 hours*	60,000 hours*	100,000 hours**	Theoretical L70 hours**
Up to 1A	25°C	99.4%	99.0%	98.9%	98.3%	> 2.4M
	40°C	98.7%	98.3%	98.1%	97.4%	> 1.9M
	50°C	98.2%	97.2%	96.8%	95.2%	> 851,000
1.2A	25°C	99.4%	99.0%	98.9%	98.3%	> 2.4M
	40°C	98.5%	97.9%	97.7%	96.7%	> 1.3M

\* Supported by IES TM-21 standards  
 \*\* Theoretical values represent estimations commonly used; however, refer to the IES position on LED Product Lifetime Prediction, IES PS-10-18, explaining proper use of IES TM-21 and LM-80.

#### Lumen Multiplier

Ambient Temperature	Lumen Multiplier
0°C	1.02
10°C	1.01
25°C	1.00
40°C	0.99
50°C	0.97

#### FADC Settings

FADC Position	Percent of Typical Lumen Output
1	27%
2	48%
3	57%
4	57%
5	64%
6	74%
7	79%
8	89%
9	94%
10	100%

#### Performance Table

##### Drive Current "C" (1050mA)

Square Count	7	8
Input Current @ 120V	3.15	3.58
Input Current @ 208V	1.85	2.11
Input Current @ 240V	1.59	1.80
Input Current @ 277V	1.40	1.59
Input Current @ 347V	1.12	1.27
Input Current @ 480V	0.81	0.92

#### Performance Table

##### Drive Current "D" (1200mA)

Square Count	7	8
Input Current @ 120V	3.62	4.10
Input Current @ 208V	2.12	2.40
Input Current @ 240V	1.84	2.06
Input Current @ 277V	1.62	1.81
Input Current @ 347V	1.24	1.40
Input Current @ 480V	0.90	1.01

#### Fixture Weights

LightSquare Count	2	3	6	4	7	8
Fixture Size	IFLD-S	IFLD-S	IFLD-S	IFLD-M	IFLD-L	IFLD-L
Yoke	24	24	46	26	51	51
Pendant	25	25	42	26	45	45
Slipfitter	28	28	46	30	47	47

#### EPA Data

LightSquare Count	2	3	6	4	7	8
Fixture Size	IFLD-S	IFLD-S	IFLD-S	IFLD-M	IFLD-L	IFLD-L
Yoke	1.61	1.61	2.38	1.64	2.78	2.78
Pendant	1.6	1.6	2.34	1.89	2.9	2.9
Slipfitter	1.77	1.77	2.47	2.04	2.99	2.99

Job Name : SECHELT AQUATIC CENTRE  
 Manufacturer : STREETWORKS  
 Model Number : IFLD-S-SA3-C-940-1-44-P-AP-CC

Type :  
**M15**

## Streetworks

## IFLD Infrastructure Flood Series

### Energy and Performance Data (IFLD-S)

Current "A" (600 mA)

Number of Light Squares		2	3	6
Nominal Power (Watts)		64	94	190
Optics				
T2	4000K Lumens	9,220	13,741	26,956
	BUG Rating	B2-U0-G2	B2-U0-G2	B3-U0-G4
	Lumens per Watt	144	146	142
T2R	4000K Lumens	9,284	13,836	27,141
	BUG Rating	B1-U0-G2	B2-U0-G2	B3-U0-G3
	Lumens per Watt	145	147	143
T3	4000K Lumens	9,403	14,013	27,489
	BUG Rating	B2-U0-G2	B2-U0-G2	B3-U0-G4
	Lumens per Watt	147	149	145
T3R	4000K Lumens	9,068	13,514	26,510
	BUG Rating	B1-U0-G2	B2-U0-G3	B3-U0-G4
	Lumens per Watt	142	144	140
T4FT	4000K Lumens	9,458	14,095	27,650
	BUG Rating	B2-U0-G2	B2-U0-G3	B3-U0-G4
	Lumens per Watt	148	150	146
T4W	4000K Lumens	9,331	13,906	27,279
	BUG Rating	B2-U0-G2	B2-U0-G3	B3-U0-G4
	Lumens per Watt	146	148	144
SL2	4000K Lumens	9,205	13,717	26,909
	BUG Rating	B2-U0-G3	B2-U0-G3	B3-U0-G4
	Lumens per Watt	144	146	142
SL3	4000K Lumens	9,109	13,576	26,633
	BUG Rating	B1-U0-G2	B2-U0-G2	B3-U0-G4
	Lumens per Watt	142	144	140
SL4	4000K Lumens	8,930	13,309	26,107
	BUG Rating	B1-U0-G3	B2-U0-G3	B3-U0-G5
	Lumens per Watt	140	142	137
5NQ	4000K Lumens	9,207	13,722	26,917
	BUG Rating	B3-U0-G1	B3-U0-G2	B4-U0-G2
	Lumens per Watt	144	146	142
5MQ	4000K Lumens	9,319	13,887	27,244
	BUG Rating	B3-U0-G2	B4-U0-G2	B5-U0-G3
	Lumens per Watt	146	148	143
5WQ	4000K Lumens	9,474	14,119	27,697
	BUG Rating	B3-U0-G2	B4-U0-G2	B5-U0-G3
	Lumens per Watt	148	150	146
RW	4000K Lumens	9,510	14,173	27,802
	BUG Rating	B3-U0-G1	B3-U0-G2	B4-U0-G2
	Lumens per Watt	149	151	146

Job Name : SECHELT AQUATIC CENTRE  
 Manufacturer : STREETWORKS  
 Model Number : IFLD-S-SA3-C-940-1-44-P-AP-CC

Type :  
**M15**

## Streetworks

## IFLD Infrastructure Flood Series

### Energy and Performance Data (IFLD-S)

#### Current "A" (600 mA) - Continued

Number of Light Squares		2	3	6
Nominal Power (Watts)		64	94	190
Optics				
11	4000K Lumens	3,849	5,737	11,254
	BUG Rating	B5-U0-G0	B4-U0-G0	B4-U0-G0
	Lumens per Watt	60.3	60.5	59.4
22	4000K Lumens	6,816	10,158	19,927
	BUG Rating	B4-U0-G1	B4-U0-G1	B5-U0-G1
	Lumens per Watt	107	108	105
33	4000K Lumens	6,791	10,120	19,853
	BUG Rating	B4-U0-G1	B4-U0-G1	B5-U0-G1
	Lumens per Watt	106	108	104
44	4000K Lumens	6,858	10,220	20,049
	BUG Rating	B4-U0-G1	B4-U0-G1	B5-U0-G1
	Lumens per Watt	107	109	106
55	4000K Lumens	6,600	9,836	19,294
	BUG Rating	B3-U0-G1	B4-U0-G1	B5-U0-G1
	Lumens per Watt	103	105	102
66	4000K Lumens	6,921	10,315	20,234
	BUG Rating	B3-U0-G0	B3-U0-G1	B4-U0-G1
	Lumens per Watt	108	110	106

#### Current "B" (800 mA)

Number of Light Squares		2	3	6
Nominal Power (Watts)		82	122	245
Optics				
T2	4000K Lumens	11,403	16,995	33,338
	BUG Rating	B2-U0-G2	B3-U0-G3	B3-U0-G4
	Lumens per Watt	139	139	136
T2R	4000K Lumens	11,482	17,111	33,567
	BUG Rating	B2-U0-G2	B2-U0-G2	B3-U0-G4
	Lumens per Watt	140	140	137
T3	4000K Lumens	11,629	17,331	33,998
	BUG Rating	B2-U0-G2	B3-U0-G3	B3-U0-G4
	Lumens per Watt	142	142	139
T3R	4000K Lumens	11,215	16,714	32,787
	BUG Rating	B2-U0-G2	B2-U0-G3	B3-U0-G5
	Lumens per Watt	137	137	134

Job Name : SECHELT AQUATIC CENTRE  
 Manufacturer : STREETWORKS  
 Model Number : IFLD-S-SA3-C-940-1-44-P-AP-CC

Type :  
**M15**

## Streetworks

## IFLD Infrastructure Flood Series

### Energy and Performance Data (IFLD-S)

Current "B" (800 mA) - Continued

Number of Light Squares		2	3	6
Nominal Power (Watts)		82	122	245
Optics				
T4FT	4000K Lumens	11,697	17,432	34,196
	BUG Rating	B2-U0-G3	B3-U0-G3	B3-U0-G5
	Lumens per Watt	143	142	140
T4W	4000K Lumens	11,540	17,198	33,738
	BUG Rating	B2-U0-G2	B3-U0-G3	B3-U0-G5
	Lumens per Watt	141	141	138
SL2	4000K Lumens	11,384	16,965	33,280
	BUG Rating	B2-U0-G3	B3-U0-G3	B3-U0-G5
	Lumens per Watt	139	139	136
SL3	4000K Lumens	11,267	16,791	32,938
	BUG Rating	B2-U0-G2	B2-U0-G3	B3-U0-G4
	Lumens per Watt	137	137	134
SL4	4000K Lumens	11,044	16,459	32,288
	BUG Rating	B1-U0-G3	B2-U0-G4	B3-U0-G5
	Lumens per Watt	135	134	132
5NQ	4000K Lumens	11,387	16,970	33,290
	BUG Rating	B3-U0-G1	B3-U0-G2	B5-U0-G2
	Lumens per Watt	139	139	136
5MQ	4000K Lumens	11,525	17,176	33,693
	BUG Rating	B4-U0-G2	B4-U0-G2	B5-U0-G4
	Lumens per Watt	141	14	138
5WQ	4000K Lumens	11,717	17,462	34,254
	BUG Rating	B4-U0-G2	B4-U0-G2	B5-U0-G4
	Lumens per Watt	143	143	140
RW	4000K Lumens	11,761	17,528	34,384
	BUG Rating	B3-U0-G2	B4-U0-G2	B5-U0-G3
	Lumens per Watt	143	143	140

Job Name : SECHELT AQUATIC CENTRE  
 Manufacturer : STREETWORKS  
 Model Number : IFLD-S-SA3-C-940-1-44-P-AP-CC

Type :  
**M15**

## Streetworks

## IFLD Infrastructure Flood Series

### Energy and Performance Data (IFLD-S)

#### Current "B" (800 mA) - Continued

Number of Light Squares		2	3	6
Nominal Power (Watts)		82	122	245
<b>Optics</b>				
11	4000K Lumens	4,761	7,095	13,918
	BUG Rating	B3-U0-G0	B4-U0-G0	B5-U0-G0
	Lumens per Watt	57.8	58	56.8
22	4000K Lumens	8,430	12,563	24,645
	BUG Rating	B4-U0-G1	B5-U0-G1	B5-U0-G1
	Lumens per Watt	103	103	101
33	4000K Lumens	8,398	12,516	24,553
	BUG Rating	B4-U0-G1	B5-U0-G1	B5-U0-G1
	Lumens per Watt	102	102	100
44	4000K Lumens	8,482	12,640	24,796
	BUG Rating	B4-U0-G1	B5-U0-G1	B5-U0-G1
	Lumens per Watt	103	103	101
55	4000K Lumens	8,160	12,164	23,862
	BUG Rating	B4-U0-G1	B4-U0-G1	B5-U0-G1
	Lumens per Watt	10	99	97
66	4000K Lumens	8,560	12,757	25,025
	BUG Rating	B3-U0-G1	B4-U0-G1	B5-U0-G1
	Lumens per Watt	104	104	102

#### Current "C" (1050 mA)

Number of Light Squares		2	3	6
Nominal Power (Watts)		108	160	321
<b>Optics</b>				
T2	4000K Lumens	14,196	21,155	41,500
	BUG Rating	B2-U0-G2	B3-U0-G3	B4-U0-G5
	Lumens per Watt	131	132	129
T2R	4000K Lumens	14,293	21,301	41,785
	BUG Rating	B2-U0-G2	B2-U0-G3	B3-U0-G4
	Lumens per Watt	132	133	130
T3	4000K Lumens	14,477	21,574	42,321
	BUG Rating	B2-U0-G2	B3-U0-G3	B4-U0-G5
	Lumens per Watt	134	135	132
T3R	4000K Lumens	13,961	20,806	40,814
	BUG Rating	B2-U0-G3	B3-U0-G4	B3-U0-G5
	Lumens per Watt	129	130	127
T4FT	4000K Lumens	14,561	21,700	42,568
	BUG Rating	B2-U0-G3	B3-U0-G4	B3-U0-G5
	Lumens per Watt	135	136	133

Job Name : SECHELT AQUATIC CENTRE  
 Manufacturer : STREETWORKS  
 Model Number : IFLD-S-SA3-C-940-1-44-P-AP-CC

Type :  
**M15**

## Streetworks

## IFLD Infrastructure Flood Series

### Energy and Performance Data (IFLD-S)

Current "C" (1050 mA) - Continued

Number of Light Squares		2	3	6
Nominal Power (Watts)		108	160	321
Optics				
T4W	4000K Lumens	14,366	21,409	41,998
	BUG Rating	B2-U0-G3	B3-U0-G4	B4-U0-G5
	Lumens per Watt	133	134	131
SL2	4000K Lumens	14,171	21,118	41,427
	BUG Rating	B2-U0-G3	B3-U0-G4	B4-U0-G5
	Lumens per Watt	131	132	129
SL3	4000K Lumens	14,025	20,901	41,002
	BUG Rating	B2-U0-G2	B2-U0-G3	B3-U0-G5
	Lumens per Watt	130	131	128
SL4	4000K Lumens	13,749	20,489	40,193
	BUG Rating	B2-U0-G3	B2-U0-G4	B3-U0-G5
	Lumens per Watt	127	128	125
5NQ	4000K Lumens	14,175	21,125	41,440
	BUG Rating	B3-U0-G2	B4-U0-G2	B5-U0-G3
	Lumens per Watt	131	132	129
5MQ	4000K Lumens	14,347	21,381	41,942
	BUG Rating	B4-U0-G2	B4-U0-G2	B5-U0-G4
	Lumens per Watt	133	134	131
5WQ	4000K Lumens	14,586	21,737	42,640
	BUG Rating	B4-U0-G2	B5-U0-G3	B5-U0-G4
	Lumens per Watt	135	136	133
RW	4000K Lumens	14,641	21,819	42,802
	BUG Rating	B3-U0-G2	B4-U0-G2	B5-U0-G3
	Lumens per Watt	136	136	133
11	4000K Lumens	5,926	8,832	17,325
	BUG Rating	B4-U0-G0	B4-U0-G0	B5-U0-G0
	Lumens per Watt	54.8	54.9	53.9
22	4000K Lumens	10,494	15,639	30,679
	BUG Rating	B4-U0-G1	B5-U0-G1	B5-U0-G1
	Lumens per Watt	97	98	96
33	4000K Lumens	10,455	15,581	30,564
	BUG Rating	B4-U0-G1	B5-U0-G1	B5-U0-G1
	Lumens per Watt	97	97	95
44	4000K Lumens	10,558	15,735	30,866
	BUG Rating	B4-U0-G1	B5-U0-G1	B5-U0-G1
	Lumens per Watt	98	98	96
55	4000K Lumens	10,161	15,142	29,704
	BUG Rating	B4-U0-G1	B4-U0-G1	B5-U0-G1
	Lumens per Watt	94	95	93
66	4000K Lumens	10,656	15,880	31,151
	BUG Rating	B3-U0-G1	B4-U0-G1	B5-U0-G1
	Lumens per Watt	99	99	97

Job Name : SECHELT AQUATIC CENTRE  
 Manufacturer : STREETWORKS  
 Model Number : IFLD-S-SA3-C-940-1-44-P-AP-CC

Type :  
**M15**

## Streetworks

## IFLD Infrastructure Flood Series

### Energy and Performance Data (IFLD-S)

Current "D" (1200 mA) - Continued

Number of Light Squares		2	3	6
Nominal Power (Watts)		124	184	368
Optics				
T2	4000K Lumens	15,620	23,278	45,664
	BUG Rating	B3-U0-G3	B3-U0-G3	B4-U0-G5
	Lumens per Watt	126	127	124
T2R	4000K Lumens	15,727	23,438	45,978
	BUG Rating	B2-U0-G2	B3-U0-G3	B3-U0-G5
	Lumens per Watt	127	127	125
T3	4000K Lumens	15,929	23,739	46,568
	BUG Rating	B2-U0-G3	B3-U0-G4	B4-U0-G5
	Lumens per Watt	129	129	126
T3R	4000K Lumens	15,370	22,893	44,910
	BUG Rating	B2-U0-G3	B3-U0-G4	B3-U0-G5
	Lumens per Watt	124	124	122
T4FT	4000K Lumens	16,022	23,877	46,840
	BUG Rating	B2-U0-G3	B3-U0-G4	B4-U0-G5
	Lumens per Watt	129	130	127
T4W	4000K Lumens	15,807	23,557	46,212
	BUG Rating	B3-U0-G3	B3-U0-G4	B4-U0-G5
	Lumens per Watt	128	128	126
SL2	4000K Lumens	15,593	23,237	45,585
	BUG Rating	B3-U0-G3	B3-U0-G4	B4-U0-G5
	Lumens per Watt	126	126	124
SL3	4000K Lumens	15,432	22,998	45,116
	BUG Rating	B2-U0-G3	B3-U0-G4	B3-U0-G5
	Lumens per Watt	125	125	123
SL4	4000K Lumens	15,128	22,545	44,226
	BUG Rating	B2-U0-G3	B2-U0-G4	B3-U0-G5
	Lumens per Watt	122	123	120
5NQ	4000K Lumens	15,597	23,244	45,599
	BUG Rating	B3-U0-G2	B4-U0-G2	B5-U0-G3
	Lumens per Watt	126	126	124
5MQ	4000K Lumens	15,787	23,526	46,152
	BUG Rating	B4-U0-G2	B5-U0-G3	B5-U0-G4
	Lumens per Watt	127	128	125
5WQ	4000K Lumens	16,049	23,918	46,920
	BUG Rating	B4-U0-G2	B5-U0-G3	B5-U0-G5
	Lumens per Watt	130	130	127
RW	4000K Lumens	16,110	24,008	47,098
	BUG Rating	B4-U0-G2	B4-U0-G2	B5-U0-G4
	Lumens per Watt	130	130	128

Job Name : SECHELT AQUATIC CENTRE  
 Manufacturer : STREETWORKS  
 Model Number : IFLD-S-SA3-C-940-1-44-P-AP-CC

Type :  
**M15**

## Streetworks

## IFLD Infrastructure Flood Series

### Energy and Performance Data (IFLD-S)

#### Current "D" (1200 mA) - Continued

Number of Light Squares		2	3	6
Nominal Power (Watts)		124	184	368
Optics				
11	4000K Lumens	6,521	9,718	19,064
	BUG Rating	B4-U0-G0	B4-U0-G0	B5-U0-G0
	Lumens per Watt	52.6	52.8	51.8
22	4000K Lumens	11,547	17,208	33,758
	BUG Rating	B5-U0-G1	B5-U0-G1	B5-U0-G1
	Lumens per Watt	93	94	92
33	4000K Lumens	11,504	17,144	33,631
	BUG Rating	B5-U0-G1	B5-U0-G1	B5-U0-G1
	Lumens per Watt	93	93	91
44	4000K Lumens	11,618	17,313	33,964
	BUG Rating	B4-U0-G1	B5-U0-G1	B5-U0-G1
	Lumens per Watt	94	94	92
55	4000K Lumens	11,180	16,661	32,685
	BUG Rating	B4-U0-G1	B5-U0-G1	B5-U0-G1
	Lumens per Watt	90	91	89
66	4000K Lumens	11,725	17,473	34,278
	BUG Rating	B4-U0-G1	B4-U0-G1	B5-U0-G2
	Lumens per Watt	95	95	93

#### Current "E" (1500 mA)

Number of Light Squares		2	3	6
Nominal Power (Watts)		156	232	464
Optics				
T2	4000K Lumens	18,077	26,939	52,846
	BUG Rating	B3-U0-G3	B3-U0-G4	B4-U0-G5
	Lumens per Watt	116	116	114
T2R	4000K Lumens	18,201	27,125	53,210
	BUG Rating	B2-U0-G2	B3-U0-G3	B3-U0-G5
	Lumens per Watt	117	117	115
T3	4000K Lumens	18,435	27,473	53,893
	BUG Rating	B3-U0-G3	B3-U0-G4	B4-U0-G5
	Lumens per Watt	118	118	116
T3R	4000K Lumens	17,778	26,495	51,974
	BUG Rating	B2-U0-G3	B3-U0-G4	B4-U0-G5
	Lumens per Watt	114	114	112
T4FT	4000K Lumens	18,542	27,263	53,481
	BUG Rating	B3-U0-G3	B3-U0-G4	B4-U0-G5
	Lumens per Watt	119	117	115
T4W	4000K Lumens	18,294	27,263	53,481
	BUG Rating	B3-U0-G4	B3-U0-G4	B4-U0-G5
	Lumens per Watt	117	117	115
SL2	4000K Lumens	18,045	26,892	52,754
	BUG Rating	B3-U0-G3	B3-U0-G4	B4-U0-G5
	Lumens per Watt	116	116	114

Job Name : SECHELT AQUATIC CENTRE  
 Manufacturer : STREETWORKS  
 Model Number : IFLD-S-SA3-C-940-1-44-P-AP-CC

Type :  
**M15**

## Streetworks

## IFLD Infrastructure Flood Series

### Energy and Performance Data (IFLD-S)

Current "E" (1500 mA)

Number of Light Squares		2	3	6
Nominal Power (Watts)		156	232	464
Optics				
SL3	4000K Lumens	17,860	26,616	52,212
	BUG Rating	B2-U0-G3	B3-U0-G4	B3-U0-G5
	Lumens per Watt	114	115	112
SL4	4000K Lumens	17,507	26,091	51,182
	BUG Rating	B2-U0-G4	B3-U0-G5	B3-U0-G5
	Lumens per Watt	112	112	110
5NQ	4000K Lumens	18,051	26,901	52,771
	BUG Rating	B4-U0-G2	B4-U0-G2	B5-U0-G4
	Lumens per Watt	116	116	114
5MQ	4000K Lumens	18,269	27,227	53,410
	BUG Rating	B4-U0-G2	B5-U0-G3	B5-U0-G5
	Lumens per Watt	117	117	115
5WQ	4000K Lumens	18,574	27,680	54,299
	BUG Rating	B4-U0-G2	B5-U0-G3	B5-U0-G5
	Lumens per Watt	119	119	117
RW	4000K Lumens	18,644	27,785	54,505
	BUG Rating	B4-U0-G2	B4-U0-G2	B5-U0-G4
	Lumens per Watt	119	120	117
11	4000K Lumens	7,547	11,247	22,062
	BUG Rating	B4-U0-G0	B4-U0-G0	B5-U0-G0
	Lumens per Watt	48.3	48.5	47.5
22	4000K Lumens	13,363	19,915	39,067
	BUG Rating	B5-U0-G1	B5-U0-G1	B5-U0-G1
	Lumens per Watt	86	86	84
33	4000K Lumens	13,313	19,841	38,921
	BUG Rating	B5-U0-G1	B5-U0-G1	B5-U0-G1
	Lumens per Watt	85	85	84
44	4000K Lumens	13,445	20,037	39,306
	BUG Rating	B5-U0-G1	B5-U0-G1	B5-U0-G1
	Lumens per Watt	86	86	85
55	4000K Lumens	12,939	19,282	37,826
	BUG Rating	B4-U0-G1	B5-U0-G1	B5-U0-G1
	Lumens per Watt	83	83	81
66	4000K Lumens	13,569	20,222	39,669
	BUG Rating	B4-U0-G1	B4-U0-G1	B5-U0-G1
	Lumens per Watt	87	87	85

Job Name : SECHELT AQUATIC CENTRE  
 Manufacturer : STREETWORKS  
 Model Number : IFLD-S-SA3-C-940-1-44-P-AP-CC

Type :  
**M15**

## Streetworks

## IFLD Infrastructure Flood Series

### Energy and Performance Data (IFLD-M)

Current "A" (600 mA)

Number of Light Squares		4
Nominal Power (Watts)		129
Optics		
T2	4000K Lumens	18,444
	BUG Rating	B3-U0-G3
	Lumens per Watt	143
T2R	4000K Lumens	18,571
	BUG Rating	B2-U0-G2
	Lumens per Watt	144
T3	4000K Lumens	18,809
	BUG Rating	B3-U0-G3
	Lumens per Watt	146
T3R	4000K Lumens	18,140
	BUG Rating	B2-U0-G3
	Lumens per Watt	141
T4FT	4000K Lumens	18,919
	BUG Rating	B3-U0-G3
	Lumens per Watt	147
T4W	4000K Lumens	18,666
	BUG Rating	B3-U0-G4
	Lumens per Watt	145
SL2	4000K Lumens	18,412
	BUG Rating	B3-U0-G3
	Lumens per Watt	143
SL3	4000K Lumens	18,223
	BUG Rating	B2-U0-G3
	Lumens per Watt	142
SL4	4000K Lumens	17,863
	BUG Rating	B2-U0-G4
	Lumens per Watt	139
5NQ	4000K Lumens	18,418
	BUG Rating	B4-U0-G2
	Lumens per Watt	143
5MQ	4000K Lumens	18,641
	BUG Rating	B4-U0-G2
	Lumens per Watt	145
5WQ	4000K Lumens	18,951
	BUG Rating	B4-U0-G2
	Lumens per Watt	147
RW	4000K Lumens	19023.1
	BUG Rating	B4-U0-G2
	Lumens per Watt	148

Current "A" (600 mA)

Number of Light Squares		4
Nominal Power (Watts)		64
Optics		
11	4000K Lumens	7,438
	BUG Rating	B4-U0-G0
	Lumens per Watt	59.9
22	4000K Lumens	13,635
	BUG Rating	B5-U0-G1
	Lumens per Watt	106
33	4000K Lumens	13,584
	BUG Rating	B5-U0-G1
	Lumens per Watt	106
44	4000K Lumens	13,718
	BUG Rating	B5-U0-G1
	Lumens per Watt	107
55	4000K Lumens	13,202
	BUG Rating	B4-U0-G1
	Lumens per Watt	103
66	4000K Lumens	13,845
	BUG Rating	B4-U0-G1
	Lumens per Watt	108

Job Name : SECHELT AQUATIC CENTRE  
 Manufacturer : STREETWORKS  
 Model Number : IFLD-S-SA3-C-940-1-44-P-AP-CC

Type :  
**M15**

## Streetworks

## IFLD Infrastructure Flood Series

### Energy and Performance Data (IFLD-M)

Current "B" (800 mA)

Number of Light Squares		4
Nominal Power (Watts)		166
Optics		
T2	4000K Lumens	22,811
	BUG Rating	B3-U0-G3
	Lumens per Watt	137
T2R	4000K Lumens	22,968
	BUG Rating	B3-U0-G3
	Lumens per Watt	138
T3	4000K Lumens	23,262
	BUG Rating	B3-U0-G3
	Lumens per Watt	140
T3R	4000K Lumens	22,434
	BUG Rating	B3-U0-G4
	Lumens per Watt	135
T4FT	4000K Lumens	23,398
	BUG Rating	B3-U0-G4
	Lumens per Watt	141
T4W	4000K Lumens	23,085
	BUG Rating	B3-U0-G4
	Lumens per Watt	139
SL2	4000K Lumens	22,771
	BUG Rating	B3-U0-G4
	Lumens per Watt	137
SL3	4000K Lumens	22,537
	BUG Rating	B3-U0-G4
	Lumens per Watt	136
SL4	4000K Lumens	22,092
	BUG Rating	B2-U0-G4
	Lumens per Watt	133
5NQ	4000K Lumens	22,778
	BUG Rating	B4-U0-G2
	Lumens per Watt	137
5MQ	4000K Lumens	23,054
	BUG Rating	B5-U0-G3
	Lumens per Watt	139
5WQ	4000K Lumens	23,438
	BUG Rating	B5-U0-G3
	Lumens per Watt	141
RW	4000K Lumens	23,527
	BUG Rating	B4-U0-G2
	Lumens per Watt	142

Current "B" (800 mA)

Number of Light Squares		4
Nominal Power (Watts)		166
Optics		
11	4000K Lumens	9,199
	BUG Rating	B4-U0-G0
	Lumens per Watt	57.4
22	4000K Lumens	16,863
	BUG Rating	B5-U0-G1
	Lumens per Watt	102
33	4000K Lumens	16,800
	BUG Rating	B5-U0-G1
	Lumens per Watt	101
44	4000K Lumens	16,800
	BUG Rating	B5-U0-G1
	Lumens per Watt	101
55	4000K Lumens	16,327
	BUG Rating	B5-U0-G1
	Lumens per Watt	98
66	4000K Lumens	17,123
	BUG Rating	B4-U0-G1
	Lumens per Watt	103

Job Name : SECHELT AQUATIC CENTRE  
 Manufacturer : STREETWORKS  
 Model Number : IFLD-S-SA3-C-940-1-44-P-AP-CC

Type :  
**M15**

## Streetworks

## IFLD Infrastructure Flood Series

### Energy and Performance Data (IFLD-M)

Current "C" (1050 mA)

Number of Light Squares		4
Nominal Power (Watts)		218
Optics		
T2	4000K Lumens	28,396
	BUG Rating	B3-U0-G4
	Lumens per Watt	130
T2R	4000K Lumens	28,591
	BUG Rating	B3-U0-G4
	Lumens per Watt	131
T3	4000K Lumens	28,958
	BUG Rating	B3-U0-G4
	Lumens per Watt	133
T3R	4000K Lumens	27,927
	BUG Rating	B3-U0-G4
	Lumens per Watt	128
T4FT	4000K Lumens	29,127
	BUG Rating	B3-U0-G4
	Lumens per Watt	134
T4W	4000K Lumens	28,737
	BUG Rating	B3-U0-G4
	Lumens per Watt	132
SL2	4000K Lumens	28,346
	BUG Rating	B3-U0-G4
	Lumens per Watt	130
SL3	4000K Lumens	28,055
	BUG Rating	B3-U0-G4
	Lumens per Watt	129
SL4	4000K Lumens	27,502
	BUG Rating	B3-U0-G5
	Lumens per Watt	126
5NQ	4000K Lumens	28,355
	BUG Rating	B4-U0-G2
	Lumens per Watt	130
5MQ	4000K Lumens	28,699
	BUG Rating	B5-U0-G3
	Lumens per Watt	132
5WQ	4000K Lumens	29,177
	BUG Rating	B5-U0-G3
	Lumens per Watt	134
RW	4000K Lumens	29,287
	BUG Rating	B4-U0-G3
	Lumens per Watt	134

Current "C" (1050 mA)

Number of Light Squares		4
Nominal Power (Watts)		218
Optics		
11	4000K Lumens	11,452
	BUG Rating	B5-U0-G0
	Lumens per Watt	54.4
22	4000K Lumens	20,992
	BUG Rating	B5-U0-G0
	Lumens per Watt	96
33	4000K Lumens	20,913
	BUG Rating	B5-U0-G0
	Lumens per Watt	96
44	4000K Lumens	21,120
	BUG Rating	B5-U0-G0
	Lumens per Watt	97
55	4000K Lumens	20,325
	BUG Rating	B5-U0-G0
	Lumens per Watt	93
66	4000K Lumens	21,315
	BUG Rating	B4-U0-G1
	Lumens per Watt	98

Job Name : SECHELT AQUATIC CENTRE  
 Manufacturer : STREETWORKS  
 Model Number : IFLD-S-SA3-C-940-1-44-P-AP-CC

Type :  
**M15**

## Streetworks

## IFLD Infrastructure Flood Series

### Energy and Performance Data (IFLD-M)

Current "D" (1200 mA)

Number of Light Squares		4
Nominal Power (Watts)		250
Optics		
T2	4000K Lumens	31,245
	BUG Rating	B3-U0-G4
	Lumens per Watt	125
T2R	4000K Lumens	31,459
	BUG Rating	B3-U0-G4
	Lumens per Watt	126
T3	4000K Lumens	31,863
	BUG Rating	B3-U0-G4
	Lumens per Watt	128
T3R	4000K Lumens	30,729
	BUG Rating	B3-U0-G4
	Lumens per Watt	123
T4FT	4000K Lumens	32,049
	BUG Rating	B3-U0-G5
	Lumens per Watt	128
T4W	4000K Lumens	31,620
	BUG Rating	B3-U0-G5
	Lumens per Watt	127
SL2	4000K Lumens	31,190
	BUG Rating	B3-U0-G5
	Lumens per Watt	125
SL3	4000K Lumens	30,870
	BUG Rating	B3-U0-G4
	Lumens per Watt	124
SL4	4000K Lumens	30,261
	BUG Rating	B3-U0-G5
	Lumens per Watt	121
5NQ	4000K Lumens	31,200
	BUG Rating	B5-U0-G2
	Lumens per Watt	125
5MQ	4000K Lumens	31,578
	BUG Rating	B5-U0-G3
	Lumens per Watt	126
5WQ	4000K Lumens	32,104
	BUG Rating	B5-U0-G4
	Lumens per Watt	129
RW	4000K Lumens	32,225
	BUG Rating	B5-U0-G3
	Lumens per Watt	129

Current "D" (1200 mA)

Number of Light Squares		4
Nominal Power (Watts)		250
Optics		
11	4000K Lumens	12,601
	BUG Rating	B5-U0-G0
	Lumens per Watt	52.3
22	4000K Lumens	23,098
	BUG Rating	B5-U0-G1
	Lumens per Watt	93
33	4000K Lumens	23,011
	BUG Rating	B5-U0-G1
	Lumens per Watt	92
44	4000K Lumens	23,239
	BUG Rating	B5-U0-G1
	Lumens per Watt	93
55	4000K Lumens	22,364
	BUG Rating	B5-U0-G1
	Lumens per Watt	90
66	4000K Lumens	23,454
	BUG Rating	B5-U0-G1
	Lumens per Watt	94

Job Name : SECHELT AQUATIC CENTRE  
 Manufacturer : STREETWORKS  
 Model Number : IFLD-S-SA3-C-940-1-44-P-AP-CC

Type :  
**M15**

## Streetworks

## IFLD Infrastructure Flood Series

### Energy and Performance Data (IFLD-M)

Current "E" (1500 mA)

Number of Light Squares		4
Nominal Power (Watts)		315
Optics		
T2	4000K Lumens	36,159
	BUG Rating	B3-U0-G4
	Lumens per Watt	115
T2R	4000K Lumens	36,408
	BUG Rating	B3-U0-G4
	Lumens per Watt	116
T3	4000K Lumens	36,875
	BUG Rating	B3-U0-G4
	Lumens per Watt	117
T3R	4000K Lumens	35,562
	BUG Rating	B3-U0-G5
	Lumens per Watt	113
T4FT	4000K Lumens	37,090
	BUG Rating	B3-U0-G5
	Lumens per Watt	118
T4W	4000K Lumens	36,593
	BUG Rating	B3-U0-G5
	Lumens per Watt	116
SL2	4000K Lumens	36,096
	BUG Rating	B4-U0-G5
	Lumens per Watt	115
SL3	4000K Lumens	35,725
	BUG Rating	B3-U0-G5
	Lumens per Watt	113
SL4	4000K Lumens	35,020
	BUG Rating	B3-U0-G5
	Lumens per Watt	111
5NQ	4000K Lumens	36,107
	BUG Rating	B5-U0-G3
	Lumens per Watt	115
5MQ	4000K Lumens	36,545
	BUG Rating	B5-U0-G4
	Lumens per Watt	116
5WQ	4000K Lumens	37,153
	BUG Rating	B5-U0-G4
	Lumens per Watt	118
RW	4000K Lumens	37,294
	BUG Rating	B5-U0-G3
	Lumens per Watt	118

Current "E" (1500 mA)

Number of Light Squares		4
Nominal Power (Watts)		315
Optics		
11	4000K Lumens	14,583
	BUG Rating	B5-U0-G0
	Lumens per Watt	48
22	4000K Lumens	26,731
	BUG Rating	B5-U0-G1
	Lumens per Watt	85
33	4000K Lumens	26,631
	BUG Rating	B5-U0-G1
	Lumens per Watt	85
44	4000K Lumens	26,894
	BUG Rating	B5-U0-G1
	Lumens per Watt	85
55	4000K Lumens	25,881
	BUG Rating	B5-U0-G1
	Lumens per Watt	82
66	4000K Lumens	27,143
	BUG Rating	B5-U0-G1
	Lumens per Watt	86

Job Name : SECHELT AQUATIC CENTRE  
 Manufacturer : STREETWORKS  
 Model Number : IFLD-S-SA3-C-940-1-44-P-AP-CC

Type :  
**M15**

## Streetworks

## IFLD Infrastructure Flood Series

### Energy and Performance Data (IFLD-L)

Current "A" (600 mA)

Number of Light Squares		7	8
Nominal Power (Watts)		218	248
Optics			
T2	4000K Lumens	31,261	34,213
	BUG Rating	B3-U0-G4	B3-U0-G4
	Lumens per Watt	144	138
T2R	4000K Lumens	31,476	34,448
	BUG Rating	B3-U0-G4	B3-U0-G4
	Lumens per Watt	145	139
T3	4000K Lumens	31,880	34,891
	BUG Rating	B3-U0-G4	B3-U0-G4
	Lumens per Watt	147	141
T3R	4000K Lumens	30,745	33,648
	BUG Rating	B3-U0-G4	B3-U0-G5
	Lumens per Watt	141	136
T4FT	4000K Lumens	32,066	35,094
	BUG Rating	B3-U0-G5	B3-U0-G5
	Lumens per Watt	147	142
T4W	4000K Lumens	31,636	34,624
	BUG Rating	B3-U0-G5	B3-U0-G5
	Lumens per Watt	145	140
SL2	4000K Lumens	31,207	34,154
	BUG Rating	B3-U0-G5	B3-U0-G5
	Lumens per Watt	143	138
SL3	4000K Lumens	30,886	33,803
	BUG Rating	B3-U0-G4	B3-U0-G4
	Lumens per Watt	142	136
SL4	4000K Lumens	30,277	33,136
	BUG Rating	B3-U0-G5	B3-U0-G5
	Lumens per Watt	139	134
5NQ	4000K Lumens	31,216	34,164
	BUG Rating	B5-U0-G2	B5-U0-G3
	Lumens per Watt	143	138
5MQ	4000K Lumens	31,595	34,578
	BUG Rating	B5-U0-G3	B5-U0-G4
	Lumens per Watt	145	140
5WQ	4000K Lumens	32,121	35,154
	BUG Rating	B5-U0-G4	B5-U0-G4
	Lumens per Watt	148	142
RW	4000K Lumens	32,242	35,287
	BUG Rating	B5-U0-G3	B5-U0-G3
	Lumens per Watt	148	142

Current "A" (600 mA)

Number of Light Squares		7	8
Nominal Power (Watts)		218	248
Optics			
11	4000K Lumens	13,051	14,050
	BUG Rating	B5-U0-G0	B5-U0-G0
	Lumens per Watt	60	56.7
22	4000K Lumens	23,110	24,879
	BUG Rating	B5-U0-G1	B5-U0-G1
	Lumens per Watt	106	100
33	4000K Lumens	23,023	24,786
	BUG Rating	B5-U0-G1	B5-U0-G1
	Lumens per Watt	106	100
44	4000K Lumens	23,251	25,031
	BUG Rating	B5-U0-G1	B5-U0-G1
	Lumens per Watt	107	101
55	4000K Lumens	22,376	24,089
	BUG Rating	B5-U0-G1	B5-U0-G1
	Lumens per Watt	103	97
66	4000K Lumens	23,466	25,263
	BUG Rating	B5-U0-G1	B5-U0-G1
	Lumens per Watt	108	102

Job Name : SECHELT AQUATIC CENTRE  
 Manufacturer : STREETWORKS  
 Model Number : IFLD-S-SA3-C-940-1-44-P-AP-CC

Type :  
**M15**

## Streetworks

## IFLD Infrastructure Flood Series

### Energy and Performance Data (IFLD-L)

Current "B" (800 mA)

Number of Light Squares		7	8
Nominal Power (Watts)		281	320
Optics			
T2	4000K Lumens	35,567	40,648
	BUG Rating	B3-U0-G4	B4-U0-G5
	Lumens per Watt	127	127
T2R	4000K Lumens	35811.7	40927
	BUG Rating	B3-U0-G4	B3-U0-G4
	Lumens per Watt	127	128
T3	4000K Lumens	36,271	41,452
	BUG Rating	B3-U0-G4	B4-U0-G5
	Lumens per Watt	129	130
T3R	4000K Lumens	34,980	39,976
	BUG Rating	B3-U0-G5	B3-U0-G5
	Lumens per Watt	124	125
T4FT	4000K Lumens	36,483	41,694
	BUG Rating	B3-U0-G5	B3-U0-G5
	Lumens per Watt	130	130
T4W	4000K Lumens	35,994	41,135
	BUG Rating	B3-U0-G5	B4-U0-G5
	Lumens per Watt	128	129
SL2	4000K Lumens	35,505	40,577
	BUG Rating	B3-U0-G5	B4-U0-G5
	Lumens per Watt	126	127
SL3	4000K Lumens	35,140	40,160
	BUG Rating	B3-U0-G4	B3-U0-G5
	Lumens per Watt	125	125
SL4	4000K Lumens	34,447	39,368
	BUG Rating	B3-U0-G5	B3-U0-G5
	Lumens per Watt	123	123
5NQ	4000K Lumens	35,516	40,589
	BUG Rating	B5-U0-G3	B5-U0-G3
	Lumens per Watt	126	127
5MQ	4000K Lumens	35,947	41,081
	BUG Rating	B5-U0-G4	B5-U0-G4
	Lumens per Watt	128	128
5WQ	4000K Lumens	36,545	41,765
	BUG Rating	B5-U0-G4	B5-U0-G4
	Lumens per Watt	130	131
RW	4000K Lumens	36,684	41,923
	BUG Rating	B5-U0-G3	B5-U0-G3
	Lumens per Watt	131	131

Current "B" (800 mA)

Number of Light Squares		7	8
Nominal Power (Watts)		281	320
Optics			
11	4000K Lumens	14,849	16,693
	BUG Rating	B5-U0-G0	B5-U0-G0
	Lumens per Watt	52.8	52.2
22	4000K Lumens	26,293	29,558
	BUG Rating	B5-U0-G1	B5-U0-G1
	Lumens per Watt	94	92
33	4000K Lumens	26,195	29,448
	BUG Rating	B5-U0-G1	B5-U0-G1
	Lumens per Watt	93	92
44	4000K Lumens	26,454	29,739
	BUG Rating	B5-U0-G1	B5-U0-G1
	Lumens per Watt	94	93
55	4000K Lumens	25,458	28,620
	BUG Rating	B5-U0-G1	B5-U0-G1
	Lumens per Watt	91	89
66	4000K Lumens	26,698	30,014
	BUG Rating	B5-U0-G1	B5-U0-G1
	Lumens per Watt	95	94

Job Name : SECHELT AQUATIC CENTRE  
 Manufacturer : STREETWORKS  
 Model Number : IFLD-S-SA3-C-940-1-44-P-AP-CC

Type :  
**M15**

## Streetworks

## IFLD Infrastructure Flood Series

### Energy and Performance Data (IFLD-L)

#### Current "C" (1050 mA)

Number of Light Squares		7	8
Nominal Power (Watts)		369	420
Optics			
T2	4000K Lumens	44,275	50,600
	BUG Rating	B4-U0-G5	B4-U0-G5
	Lumens per Watt	120	120
T2R	4000K Lumens	44,579	50,948
	BUG Rating	B3-U0-G4	B3-U0-G5
	Lumens per Watt	121	121
T3	4000K Lumens	45,152	51,602
	BUG Rating	B4-U0-G5	B4-U0-G5
	Lumens per Watt	122	123
T3R	4000K Lumens	43,544	49,765
	BUG Rating	B3-U0-G5	B4-U0-G5
	Lumens per Watt	118	118
T4FT	4000K Lumens	45,415	51,903
	BUG Rating	B4-U0-G5	B4-U0-G5
	Lumens per Watt	123	123
T4W	4000K Lumens	44,806	51,208
	BUG Rating	B4-U0-G5	B4-U0-G5
	Lumens per Watt	121	122
SL2	4000K Lumens	44,198	50,512
	BUG Rating	B4-U0-G5	B4-U0-G5
	Lumens per Watt	120	120
SL3	4000K Lumens	43,744	49,993
	BUG Rating	B3-U0-G5	B3-U0-G5
	Lumens per Watt	119	119
SL4	4000K Lumens	42,881	49,007
	BUG Rating	B3-U0-G5	B3-U0-G5
	Lumens per Watt	116	117
5NQ	4000K Lumens	44,212	50,528
	BUG Rating	B5-U0-G3	B5-U0-G3
	Lumens per Watt	120	120
5MQ	4000K Lumens	44,747	51,140
	BUG Rating	B5-U0-G4	B5-U0-G4
	Lumens per Watt	121	122
5WQ	4000K Lumens	45,492	51,991
	BUG Rating	B5-U0-G4	B5-U0-G5
	Lumens per Watt	123	124
RW	4000K Lumens	45,665	52,189
	BUG Rating	B5-U0-G4	B5-U0-G4
	Lumens per Watt	124	124

#### Current "C" (1050 mA)

Number of Light Squares		7	8
Nominal Power (Watts)		369	420
Optics			
11	4000K Lumens	18,484	20,780
	BUG Rating	B5-U0-G0	B5-U0-G0
	Lumens per Watt	50.1	49.4
22	4000K Lumens	32,731	36,796
	BUG Rating	B5-U0-G1	B5-U0-G1
	Lumens per Watt	89	88
33	4000K Lumens	32,608	36,658
	BUG Rating	B5-U0-G1	B5-U0-G1
	Lumens per Watt	88	87
44	4000K Lumens	32,930	37,021
	BUG Rating	B5-U0-G1	B5-U0-G1
	Lumens per Watt	89	88
55	4000K Lumens	31,691	35,627
	BUG Rating	B5-U0-G1	B5-U0-G1
	Lumens per Watt	86	85
66	4000K Lumens	33,235	37,363
	BUG Rating	B5-U0-G1	B5-U0-G1
	Lumens per Watt	90	89

Job Name : SECHELT AQUATIC CENTRE  
 Manufacturer : STREETWORKS  
 Model Number : IFLD-S-SA3-C-940-1-44-P-AP-CC

Type :  
**M15**

## Streetworks

## IFLD Infrastructure Flood Series

### Energy and Performance Data (IFLD-L)

Current "D" (1200 mA)

Number of Light Squares		7	8
Nominal Power (Watts)		423	488
Optics			
T2	4000K Lumens	48,718	55,678
	BUG Rating	B4-U0-G5	B4-U0-G5
	Lumens per Watt	115	114
T2R	4000K Lumens	49,053	56,060
	BUG Rating	B3-U0-G5	B4-U0-G5
	Lumens per Watt	116	115
T3	4000K Lumens	49,682	56,780
	BUG Rating	B4-U0-G5	B4-U0-G5
	Lumens per Watt	118	116
T3R	4000K Lumens	47,913	54,758
	BUG Rating	B3-U0-G5	B4-U0-G5
	Lumens per Watt	113	112
T4FT	4000K Lumens	49,972	57,111
	BUG Rating	B4-U0-G5	B4-U0-G5
	Lumens per Watt	118	117
T4W	4000K Lumens	49,302	56,346
	BUG Rating	B4-U0-G5	B4-U0-G5
	Lumens per Watt	117	115
SL2	4000K Lumens	48,633	55,580
	BUG Rating	B4-U0-G5	B4-U0-G5
	Lumens per Watt	115	114
SL3	4000K Lumens	48,133	55,009
	BUG Rating	B3-U0-G5	B3-U0-G5
	Lumens per Watt	114	113
SL4	4000K Lumens	47,184	53,924
	BUG Rating	B3-U0-G5	B3-U0-G5
	Lumens per Watt	112	111
5NQ	4000K Lumens	48,648	55,598
	BUG Rating	B5-U0-G3	B5-U0-G4
	Lumens per Watt	115	114
5MQ	4000K Lumens	49,237	56,272
	BUG Rating	B5-U0-G4	B5-U0-G5
	Lumens per Watt	117	115
5WQ	4000K Lumens	50,057	57,208
	BUG Rating	B5-U0-G5	B5-U0-G5
	Lumens per Watt	118	117
RW	4000K Lumens	50,247	57,425
	BUG Rating	B5-U0-G4	B5-U0-G4
	Lumens per Watt	119	118

Current "D" (1200 mA)

Number of Light Squares		7	8
Nominal Power (Watts)		423	488
Optics			
11	4000K Lumens	20,339	22,865
	BUG Rating	B5-U0-G0	B5-U0-G0
	Lumens per Watt	48.1	46.8
22	4000K Lumens	36,015	40,488
	BUG Rating	B5-U0-G1	B5-U0-G1
	Lumens per Watt	85	83
33	4000K Lumens	35,880	40,337
	BUG Rating	B5-U0-G1	B5-U0-G1
	Lumens per Watt	85	83
44	4000K Lumens	36,235	40,735
	BUG Rating	B5-U0-G1	B5-U0-G1
	Lumens per Watt	86	83
55	4000K Lumens	34,871	39,202
	BUG Rating	B5-U0-G1	B5-U0-G1
	Lumens per Watt	83	80
66	4000K Lumens	36,570	41,112
	BUG Rating	B5-U0-G1	B5-U0-G1
	Lumens per Watt	87	84

Job Name : SECHELT AQUATIC CENTRE  
 Manufacturer : STREETWORKS  
 Model Number : IFLD-S-SA3-C-940-1-44-P-AP-CC

Type :  
**M15**

## Streetworks

## IFLD Infrastructure Flood Series

### Energy and Performance Data (IFLD-L)

Current "E" (1500 mA)

Number of Light Squares		7
Nominal Power (Watts)		533
Optics		
T2	4000K Lumens	56,380
	BUG Rating	B4-U0-G5
	Lumens per Watt	106
T2R	4000K Lumens	56,768
	BUG Rating	B4-U0-G5
	Lumens per Watt	107
T3	4000K Lumens	57,497
	BUG Rating	B4-U0-G5
	Lumens per Watt	108
T3R	4000K Lumens	55,449
	BUG Rating	B4-U0-G5
	Lumens per Watt	104
T4FT	4000K Lumens	57,832
	BUG Rating	B4-U0-G5
	Lumens per Watt	109
T4W	4000K Lumens	57,057
	BUG Rating	B4-U0-G5
	Lumens per Watt	107
SL2	4000K Lumens	56,282
	BUG Rating	B4-U0-G5
	Lumens per Watt	106
SL3	4000K Lumens	55,704
	BUG Rating	B4-U0-G5
	Lumens per Watt	105
SL4	4000K Lumens	54,605
	BUG Rating	B3-U0-G5
	Lumens per Watt	103
5NQ	4000K Lumens	56,300
	BUG Rating	B5-U0-G4
	Lumens per Watt	106
5MQ	4000K Lumens	56,982
	BUG Rating	B5-U0-G5
	Lumens per Watt	107
5WQ	4000K Lumens	57,930
	BUG Rating	B5-U0-G5
	Lumens per Watt	109
RW	4000K Lumens	58,150
	BUG Rating	B5-U0-G4
	Lumens per Watt	109

Current "E" (1500 mA)

Number of Light Squares		7
Nominal Power (Watts)		533
Optics		
11	4000K Lumens	23,538
	BUG Rating	B5-U0-G0
	Lumens per Watt	44.2
22	4000K Lumens	41,680
	BUG Rating	B5-U0-G1
	Lumens per Watt	78
33	4000K Lumens	41,523
	BUG Rating	B5-U0-G1
	Lumens per Watt	78
44	4000K Lumens	41,934
	BUG Rating	B5-U0-G1
	Lumens per Watt	79
55	4000K Lumens	40,355
	BUG Rating	B5-U0-G1
	Lumens per Watt	76
66	4000K Lumens	42,322
	BUG Rating	B5-U0-G1
	Lumens per Watt	79

Job Name : SECHELT AQUATIC CENTRE  
 Manufacturer : STREETWORKS  
 Model Number : IFLD-S-SA3-C-940-1-55-P-AP-CC

Type :  
**W15**

Project		Catalog #		Type	
Prepared by		Notes		Date	



## Streetworks

### IFLD Infrastructure Flood Series

Floodlight & Sign Light Luminaire

#### Product Features



#### Interactive Menu

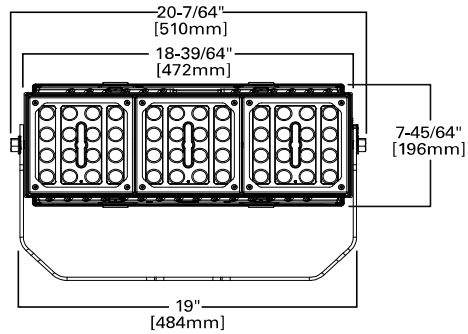
- Ordering Information page 2
- Product Specifications page 2
- Mounting Details page 3
- Optical Distributions page 5
- Energy and Performance Data page 6

#### Product Certifications

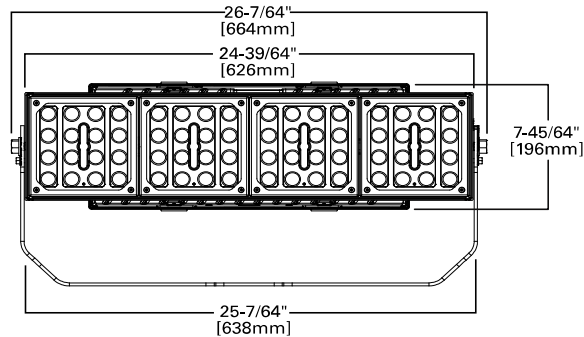


#### Dimensional Details

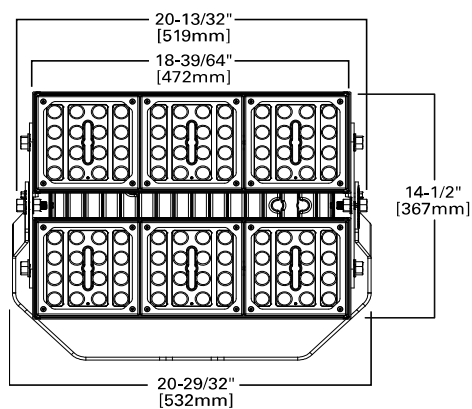
**IFLD-S Small 3 Square - Yoke Mount**



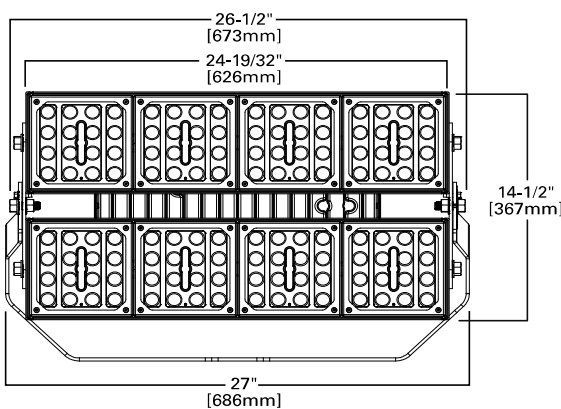
**IFLD-M Medium 4 Square - Yoke Mount**



**IFLD-S Small 6 Square - Yoke Mount**



**IFLD-L Large 8 Square - Yoke Mount**



**Job Name :** SECHLT AQUATIC CENTRE  
**Manufacturer :** STREETWORKS  
**Model Number :** IFLD-S-SA3-C-940-1-55-P-AP-CC

**Type :**  
**W15**

## Streetworks

## IFLD Infrastructure Flood Series

### Ordering Information

SAMPLE ORDER NUMBER: IFLD-S-SA3-A-940-U-66-Y-AP-10K-PR7

Product Family	Light Engine	Drive Current	Color Temperature	Voltage	Distribution	Mounting	Color
IFLD-S	SA2=2 Squares SA3=3 Squares SA6=6 Squares	A=600mA B=800mA C=1000mA D=1200mA E=1500mA	722=70CRI, 2200K 727=70CRI, 2700K 730=70CRI, 3000K 735=70CRI, 3500K 740=70CRI, 4000K 750=70CRI, 5000K 760=70CRI, 5700K 827=80CRI, 2700K 830=80CRI, 3000K 930=90CRI, 3000K 935=90CRI, 3500K 940=90CRI, 4000K 950=90CRI, 5000K AMB=Amber, 590nm <sup>2,3,16</sup>	U=120-277V H=347-480V I=120V 2=208V 3=240V 4=277V 8=480V <sup>21</sup> 9=347V	11=NEMA 1H x 1V <sup>4,5</sup> 22=NEMA 2H x 2V <sup>4,5</sup> 33=NEMA 3H x 3V <sup>4,5</sup> 44=NEMA 4H x 4V <sup>4,5</sup> 55=NEMA 5H x 5V <sup>4,5</sup> 66=NEMA 6H x 6V <sup>4,5</sup> T2=Type II T2R=Type II Roadway T3=Type III T3R=Type III Roadway T4FT=Type IV Forward Throw T4W=Type IV Wide 5NQ=Type V Narrow <sup>5</sup> 5MQ=Type V Square Medium <sup>5</sup> 5WQ=Type V Square Wide <sup>5</sup> SL2=Type II w/Spill Control SL3=Type III w/Spill Control SL4=Type IV w/Spill Control SLL=90° Spill Light Eliminator Left SLR=90° Spill Light Eliminator Right RW=Rectangular Wide Type I <sup>5</sup>	ADJA=Adjustable Arm Direct Pole Mount C=Slipfitter, 3" O.D. (Cord through housing) S=Slipfitter, 3" O.D. (Leads through slipfitter) Y=Yoke P=Pendant	AP=Grey BZ=Bronze BK=Black DP=Dark Platinum WH=White
IFLD-M	SA4=4 Squares						
IFLD-L	SA7=7 Squares SA8=8 Squares <sup>1</sup>						
Options (Add as Suffix)		Controls			Accessories (Order Separately)		
F=Single Fuse (120, 277 or 347V Specify Voltage) FF=Double Fuse (208, 240 or 480V Specify Voltage) 10K=10kV/10kA UL 1449 Surge Protective Device 20K=Series 20kV UL 1449 Surge Protective Device 20KI=Series 20kV UL 1449 Surge Protective Device with light indicator 10MSP=Parallel 10kV MOV Surge Protective Device 20MSP=Parallel 20kV MOV Surge Protective Device DIM=Dimming Wiring Leads <sup>6,7</sup> CC=Coastal Construction finish <sup>23</sup> Natatorium finish Confirmed by StreetWorks TH=Tool-less Door Hardware HSS=Installed House Side Shield <sup>8</sup> HA=50°C High Ambient <sup>1</sup> CXXXX=Cord Type <sup>24</sup> GNDM=Ground Mounted Application <sup>10,11</sup> 3G=3G Vibration rated <sup>12</sup> LCF=Light Square Trim Painted to Match Housing <sup>20</sup> 5LTD=DALI drivers option Dxxxxx=DOT Configuration - Contact Quotes Team Uxxxxx=Utility Configuration - Contact Quotes Team		SPB1=Dimming Occupancy Sensor with Bluetooth Interface, <8' Mounting <sup>13</sup> SPB2=Dimming Occupancy Sensor with Bluetooth Interface, 8' - 20' Mounting <sup>13</sup> SPB4=Dimming Occupancy Sensor with Bluetooth Interface, 21' - 40' Mounting <sup>13</sup> AHD145=After Hours Dim, 5 Hours <sup>14</sup> AHD245=After Hours Dim, 6 Hours <sup>14</sup> AHD255=After Hours Dim, 7 Hours <sup>14</sup> AHD355=After Hours Dim, 8 Hours <sup>14</sup> PR=NEMA 3-PIN Twistlock Photocontrol Receptacle PR7=NEMA 7-PIN Twistlock Photocontrol Receptacle <sup>25</sup> PSC=Photocontrol Shorting Cap NPC=NEMA Photocontrol - Multi-Tap LLPC=Longlife Photocontrol Included LLPC-FO=Long-life Photocontrol (Fail-Off) FADC=Field Adjustable Dimming Controller <sup>15</sup>			OA / RA1013=Photocontrol Shorting Cap OA1223=10kV Surge Module Replacement SRA238=2-3/8" Tenon Sleeve Adapter TYS-XX=Slipfitter Adapter for 2-3/8", 3" or 3-1/2" O.D. Tenon <sup>18,19,22</sup> WRGX=Wire guard for "X" LightSquare(s) <sup>17</sup> VSHX=Vandal shield for "X" LightSquare(s) <sup>8,17</sup> LSHX=Louvershield for "X" LightSquare(s) <sup>17,20</sup>		

#### NOTES:

- Not available with 1.5A drive current.
- Not available with "HA" option.
- Available only with 5WQ, 5MQ, SL2, SL3, and SL4 distributions.
- 90 CRI CCTs compatibility only.
- HSS not available.
- Can not be used with any of the "SPB" sensors.
- Only available with 16 AWG leads. 18" leads brought outside of fixture.
- Not available with "HA" or 1.5A drive current options.
- Reserved.
- Not available with Tool-less door hardware (TH).
- Not available with yoke or pendant mounting.
- Not available with pendant mounting.
- Not available with (GNDM) ground mount option. Smart device with Sensor Configuration mobile application required to change system defaults.
- Can not be used with DALI drivers or FADC. Requires the use of NPC photocontrol or the PR7 or PR photocontrol receptacle with photocontrol accessory.
- Not available with DALI drivers, or motion sensors (SPB).
- Only available at 500mA drive current. Use "A" drive current. Narrow-band 590nm +/- 5nm for wildlife and observatory use.
- Replace "X" with the number of lightsquares on luminaire.
- Not available for IFLD-L..
- Not available with 3G vibration rating.
- Not available on NEMA flood optics.
- Only for use with 480V Wye systems. Per NEC, not for use with ungrounded systems, impedance grounded systems or corner grounded systems (commonly known as Three Phase Three Wire Delta, Three Phase High Leg Delta and Three Phase Corner Grounded Delta systems).
- Not available with slipfitter mount.
- Coastal construction finish salt spray tested to over 5,000-hours per ASTM B117, with a scribe rating of 9 per ASTM D1654.
- 3-conductor cord available in 14 and 16 gauge with lengths of 5, 8, 10, 15, 20, and 25 feet. Specify cord gauge with the first 2 digits and cord length with the last 2 digits (ex: C1605 = 16-gauge, 5 feet length cord). Standard cord is 16-gauge with length of 3.5ft if not specified.
- Not available with motion sensors.

### Product Specifications

#### Construction

- Heavy-duty Die cast aluminum housing, door, and heat sink
- A separate driver compartment and external fins provide optimal thermal management that result in longer LED and driver life
- 3 housing sizes (Small, Medium, and Large) ranging from 2 to 8 squares
- The housing, optical chamber and driver compartment are IP66 rated
- Access to the driver for maintenance is achieved with a removable driver door
- The fixture is optional 3G vibration rated (ANSI C136.31) to ensure durability in area and site lighting applications

#### Optics

- High-efficiency injection-molded AccuLED Optics technology
- 20 optical distributions for flood, area site, and roadway applications
- Optics are precisely designed to shape the NEMA type flood distributions, maximizing efficiency and application spacing

- Louver shields, vandal shields, visors, and wire guard accessories available
- Various CCTs available, 2200K, 2700K, 3000K, 3500K, 4000K, 5000K, 5700K, and 590nm amber
- CCTs offered in 70 or 80 CRI for roadway optics and 90CRI for NEMA flood optics
- IDA Certified for 3000K CCT and warmer only

#### Electrical

- 120-277V 50/60Hz, 347V 60Hz or 480V 60Hz operation
- 10kV and 20kV surge or parallel surge protection options available
- 0-10V dimming driver is standard to accommodate controls capability such as dimming and occupancy
- Available with 3-PIN or 7-PIN NEMA photocontrol receptacles
- Suitable for ambient temperatures from -40°C to 40°C; Optional 50°C HA (high ambient) available
- Luminaire available with the field adjustable dimming controller (FADC) to manually adjust wattage and reduce the total lumen output and light levels; Comes pre-set to the highest position

at the lumen output selected

#### Mounting

- Mounting options include an integral die-cast aluminum slipfitter, galvanized steel yoke, and pendant mount (pendant supplied by others)
- The slipfitter fits standard 3" O.D. tenon.
- SRA238 adapter available for 2-3/8" OD applications
- The yoke mounting includes a polyester powder coated galvanized steel yoke with a 16/3 STW-A cord
- The yoke mount uses an interlocking slide adjustment that is locked in place with a set screw

#### Finish

- Housing and cast parts finished in five-stage super TGIC polyester powder coat paint, 2.5 mil nominal thickness for superior protection against fade and wear
- Coastal construction finish option available



PS506083EN page 2  
 January 14, 2025 10:26 AM

Prepared By: Mac's ii Design Team

Job Name : SECHELT AQUATIC CENTRE  
 Manufacturer : STREETWORKS  
 Model Number : IFLD-S-SA3-C-940-1-55-P-AP-CC

Type :  
**W15**

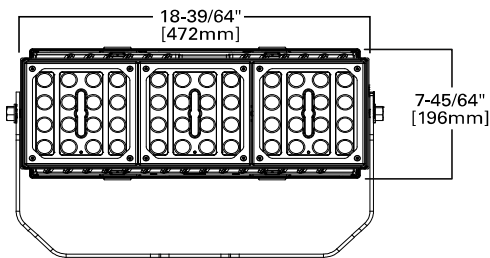
## Streetworks

## IFLD Infrastructure Flood Series

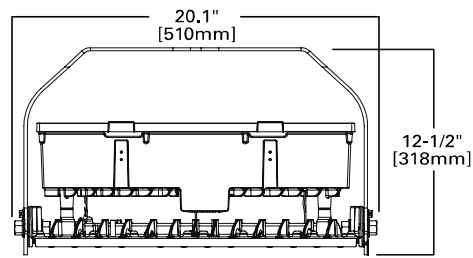
### Mounting Details - 3 Square

 Supplemental Line Art

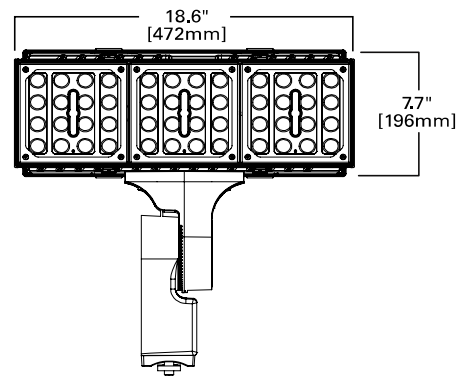
**Yoke Mount**



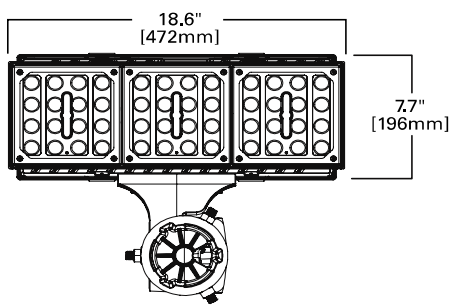
**Pendant Mount**



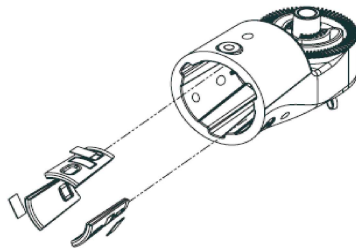
**Direct Pole Mount**



**Slipfitter**

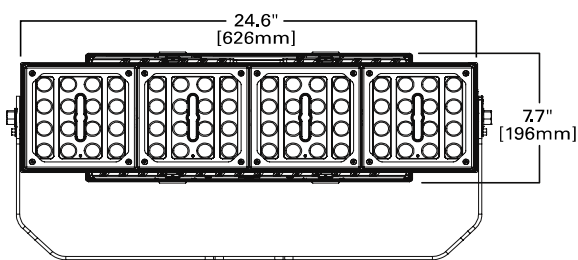


**Slipfitter Spacer (SRA238)**

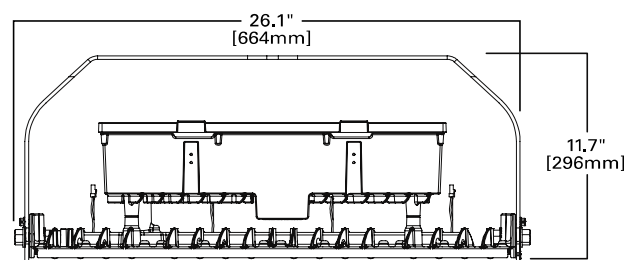


### Mounting Details - 4 Square

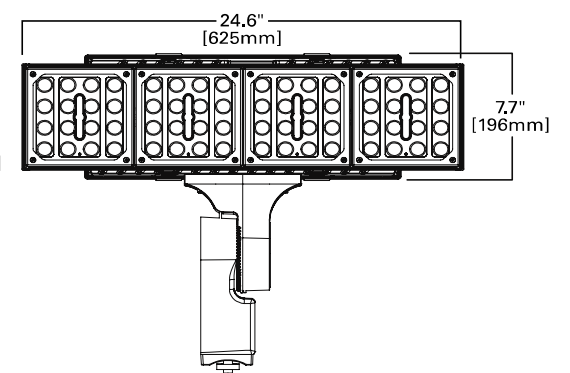
**Yoke Mount**



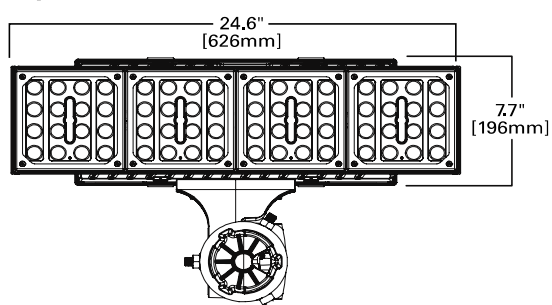
**Pendant Mount**



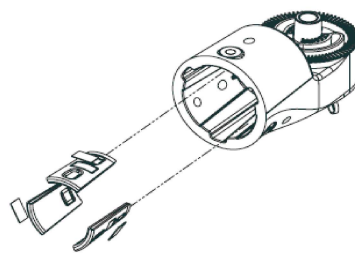
**Direct Pole Mount**



**Slipfitter**



**Slipfitter Spacer (SRA238)**



Job Name : SECHLT AQUATIC CENTRE  
 Manufacturer : STREETWORKS  
 Model Number : IFLD-S-SA3-C-940-1-55-P-AP-CC

Type :  
**W15**

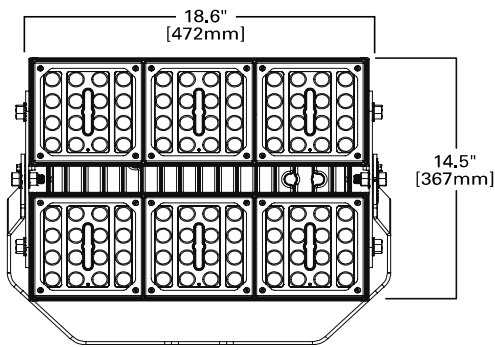
## Streetworks

## IFLD Infrastructure Flood Series

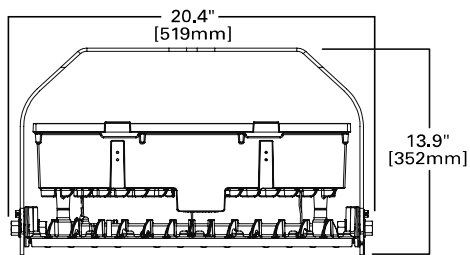
### Mounting Details - 6 Square

 Supplemental Line Art

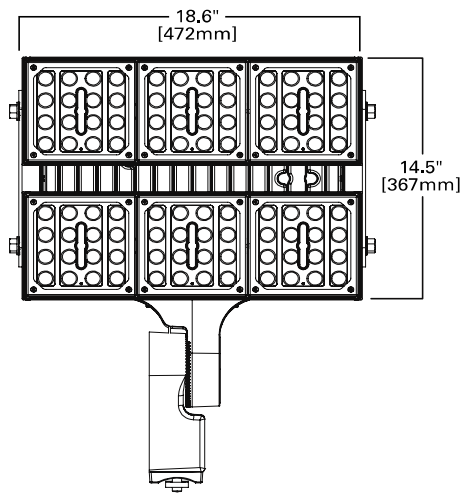
**Yoke Mount**



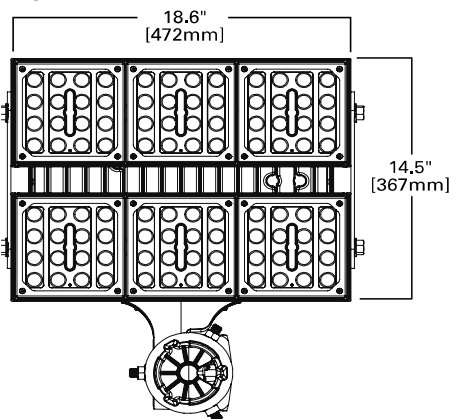
**Pendant Mount**



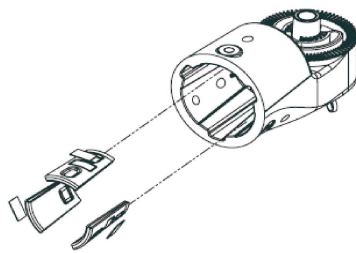
**Direct Pole Mount**



**Slipfitter**

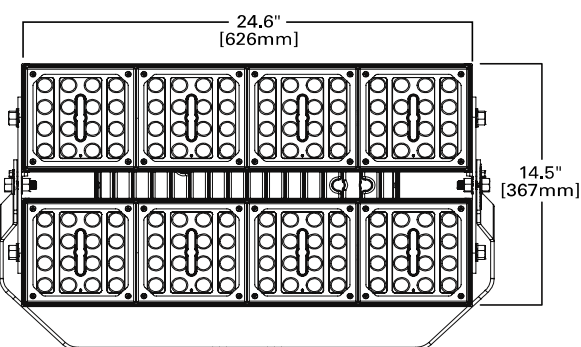


**Slipfitter Spacer (SRA238)**

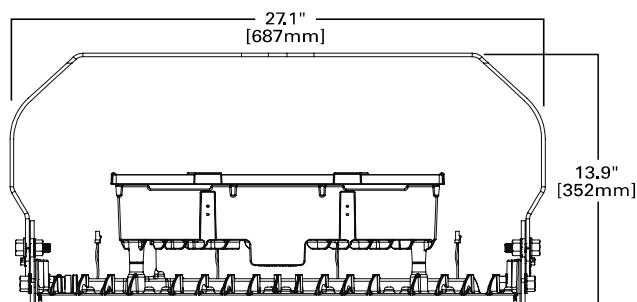


### Mounting Details - 8 Square

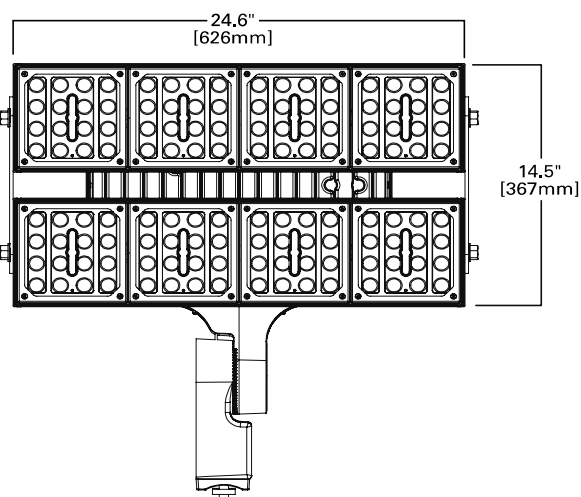
**Yoke Mount**



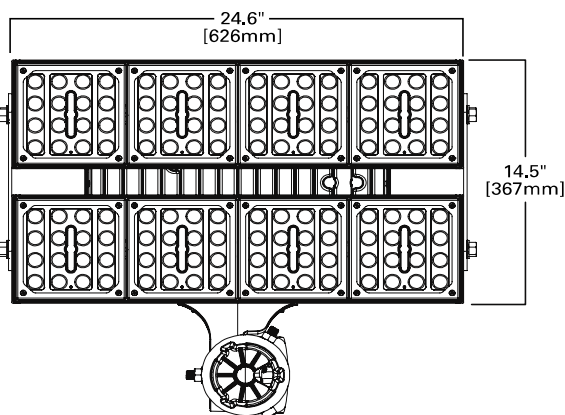
**Pendant Mount**



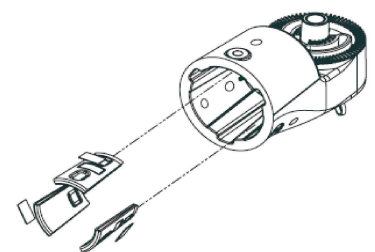
**Direct Pole Mount**



**Slipfitter**



**Slipfitter Spacer (SRA238)**



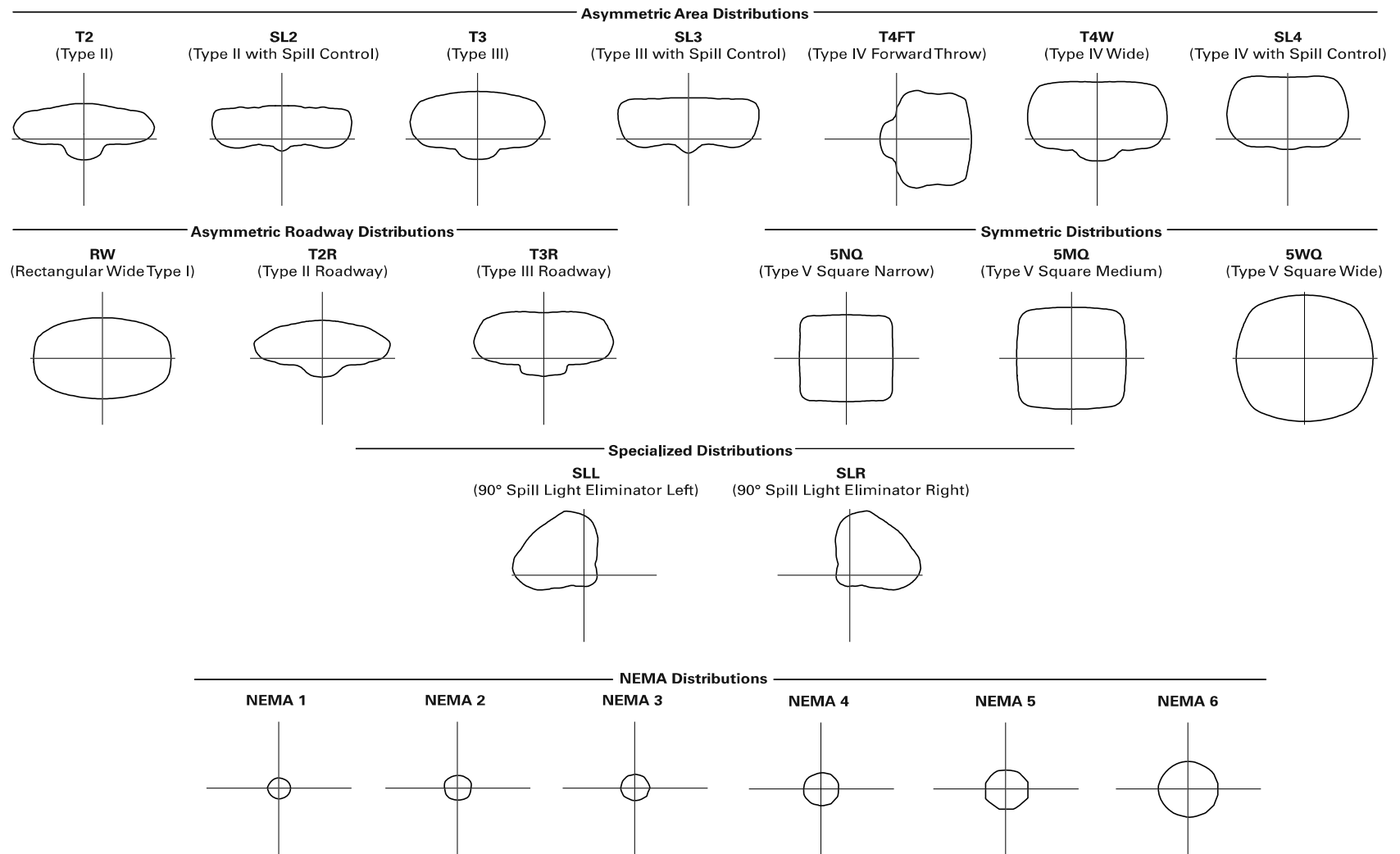
Job Name : SEHEL T AQUATIC CENTRE  
 Manufacturer : STREETWORKS  
 Model Number : IFLD-S-SA3-C-940-1-55-P-AP-CC

Type :  
**W15**

## Streetworks

## IFLD Infrastructure Flood Series

### Optical Distributions



**Job Name :** SECHELT AQUATIC CENTRE  
**Manufacturer :** STREETWORKS  
**Model Number :** IFLD-S-SA3-C-940-1-55-P-AP-CC

**Type :**  
**W15**

## Streetworks

## IFLD Infrastructure Flood Series

### Energy and Performance Data

#### Lumen Maintenance (TM-21)

Drive Current	Ambient Temperature	25,000 hours*	50,000 hours*	60,000 hours*	100,000 hours**	Theoretical L70 hours**
Up to 1A	25°C	99.4%	99.0%	98.9%	98.3%	> 2.4M
	40°C	98.7%	98.3%	98.1%	97.4%	> 1.9M
	50°C	98.2%	97.2%	96.8%	95.2%	> 851,000
1.2A	25°C	99.4%	99.0%	98.9%	98.3%	> 2.4M
	40°C	98.5%	97.9%	97.7%	96.7%	> 1.3M

\* Supported by IES TM-21 standards  
 \*\* Theoretical values represent estimations commonly used; however, refer to the IES position on LED Product Lifetime Prediction, IES PS-10-18, explaining proper use of IES TM-21 and LM-80.

#### Lumen Multiplier

Ambient Temperature	Lumen Multiplier
0°C	1.02
10°C	1.01
25°C	1.00
40°C	0.99
50°C	0.97

#### FADC Settings

FADC Position	Percent of Typical Lumen Output
1	27%
2	48%
3	57%
4	57%
5	64%
6	74%
7	79%
8	89%
9	94%
10	100%

#### Performance Table

##### Drive Current "C" (1050mA)

Square Count	7	8
Input Current @ 120V	3.15	3.58
Input Current @ 208V	1.85	2.11
Input Current @ 240V	1.59	1.80
Input Current @ 277V	1.40	1.59
Input Current @ 347V	1.12	1.27
Input Current @ 480V	0.81	0.92

#### Performance Table

##### Drive Current "D" (1200mA)

Square Count	7	8
Input Current @ 120V	3.62	4.10
Input Current @ 208V	2.12	2.40
Input Current @ 240V	1.84	2.06
Input Current @ 277V	1.62	1.81
Input Current @ 347V	1.24	1.40
Input Current @ 480V	0.90	1.01

#### Fixture Weights

LightSquare Count	2	3	6	4	7	8
Fixture Size	IFLD-S	IFLD-S	IFLD-S	IFLD-M	IFLD-L	IFLD-L
Yoke	24	24	46	26	51	51
Pendant	25	25	42	26	45	45
Slipfitter	28	28	46	30	47	47

#### EPA Data

LightSquare Count	2	3	6	4	7	8
Fixture Size	IFLD-S	IFLD-S	IFLD-S	IFLD-M	IFLD-L	IFLD-L
Yoke	1.61	1.61	2.38	1.64	2.78	2.78
Pendant	1.6	1.6	2.34	1.89	2.9	2.9
Slipfitter	1.77	1.77	2.47	2.04	2.99	2.99

Job Name : SECHELT AQUATIC CENTRE  
 Manufacturer : STREETWORKS  
 Model Number : IFLD-S-SA3-C-940-1-55-P-AP-CC

Type :  
**W15**

## Streetworks

## IFLD Infrastructure Flood Series

### Energy and Performance Data (IFLD-S)

Current "A" (600 mA)

Number of Light Squares		2	3	6
Nominal Power (Watts)		64	94	190
Optics				
T2	4000K Lumens	9,220	13,741	26,956
	BUG Rating	B2-U0-G2	B2-U0-G2	B3-U0-G4
	Lumens per Watt	144	146	142
T2R	4000K Lumens	9,284	13,836	27,141
	BUG Rating	B1-U0-G2	B2-U0-G2	B3-U0-G3
	Lumens per Watt	145	147	143
T3	4000K Lumens	9,403	14,013	27,489
	BUG Rating	B2-U0-G2	B2-U0-G2	B3-U0-G4
	Lumens per Watt	147	149	145
T3R	4000K Lumens	9,068	13,514	26,510
	BUG Rating	B1-U0-G2	B2-U0-G3	B3-U0-G4
	Lumens per Watt	142	144	140
T4FT	4000K Lumens	9,458	14,095	27,650
	BUG Rating	B2-U0-G2	B2-U0-G3	B3-U0-G4
	Lumens per Watt	148	150	146
T4W	4000K Lumens	9,331	13,906	27,279
	BUG Rating	B2-U0-G2	B2-U0-G3	B3-U0-G4
	Lumens per Watt	146	148	144
SL2	4000K Lumens	9,205	13,717	26,909
	BUG Rating	B2-U0-G3	B2-U0-G3	B3-U0-G4
	Lumens per Watt	144	146	142
SL3	4000K Lumens	9,109	13,576	26,633
	BUG Rating	B1-U0-G2	B2-U0-G2	B3-U0-G4
	Lumens per Watt	142	144	140
SL4	4000K Lumens	8,930	13,309	26,107
	BUG Rating	B1-U0-G3	B2-U0-G3	B3-U0-G5
	Lumens per Watt	140	142	137
5NQ	4000K Lumens	9,207	13,722	26,917
	BUG Rating	B3-U0-G1	B3-U0-G2	B4-U0-G2
	Lumens per Watt	144	146	142
5MQ	4000K Lumens	9,319	13,887	27,244
	BUG Rating	B3-U0-G2	B4-U0-G2	B5-U0-G3
	Lumens per Watt	146	148	143
5WQ	4000K Lumens	9,474	14,119	27,697
	BUG Rating	B3-U0-G2	B4-U0-G2	B5-U0-G3
	Lumens per Watt	148	150	146
RW	4000K Lumens	9,510	14,173	27,802
	BUG Rating	B3-U0-G1	B3-U0-G2	B4-U0-G2
	Lumens per Watt	149	151	146

Job Name : SECHELT AQUATIC CENTRE  
 Manufacturer : STREETWORKS  
 Model Number : IFLD-S-SA3-C-940-1-55-P-AP-CC

Type :  
**W15**

## Streetworks

## IFLD Infrastructure Flood Series

### Energy and Performance Data (IFLD-S)

#### Current "A" (600 mA) - Continued

Number of Light Squares		2	3	6
Nominal Power (Watts)		64	94	190
Optics				
11	4000K Lumens	3,849	5,737	11,254
	BUG Rating	B5-U0-G0	B4-U0-G0	B4-U0-G0
	Lumens per Watt	60.3	60.5	59.4
22	4000K Lumens	6,816	10,158	19,927
	BUG Rating	B4-U0-G1	B4-U0-G1	B5-U0-G1
	Lumens per Watt	107	108	105
33	4000K Lumens	6,791	10,120	19,853
	BUG Rating	B4-U0-G1	B4-U0-G1	B5-U0-G1
	Lumens per Watt	106	108	104
44	4000K Lumens	6,858	10,220	20,049
	BUG Rating	B4-U0-G1	B4-U0-G1	B5-U0-G1
	Lumens per Watt	107	109	106
55	4000K Lumens	6,600	9,836	19,294
	BUG Rating	B3-U0-G1	B4-U0-G1	B5-U0-G1
	Lumens per Watt	103	105	102
66	4000K Lumens	6,921	10,315	20,234
	BUG Rating	B3-U0-G0	B3-U0-G1	B4-U0-G1
	Lumens per Watt	108	110	106

#### Current "B" (800 mA)

Number of Light Squares		2	3	6
Nominal Power (Watts)		82	122	245
Optics				
T2	4000K Lumens	11,403	16,995	33,338
	BUG Rating	B2-U0-G2	B3-U0-G3	B3-U0-G4
	Lumens per Watt	139	139	136
T2R	4000K Lumens	11,482	17,111	33,567
	BUG Rating	B2-U0-G2	B2-U0-G2	B3-U0-G4
	Lumens per Watt	140	140	137
T3	4000K Lumens	11,629	17,331	33,998
	BUG Rating	B2-U0-G2	B3-U0-G3	B3-U0-G4
	Lumens per Watt	142	142	139
T3R	4000K Lumens	11,215	16,714	32,787
	BUG Rating	B2-U0-G2	B2-U0-G3	B3-U0-G5
	Lumens per Watt	137	137	134

Job Name : SECHELT AQUATIC CENTRE  
 Manufacturer : STREETWORKS  
 Model Number : IFLD-S-SA3-C-940-1-55-P-AP-CC

Type :  
**W15**

## Streetworks

## IFLD Infrastructure Flood Series

### Energy and Performance Data (IFLD-S)

Current "B" (800 mA) - Continued

Number of Light Squares		2	3	6
Nominal Power (Watts)		82	122	245
Optics				
T4FT	4000K Lumens	11,697	17,432	34,196
	BUG Rating	B2-U0-G3	B3-U0-G3	B3-U0-G5
	Lumens per Watt	143	142	140
T4W	4000K Lumens	11,540	17,198	33,738
	BUG Rating	B2-U0-G2	B3-U0-G3	B3-U0-G5
	Lumens per Watt	141	141	138
SL2	4000K Lumens	11,384	16,965	33,280
	BUG Rating	B2-U0-G3	B3-U0-G3	B3-U0-G5
	Lumens per Watt	139	139	136
SL3	4000K Lumens	11,267	16,791	32,938
	BUG Rating	B2-U0-G2	B2-U0-G3	B3-U0-G4
	Lumens per Watt	137	137	134
SL4	4000K Lumens	11,044	16,459	32,288
	BUG Rating	B1-U0-G3	B2-U0-G4	B3-U0-G5
	Lumens per Watt	135	134	132
5NQ	4000K Lumens	11,387	16,970	33,290
	BUG Rating	B3-U0-G1	B3-U0-G2	B5-U0-G2
	Lumens per Watt	139	139	136
5MQ	4000K Lumens	11,525	17,176	33,693
	BUG Rating	B4-U0-G2	B4-U0-G2	B5-U0-G4
	Lumens per Watt	141	14	138
5WQ	4000K Lumens	11,717	17,462	34,254
	BUG Rating	B4-U0-G2	B4-U0-G2	B5-U0-G4
	Lumens per Watt	143	143	140
RW	4000K Lumens	11,761	17,528	34,384
	BUG Rating	B3-U0-G2	B4-U0-G2	B5-U0-G3
	Lumens per Watt	143	143	140

Job Name : SECHELT AQUATIC CENTRE  
 Manufacturer : STREETWORKS  
 Model Number : IFLD-S-SA3-C-940-1-55-P-AP-CC

Type :  
**W15**

## Streetworks

## IFLD Infrastructure Flood Series

### Energy and Performance Data (IFLD-S)

#### Current "B" (800 mA) - Continued

Number of Light Squares		2	3	6
Nominal Power (Watts)		82	122	245
<b>Optics</b>				
11	4000K Lumens	4,761	7,095	13,918
	BUG Rating	B3-U0-G0	B4-U0-G0	B5-U0-G0
	Lumens per Watt	57.8	58	56.8
22	4000K Lumens	8,430	12,563	24,645
	BUG Rating	B4-U0-G1	B5-U0-G1	B5-U0-G1
	Lumens per Watt	103	103	101
33	4000K Lumens	8,398	12,516	24,553
	BUG Rating	B4-U0-G1	B5-U0-G1	B5-U0-G1
	Lumens per Watt	102	102	100
44	4000K Lumens	8,482	12,640	24,796
	BUG Rating	B4-U0-G1	B5-U0-G1	B5-U0-G1
	Lumens per Watt	103	103	101
55	4000K Lumens	8,160	12,164	23,862
	BUG Rating	B4-U0-G1	B4-U0-G1	B5-U0-G1
	Lumens per Watt	10	99	97
66	4000K Lumens	8,560	12,757	25,025
	BUG Rating	B3-U0-G1	B4-U0-G1	B5-U0-G1
	Lumens per Watt	104	104	102

#### Current "C" (1050 mA)

Number of Light Squares		2	3	6
Nominal Power (Watts)		108	160	321
<b>Optics</b>				
T2	4000K Lumens	14,196	21,155	41,500
	BUG Rating	B2-U0-G2	B3-U0-G3	B4-U0-G5
	Lumens per Watt	131	132	129
T2R	4000K Lumens	14,293	21,301	41,785
	BUG Rating	B2-U0-G2	B2-U0-G3	B3-U0-G4
	Lumens per Watt	132	133	130
T3	4000K Lumens	14,477	21,574	42,321
	BUG Rating	B2-U0-G2	B3-U0-G3	B4-U0-G5
	Lumens per Watt	134	135	132
T3R	4000K Lumens	13,961	20,806	40,814
	BUG Rating	B2-U0-G3	B3-U0-G4	B3-U0-G5
	Lumens per Watt	129	130	127
T4FT	4000K Lumens	14,561	21,700	42,568
	BUG Rating	B2-U0-G3	B3-U0-G4	B3-U0-G5
	Lumens per Watt	135	136	133

Job Name : SECHELT AQUATIC CENTRE  
 Manufacturer : STREETWORKS  
 Model Number : IFLD-S-SA3-C-940-1-55-P-AP-CC

Type :  
**W15**

## Streetworks

## IFLD Infrastructure Flood Series

### Energy and Performance Data (IFLD-S)

Current "C" (1050 mA) - Continued

Number of Light Squares		2	3	6
Nominal Power (Watts)		108	160	321
Optics				
T4W	4000K Lumens	14,366	21,409	41,998
	BUG Rating	B2-U0-G3	B3-U0-G4	B4-U0-G5
	Lumens per Watt	133	134	131
SL2	4000K Lumens	14,171	21,118	41,427
	BUG Rating	B2-U0-G3	B3-U0-G4	B4-U0-G5
	Lumens per Watt	131	132	129
SL3	4000K Lumens	14,025	20,901	41,002
	BUG Rating	B2-U0-G2	B2-U0-G3	B3-U0-G5
	Lumens per Watt	130	131	128
SL4	4000K Lumens	13,749	20,489	40,193
	BUG Rating	B2-U0-G3	B2-U0-G4	B3-U0-G5
	Lumens per Watt	127	128	125
5NQ	4000K Lumens	14,175	21,125	41,440
	BUG Rating	B3-U0-G2	B4-U0-G2	B5-U0-G3
	Lumens per Watt	131	132	129
5MQ	4000K Lumens	14,347	21,381	41,942
	BUG Rating	B4-U0-G2	B4-U0-G2	B5-U0-G4
	Lumens per Watt	133	134	131
5WQ	4000K Lumens	14,586	21,737	42,640
	BUG Rating	B4-U0-G2	B5-U0-G3	B5-U0-G4
	Lumens per Watt	135	136	133
RW	4000K Lumens	14,641	21,819	42,802
	BUG Rating	B3-U0-G2	B4-U0-G2	B5-U0-G3
	Lumens per Watt	136	136	133
11	4000K Lumens	5,926	8,832	17,325
	BUG Rating	B4-U0-G0	B4-U0-G0	B5-U0-G0
	Lumens per Watt	54.8	54.9	53.9
22	4000K Lumens	10,494	15,639	30,679
	BUG Rating	B4-U0-G1	B5-U0-G1	B5-U0-G1
	Lumens per Watt	97	98	96
33	4000K Lumens	10,455	15,581	30,564
	BUG Rating	B4-U0-G1	B5-U0-G1	B5-U0-G1
	Lumens per Watt	97	97	95
44	4000K Lumens	10,558	15,735	30,866
	BUG Rating	B4-U0-G1	B5-U0-G1	B5-U0-G1
	Lumens per Watt	98	98	96
55	4000K Lumens	10,161	15,142	29,704
	BUG Rating	B4-U0-G1	B4-U0-G1	B5-U0-G1
	Lumens per Watt	94	95	93
66	4000K Lumens	10,656	15,880	31,151
	BUG Rating	B3-U0-G1	B4-U0-G1	B5-U0-G1
	Lumens per Watt	99	99	97

Job Name : SECHELT AQUATIC CENTRE  
 Manufacturer : STREETWORKS  
 Model Number : IFLD-S-SA3-C-940-1-55-P-AP-CC

Type :  
**W15**

## Streetworks

## IFLD Infrastructure Flood Series

### Energy and Performance Data (IFLD-S)

Current "D" (1200 mA) - Continued

Number of Light Squares		2	3	6
Nominal Power (Watts)		124	184	368
Optics				
T2	4000K Lumens	15,620	23,278	45,664
	BUG Rating	B3-U0-G3	B3-U0-G3	B4-U0-G5
	Lumens per Watt	126	127	124
T2R	4000K Lumens	15,727	23,438	45,978
	BUG Rating	B2-U0-G2	B3-U0-G3	B3-U0-G5
	Lumens per Watt	127	127	125
T3	4000K Lumens	15,929	23,739	46,568
	BUG Rating	B2-U0-G3	B3-U0-G4	B4-U0-G5
	Lumens per Watt	129	129	126
T3R	4000K Lumens	15,370	22,893	44,910
	BUG Rating	B2-U0-G3	B3-U0-G4	B3-U0-G5
	Lumens per Watt	124	124	122
T4FT	4000K Lumens	16,022	23,877	46,840
	BUG Rating	B2-U0-G3	B3-U0-G4	B4-U0-G5
	Lumens per Watt	129	130	127
T4W	4000K Lumens	15,807	23,557	46,212
	BUG Rating	B3-U0-G3	B3-U0-G4	B4-U0-G5
	Lumens per Watt	128	128	126
SL2	4000K Lumens	15,593	23,237	45,585
	BUG Rating	B3-U0-G3	B3-U0-G4	B4-U0-G5
	Lumens per Watt	126	126	124
SL3	4000K Lumens	15,432	22,998	45,116
	BUG Rating	B2-U0-G3	B3-U0-G4	B3-U0-G5
	Lumens per Watt	125	125	123
SL4	4000K Lumens	15,128	22,545	44,226
	BUG Rating	B2-U0-G3	B2-U0-G4	B3-U0-G5
	Lumens per Watt	122	123	120
5NQ	4000K Lumens	15,597	23,244	45,599
	BUG Rating	B3-U0-G2	B4-U0-G2	B5-U0-G3
	Lumens per Watt	126	126	124
5MQ	4000K Lumens	15,787	23,526	46,152
	BUG Rating	B4-U0-G2	B5-U0-G3	B5-U0-G4
	Lumens per Watt	127	128	125
5WQ	4000K Lumens	16,049	23,918	46,920
	BUG Rating	B4-U0-G2	B5-U0-G3	B5-U0-G5
	Lumens per Watt	130	130	127
RW	4000K Lumens	16,110	24,008	47,098
	BUG Rating	B4-U0-G2	B4-U0-G2	B5-U0-G4
	Lumens per Watt	130	130	128

Job Name : SECHELT AQUATIC CENTRE  
 Manufacturer : STREETWORKS  
 Model Number : IFLD-S-SA3-C-940-1-55-P-AP-CC

Type :  
**W15**

## Streetworks

## IFLD Infrastructure Flood Series

### Energy and Performance Data (IFLD-S)

#### Current "D" (1200 mA) - Continued

Number of Light Squares		2	3	6
Nominal Power (Watts)		124	184	368
Optics				
11	4000K Lumens	6,521	9,718	19,064
	BUG Rating	B4-U0-G0	B4-U0-G0	B5-U0-G0
	Lumens per Watt	52.6	52.8	51.8
22	4000K Lumens	11,547	17,208	33,758
	BUG Rating	B5-U0-G1	B5-U0-G1	B5-U0-G1
	Lumens per Watt	93	94	92
33	4000K Lumens	11,504	17,144	33,631
	BUG Rating	B5-U0-G1	B5-U0-G1	B5-U0-G1
	Lumens per Watt	93	93	91
44	4000K Lumens	11,618	17,313	33,964
	BUG Rating	B4-U0-G1	B5-U0-G1	B5-U0-G1
	Lumens per Watt	94	94	92
55	4000K Lumens	11,180	16,661	32,685
	BUG Rating	B4-U0-G1	B5-U0-G1	B5-U0-G1
	Lumens per Watt	90	91	89
66	4000K Lumens	11,725	17,473	34,278
	BUG Rating	B4-U0-G1	B4-U0-G1	B5-U0-G2
	Lumens per Watt	95	95	93

#### Current "E" (1500 mA)

Number of Light Squares		2	3	6
Nominal Power (Watts)		156	232	464
Optics				
T2	4000K Lumens	18,077	26,939	52,846
	BUG Rating	B3-U0-G3	B3-U0-G4	B4-U0-G5
	Lumens per Watt	116	116	114
T2R	4000K Lumens	18,201	27,125	53,210
	BUG Rating	B2-U0-G2	B3-U0-G3	B3-U0-G5
	Lumens per Watt	117	117	115
T3	4000K Lumens	18,435	27,473	53,893
	BUG Rating	B3-U0-G3	B3-U0-G4	B4-U0-G5
	Lumens per Watt	118	118	116
T3R	4000K Lumens	17,778	26,495	51,974
	BUG Rating	B2-U0-G3	B3-U0-G4	B4-U0-G5
	Lumens per Watt	114	114	112
T4FT	4000K Lumens	18,542	27,263	53,481
	BUG Rating	B3-U0-G3	B3-U0-G4	B4-U0-G5
	Lumens per Watt	119	117	115
T4W	4000K Lumens	18,294	27,263	53,481
	BUG Rating	B3-U0-G4	B3-U0-G4	B4-U0-G5
	Lumens per Watt	117	117	115
SL2	4000K Lumens	18,045	26,892	52,754
	BUG Rating	B3-U0-G3	B3-U0-G4	B4-U0-G5
	Lumens per Watt	116	116	114

Job Name : SECHELT AQUATIC CENTRE  
 Manufacturer : STREETWORKS  
 Model Number : IFLD-S-SA3-C-940-1-55-P-AP-CC

Type :  
**W15**

## Streetworks

## IFLD Infrastructure Flood Series

### Energy and Performance Data (IFLD-S)

#### Current "E" (1500 mA)

Number of Light Squares		2	3	6
Nominal Power (Watts)		156	232	464
Optics				
SL3	4000K Lumens	17,860	26,616	52,212
	BUG Rating	B2-U0-G3	B3-U0-G4	B3-U0-G5
	Lumens per Watt	114	115	112
SL4	4000K Lumens	17,507	26,091	51,182
	BUG Rating	B2-U0-G4	B3-U0-G5	B3-U0-G5
	Lumens per Watt	112	112	110
5NQ	4000K Lumens	18,051	26,901	52,771
	BUG Rating	B4-U0-G2	B4-U0-G2	B5-U0-G4
	Lumens per Watt	116	116	114
5MQ	4000K Lumens	18,269	27,227	53,410
	BUG Rating	B4-U0-G2	B5-U0-G3	B5-U0-G5
	Lumens per Watt	117	117	115
5WQ	4000K Lumens	18,574	27,680	54,299
	BUG Rating	B4-U0-G2	B5-U0-G3	B5-U0-G5
	Lumens per Watt	119	119	117
RW	4000K Lumens	18,644	27,785	54,505
	BUG Rating	B4-U0-G2	B4-U0-G2	B5-U0-G4
	Lumens per Watt	119	120	117
11	4000K Lumens	7,547	11,247	22,062
	BUG Rating	B4-U0-G0	B4-U0-G0	B5-U0-G0
	Lumens per Watt	48.3	48.5	47.5
22	4000K Lumens	13,363	19,915	39,067
	BUG Rating	B5-U0-G1	B5-U0-G1	B5-U0-G1
	Lumens per Watt	86	86	84
33	4000K Lumens	13,313	19,841	38,921
	BUG Rating	B5-U0-G1	B5-U0-G1	B5-U0-G1
	Lumens per Watt	85	85	84
44	4000K Lumens	13,445	20,037	39,306
	BUG Rating	B5-U0-G1	B5-U0-G1	B5-U0-G1
	Lumens per Watt	86	86	85
55	4000K Lumens	12,939	19,282	37,826
	BUG Rating	B4-U0-G1	B5-U0-G1	B5-U0-G1
	Lumens per Watt	83	83	81
66	4000K Lumens	13,569	20,222	39,669
	BUG Rating	B4-U0-G1	B4-U0-G1	B5-U0-G1
	Lumens per Watt	87	87	85

Job Name : SECHELT AQUATIC CENTRE  
 Manufacturer : STREETWORKS  
 Model Number : IFLD-S-SA3-C-940-1-55-P-AP-CC

Type :  
**W15**

## Streetworks

## IFLD Infrastructure Flood Series

### Energy and Performance Data (IFLD-M)

Current "A" (600 mA)

Number of Light Squares		4
Nominal Power (Watts)		129
Optics		
T2	4000K Lumens	18,444
	BUG Rating	B3-U0-G3
	Lumens per Watt	143
T2R	4000K Lumens	18,571
	BUG Rating	B2-U0-G2
	Lumens per Watt	144
T3	4000K Lumens	18,809
	BUG Rating	B3-U0-G3
	Lumens per Watt	146
T3R	4000K Lumens	18,140
	BUG Rating	B2-U0-G3
	Lumens per Watt	141
T4FT	4000K Lumens	18,919
	BUG Rating	B3-U0-G3
	Lumens per Watt	147
T4W	4000K Lumens	18,666
	BUG Rating	B3-U0-G4
	Lumens per Watt	145
SL2	4000K Lumens	18,412
	BUG Rating	B3-U0-G3
	Lumens per Watt	143
SL3	4000K Lumens	18,223
	BUG Rating	B2-U0-G3
	Lumens per Watt	142
SL4	4000K Lumens	17,863
	BUG Rating	B2-U0-G4
	Lumens per Watt	139
5NQ	4000K Lumens	18,418
	BUG Rating	B4-U0-G2
	Lumens per Watt	143
5MQ	4000K Lumens	18,641
	BUG Rating	B4-U0-G2
	Lumens per Watt	145
5WQ	4000K Lumens	18,951
	BUG Rating	B4-U0-G2
	Lumens per Watt	147
RW	4000K Lumens	19023.1
	BUG Rating	B4-U0-G2
	Lumens per Watt	148

Current "A" (600 mA)

Number of Light Squares		4
Nominal Power (Watts)		64
Optics		
11	4000K Lumens	7,438
	BUG Rating	B4-U0-G0
	Lumens per Watt	59.9
22	4000K Lumens	13,635
	BUG Rating	B5-U0-G1
	Lumens per Watt	106
33	4000K Lumens	13,584
	BUG Rating	B5-U0-G1
	Lumens per Watt	106
44	4000K Lumens	13,718
	BUG Rating	B5-U0-G1
	Lumens per Watt	107
55	4000K Lumens	13,202
	BUG Rating	B4-U0-G1
	Lumens per Watt	103
66	4000K Lumens	13,845
	BUG Rating	B4-U0-G1
	Lumens per Watt	108

Job Name : SECHELT AQUATIC CENTRE  
 Manufacturer : STREETWORKS  
 Model Number : IFLD-S-SA3-C-940-1-55-P-AP-CC

Type :  
**W15**

## Streetworks

## IFLD Infrastructure Flood Series

### Energy and Performance Data (IFLD-M)

Current "B" (800 mA)

Number of Light Squares		4
Nominal Power (Watts)		166
Optics		
T2	4000K Lumens	22,811
	BUG Rating	B3-U0-G3
	Lumens per Watt	137
T2R	4000K Lumens	22,968
	BUG Rating	B3-U0-G3
	Lumens per Watt	138
T3	4000K Lumens	23,262
	BUG Rating	B3-U0-G3
	Lumens per Watt	140
T3R	4000K Lumens	22,434
	BUG Rating	B3-U0-G4
	Lumens per Watt	135
T4FT	4000K Lumens	23,398
	BUG Rating	B3-U0-G4
	Lumens per Watt	141
T4W	4000K Lumens	23,085
	BUG Rating	B3-U0-G4
	Lumens per Watt	139
SL2	4000K Lumens	22,771
	BUG Rating	B3-U0-G4
	Lumens per Watt	137
SL3	4000K Lumens	22,537
	BUG Rating	B3-U0-G4
	Lumens per Watt	136
SL4	4000K Lumens	22,092
	BUG Rating	B2-U0-G4
	Lumens per Watt	133
5NQ	4000K Lumens	22,778
	BUG Rating	B4-U0-G2
	Lumens per Watt	137
5MQ	4000K Lumens	23,054
	BUG Rating	B5-U0-G3
	Lumens per Watt	139
5WQ	4000K Lumens	23,438
	BUG Rating	B5-U0-G3
	Lumens per Watt	141
RW	4000K Lumens	23,527
	BUG Rating	B4-U0-G2
	Lumens per Watt	142

Current "B" (800 mA)

Number of Light Squares		4
Nominal Power (Watts)		166
Optics		
11	4000K Lumens	9,199
	BUG Rating	B4-U0-G0
	Lumens per Watt	57.4
22	4000K Lumens	16,863
	BUG Rating	B5-U0-G1
	Lumens per Watt	102
33	4000K Lumens	16,800
	BUG Rating	B5-U0-G1
	Lumens per Watt	101
44	4000K Lumens	16,800
	BUG Rating	B5-U0-G1
	Lumens per Watt	101
55	4000K Lumens	16,327
	BUG Rating	B5-U0-G1
	Lumens per Watt	98
66	4000K Lumens	17,123
	BUG Rating	B4-U0-G1
	Lumens per Watt	103

Job Name : SECHELT AQUATIC CENTRE  
 Manufacturer : STREETWORKS  
 Model Number : IFLD-S-SA3-C-940-1-55-P-AP-CC

Type :  
**W15**

## Streetworks

## IFLD Infrastructure Flood Series

### Energy and Performance Data (IFLD-M)

Current "C" (1050 mA)

Number of Light Squares		4
Nominal Power (Watts)		218
Optics		
T2	4000K Lumens	28,396
	BUG Rating	B3-U0-G4
	Lumens per Watt	130
T2R	4000K Lumens	28,591
	BUG Rating	B3-U0-G4
	Lumens per Watt	131
T3	4000K Lumens	28,958
	BUG Rating	B3-U0-G4
	Lumens per Watt	133
T3R	4000K Lumens	27,927
	BUG Rating	B3-U0-G4
	Lumens per Watt	128
T4FT	4000K Lumens	29,127
	BUG Rating	B3-U0-G4
	Lumens per Watt	134
T4W	4000K Lumens	28,737
	BUG Rating	B3-U0-G4
	Lumens per Watt	132
SL2	4000K Lumens	28,346
	BUG Rating	B3-U0-G4
	Lumens per Watt	130
SL3	4000K Lumens	28,055
	BUG Rating	B3-U0-G4
	Lumens per Watt	129
SL4	4000K Lumens	27,502
	BUG Rating	B3-U0-G5
	Lumens per Watt	126
5NQ	4000K Lumens	28,355
	BUG Rating	B4-U0-G2
	Lumens per Watt	130
5MQ	4000K Lumens	28,699
	BUG Rating	B5-U0-G3
	Lumens per Watt	132
5WQ	4000K Lumens	29,177
	BUG Rating	B5-U0-G3
	Lumens per Watt	134
RW	4000K Lumens	29,287
	BUG Rating	B4-U0-G3
	Lumens per Watt	134

Current "C" (1050 mA)

Number of Light Squares		4
Nominal Power (Watts)		218
Optics		
11	4000K Lumens	11,452
	BUG Rating	B5-U0-G0
	Lumens per Watt	54.4
22	4000K Lumens	20,992
	BUG Rating	B5-U0-G0
	Lumens per Watt	96
33	4000K Lumens	20,913
	BUG Rating	B5-U0-G0
	Lumens per Watt	96
44	4000K Lumens	21,120
	BUG Rating	B5-U0-G0
	Lumens per Watt	97
55	4000K Lumens	20,325
	BUG Rating	B5-U0-G0
	Lumens per Watt	93
66	4000K Lumens	21,315
	BUG Rating	B4-U0-G1
	Lumens per Watt	98

Job Name : SECHELT AQUATIC CENTRE  
 Manufacturer : STREETWORKS  
 Model Number : IFLD-S-SA3-C-940-1-55-P-AP-CC

Type :  
**W15**

## Streetworks

## IFLD Infrastructure Flood Series

### Energy and Performance Data (IFLD-M)

Current "D" (1200 mA)

Number of Light Squares		4
Nominal Power (Watts)		250
Optics		
T2	4000K Lumens	31,245
	BUG Rating	B3-U0-G4
	Lumens per Watt	125
T2R	4000K Lumens	31,459
	BUG Rating	B3-U0-G4
	Lumens per Watt	126
T3	4000K Lumens	31,863
	BUG Rating	B3-U0-G4
	Lumens per Watt	128
T3R	4000K Lumens	30,729
	BUG Rating	B3-U0-G4
	Lumens per Watt	123
T4FT	4000K Lumens	32,049
	BUG Rating	B3-U0-G5
	Lumens per Watt	128
T4W	4000K Lumens	31,620
	BUG Rating	B3-U0-G5
	Lumens per Watt	127
SL2	4000K Lumens	31,190
	BUG Rating	B3-U0-G5
	Lumens per Watt	125
SL3	4000K Lumens	30,870
	BUG Rating	B3-U0-G4
	Lumens per Watt	124
SL4	4000K Lumens	30,261
	BUG Rating	B3-U0-G5
	Lumens per Watt	121
5NQ	4000K Lumens	31,200
	BUG Rating	B5-U0-G2
	Lumens per Watt	125
5MQ	4000K Lumens	31,578
	BUG Rating	B5-U0-G3
	Lumens per Watt	126
5WQ	4000K Lumens	32,104
	BUG Rating	B5-U0-G4
	Lumens per Watt	129
RW	4000K Lumens	32,225
	BUG Rating	B5-U0-G3
	Lumens per Watt	129

Current "D" (1200 mA)

Number of Light Squares		4
Nominal Power (Watts)		250
Optics		
11	4000K Lumens	12,601
	BUG Rating	B5-U0-G0
	Lumens per Watt	52.3
22	4000K Lumens	23,098
	BUG Rating	B5-U0-G1
	Lumens per Watt	93
33	4000K Lumens	23,011
	BUG Rating	B5-U0-G1
	Lumens per Watt	92
44	4000K Lumens	23,239
	BUG Rating	B5-U0-G1
	Lumens per Watt	93
55	4000K Lumens	22,364
	BUG Rating	B5-U0-G1
	Lumens per Watt	90
66	4000K Lumens	23,454
	BUG Rating	B5-U0-G1
	Lumens per Watt	94

Job Name : SECHELT AQUATIC CENTRE  
 Manufacturer : STREETWORKS  
 Model Number : IFLD-S-SA3-C-940-1-55-P-AP-CC

Type :  
**W15**

## Streetworks

## IFLD Infrastructure Flood Series

### Energy and Performance Data (IFLD-M)

Current "E" (1500 mA)

Number of Light Squares		4
Nominal Power (Watts)		315
Optics		
T2	4000K Lumens	36,159
	BUG Rating	B3-U0-G4
	Lumens per Watt	115
T2R	4000K Lumens	36,408
	BUG Rating	B3-U0-G4
	Lumens per Watt	116
T3	4000K Lumens	36,875
	BUG Rating	B3-U0-G4
	Lumens per Watt	117
T3R	4000K Lumens	35,562
	BUG Rating	B3-U0-G5
	Lumens per Watt	113
T4FT	4000K Lumens	37,090
	BUG Rating	B3-U0-G5
	Lumens per Watt	118
T4W	4000K Lumens	36,593
	BUG Rating	B3-U0-G5
	Lumens per Watt	116
SL2	4000K Lumens	36,096
	BUG Rating	B4-U0-G5
	Lumens per Watt	115
SL3	4000K Lumens	35,725
	BUG Rating	B3-U0-G5
	Lumens per Watt	113
SL4	4000K Lumens	35,020
	BUG Rating	B3-U0-G5
	Lumens per Watt	111
5NQ	4000K Lumens	36,107
	BUG Rating	B5-U0-G3
	Lumens per Watt	115
5MQ	4000K Lumens	36,545
	BUG Rating	B5-U0-G4
	Lumens per Watt	116
5WQ	4000K Lumens	37,153
	BUG Rating	B5-U0-G4
	Lumens per Watt	118
RW	4000K Lumens	37,294
	BUG Rating	B5-U0-G3
	Lumens per Watt	118

Current "E" (1500 mA)

Number of Light Squares		4
Nominal Power (Watts)		315
Optics		
11	4000K Lumens	14,583
	BUG Rating	B5-U0-G0
	Lumens per Watt	48
22	4000K Lumens	26,731
	BUG Rating	B5-U0-G1
	Lumens per Watt	85
33	4000K Lumens	26,631
	BUG Rating	B5-U0-G1
	Lumens per Watt	85
44	4000K Lumens	26,894
	BUG Rating	B5-U0-G1
	Lumens per Watt	85
55	4000K Lumens	25,881
	BUG Rating	B5-U0-G1
	Lumens per Watt	82
66	4000K Lumens	27,143
	BUG Rating	B5-U0-G1
	Lumens per Watt	86

Job Name : SECHELT AQUATIC CENTRE  
 Manufacturer : STREETWORKS  
 Model Number : IFLD-S-SA3-C-940-1-55-P-AP-CC

Type :  
**W15**

## Streetworks

## IFLD Infrastructure Flood Series

### Energy and Performance Data (IFLD-L)

Current "A" (600 mA)

Number of Light Squares		7	8
Nominal Power (Watts)		218	248
Optics			
T2	4000K Lumens	31,261	34,213
	BUG Rating	B3-U0-G4	B3-U0-G4
	Lumens per Watt	144	138
T2R	4000K Lumens	31,476	34,448
	BUG Rating	B3-U0-G4	B3-U0-G4
	Lumens per Watt	145	139
T3	4000K Lumens	31,880	34,891
	BUG Rating	B3-U0-G4	B3-U0-G4
	Lumens per Watt	147	141
T3R	4000K Lumens	30,745	33,648
	BUG Rating	B3-U0-G4	B3-U0-G5
	Lumens per Watt	141	136
T4FT	4000K Lumens	32,066	35,094
	BUG Rating	B3-U0-G5	B3-U0-G5
	Lumens per Watt	147	142
T4W	4000K Lumens	31,636	34,624
	BUG Rating	B3-U0-G5	B3-U0-G5
	Lumens per Watt	145	140
SL2	4000K Lumens	31,207	34,154
	BUG Rating	B3-U0-G5	B3-U0-G5
	Lumens per Watt	143	138
SL3	4000K Lumens	30,886	33,803
	BUG Rating	B3-U0-G4	B3-U0-G4
	Lumens per Watt	142	136
SL4	4000K Lumens	30,277	33,136
	BUG Rating	B3-U0-G5	B3-U0-G5
	Lumens per Watt	139	134
5NQ	4000K Lumens	31,216	34,164
	BUG Rating	B5-U0-G2	B5-U0-G3
	Lumens per Watt	143	138
5MQ	4000K Lumens	31,595	34,578
	BUG Rating	B5-U0-G3	B5-U0-G4
	Lumens per Watt	145	140
5WQ	4000K Lumens	32,121	35,154
	BUG Rating	B5-U0-G4	B5-U0-G4
	Lumens per Watt	148	142
RW	4000K Lumens	32,242	35,287
	BUG Rating	B5-U0-G3	B5-U0-G3
	Lumens per Watt	148	142

Current "A" (600 mA)

Number of Light Squares		7	8
Nominal Power (Watts)		218	248
Optics			
11	4000K Lumens	13,051	14,050
	BUG Rating	B5-U0-G0	B5-U0-G0
	Lumens per Watt	60	56.7
22	4000K Lumens	23,110	24,879
	BUG Rating	B5-U0-G1	B5-U0-G1
	Lumens per Watt	106	100
33	4000K Lumens	23,023	24,786
	BUG Rating	B5-U0-G1	B5-U0-G1
	Lumens per Watt	106	100
44	4000K Lumens	23,251	25,031
	BUG Rating	B5-U0-G1	B5-U0-G1
	Lumens per Watt	107	101
55	4000K Lumens	22,376	24,089
	BUG Rating	B5-U0-G1	B5-U0-G1
	Lumens per Watt	103	97
66	4000K Lumens	23,466	25,263
	BUG Rating	B5-U0-G1	B5-U0-G1
	Lumens per Watt	108	102

Job Name : SECHELT AQUATIC CENTRE  
 Manufacturer : STREETWORKS  
 Model Number : IFLD-S-SA3-C-940-1-55-P-AP-CC

Type :  
**W15**

## Streetworks

## IFLD Infrastructure Flood Series

### Energy and Performance Data (IFLD-L)

Current "B" (800 mA)

Number of Light Squares		7	8
Nominal Power (Watts)		281	320
Optics			
T2	4000K Lumens	35,567	40,648
	BUG Rating	B3-U0-G4	B4-U0-G5
	Lumens per Watt	127	127
T2R	4000K Lumens	35811.7	40927
	BUG Rating	B3-U0-G4	B3-U0-G4
	Lumens per Watt	127	128
T3	4000K Lumens	36,271	41,452
	BUG Rating	B3-U0-G4	B4-U0-G5
	Lumens per Watt	129	130
T3R	4000K Lumens	34,980	39,976
	BUG Rating	B3-U0-G5	B3-U0-G5
	Lumens per Watt	124	125
T4FT	4000K Lumens	36,483	41,694
	BUG Rating	B3-U0-G5	B3-U0-G5
	Lumens per Watt	130	130
T4W	4000K Lumens	35,994	41,135
	BUG Rating	B3-U0-G5	B4-U0-G5
	Lumens per Watt	128	129
SL2	4000K Lumens	35,505	40,577
	BUG Rating	B3-U0-G5	B4-U0-G5
	Lumens per Watt	126	127
SL3	4000K Lumens	35,140	40,160
	BUG Rating	B3-U0-G4	B3-U0-G5
	Lumens per Watt	125	125
SL4	4000K Lumens	34,447	39,368
	BUG Rating	B3-U0-G5	B3-U0-G5
	Lumens per Watt	123	123
5NQ	4000K Lumens	35,516	40,589
	BUG Rating	B5-U0-G3	B5-U0-G3
	Lumens per Watt	126	127
5MQ	4000K Lumens	35,947	41,081
	BUG Rating	B5-U0-G4	B5-U0-G4
	Lumens per Watt	128	128
5WQ	4000K Lumens	36,545	41,765
	BUG Rating	B5-U0-G4	B5-U0-G4
	Lumens per Watt	130	131
RW	4000K Lumens	36,684	41,923
	BUG Rating	B5-U0-G3	B5-U0-G3
	Lumens per Watt	131	131

Current "B" (800 mA)

Number of Light Squares		7	8
Nominal Power (Watts)		281	320
Optics			
11	4000K Lumens	14,849	16,693
	BUG Rating	B5-U0-G0	B5-U0-G0
	Lumens per Watt	52.8	52.2
22	4000K Lumens	26,293	29,558
	BUG Rating	B5-U0-G1	B5-U0-G1
	Lumens per Watt	94	92
33	4000K Lumens	26,195	29,448
	BUG Rating	B5-U0-G1	B5-U0-G1
	Lumens per Watt	93	92
44	4000K Lumens	26,454	29,739
	BUG Rating	B5-U0-G1	B5-U0-G1
	Lumens per Watt	94	93
55	4000K Lumens	25,458	28,620
	BUG Rating	B5-U0-G1	B5-U0-G1
	Lumens per Watt	91	89
66	4000K Lumens	26,698	30,014
	BUG Rating	B5-U0-G1	B5-U0-G1
	Lumens per Watt	95	94

Job Name : SECHELT AQUATIC CENTRE  
 Manufacturer : STREETWORKS  
 Model Number : IFLD-S-SA3-C-940-1-55-P-AP-CC

Type :  
**W15**

## Streetworks

## IFLD Infrastructure Flood Series

### Energy and Performance Data (IFLD-L)

#### Current "C" (1050 mA)

Number of Light Squares		7	8
Nominal Power (Watts)		369	420
Optics			
T2	4000K Lumens	44,275	50,600
	BUG Rating	B4-U0-G5	B4-U0-G5
	Lumens per Watt	120	120
T2R	4000K Lumens	44,579	50,948
	BUG Rating	B3-U0-G4	B3-U0-G5
	Lumens per Watt	121	121
T3	4000K Lumens	45,152	51,602
	BUG Rating	B4-U0-G5	B4-U0-G5
	Lumens per Watt	122	123
T3R	4000K Lumens	43,544	49,765
	BUG Rating	B3-U0-G5	B4-U0-G5
	Lumens per Watt	118	118
T4FT	4000K Lumens	45,415	51,903
	BUG Rating	B4-U0-G5	B4-U0-G5
	Lumens per Watt	123	123
T4W	4000K Lumens	44,806	51,208
	BUG Rating	B4-U0-G5	B4-U0-G5
	Lumens per Watt	121	122
SL2	4000K Lumens	44,198	50,512
	BUG Rating	B4-U0-G5	B4-U0-G5
	Lumens per Watt	120	120
SL3	4000K Lumens	43,744	49,993
	BUG Rating	B3-U0-G5	B3-U0-G5
	Lumens per Watt	119	119
SL4	4000K Lumens	42,881	49,007
	BUG Rating	B3-U0-G5	B3-U0-G5
	Lumens per Watt	116	117
5NQ	4000K Lumens	44,212	50,528
	BUG Rating	B5-U0-G3	B5-U0-G3
	Lumens per Watt	120	120
5MQ	4000K Lumens	44,747	51,140
	BUG Rating	B5-U0-G4	B5-U0-G4
	Lumens per Watt	121	122
5WQ	4000K Lumens	45,492	51,991
	BUG Rating	B5-U0-G4	B5-U0-G5
	Lumens per Watt	123	124
RW	4000K Lumens	45,665	52,189
	BUG Rating	B5-U0-G4	B5-U0-G4
	Lumens per Watt	124	124

#### Current "C" (1050 mA)

Number of Light Squares		7	8
Nominal Power (Watts)		369	420
Optics			
11	4000K Lumens	18,484	20,780
	BUG Rating	B5-U0-G0	B5-U0-G0
	Lumens per Watt	50.1	49.4
22	4000K Lumens	32,731	36,796
	BUG Rating	B5-U0-G1	B5-U0-G1
	Lumens per Watt	89	88
33	4000K Lumens	32,608	36,658
	BUG Rating	B5-U0-G1	B5-U0-G1
	Lumens per Watt	88	87
44	4000K Lumens	32,930	37,021
	BUG Rating	B5-U0-G1	B5-U0-G1
	Lumens per Watt	89	88
55	4000K Lumens	31,691	35,627
	BUG Rating	B5-U0-G1	B5-U0-G1
	Lumens per Watt	86	85
66	4000K Lumens	33,235	37,363
	BUG Rating	B5-U0-G1	B5-U0-G1
	Lumens per Watt	90	89

Job Name : SECHELT AQUATIC CENTRE  
 Manufacturer : STREETWORKS  
 Model Number : IFLD-S-SA3-C-940-1-55-P-AP-CC

Type :  
**W15**

## Streetworks

## IFLD Infrastructure Flood Series

### Energy and Performance Data (IFLD-L)

Current "D" (1200 mA)

Number of Light Squares		7	8
Nominal Power (Watts)		423	488
Optics			
T2	4000K Lumens	48,718	55,678
	BUG Rating	B4-U0-G5	B4-U0-G5
	Lumens per Watt	115	114
T2R	4000K Lumens	49,053	56,060
	BUG Rating	B3-U0-G5	B4-U0-G5
	Lumens per Watt	116	115
T3	4000K Lumens	49,682	56,780
	BUG Rating	B4-U0-G5	B4-U0-G5
	Lumens per Watt	118	116
T3R	4000K Lumens	47,913	54,758
	BUG Rating	B3-U0-G5	B4-U0-G5
	Lumens per Watt	113	112
T4FT	4000K Lumens	49,972	57,111
	BUG Rating	B4-U0-G5	B4-U0-G5
	Lumens per Watt	118	117
T4W	4000K Lumens	49,302	56,346
	BUG Rating	B4-U0-G5	B4-U0-G5
	Lumens per Watt	117	115
SL2	4000K Lumens	48,633	55,580
	BUG Rating	B4-U0-G5	B4-U0-G5
	Lumens per Watt	115	114
SL3	4000K Lumens	48,133	55,009
	BUG Rating	B3-U0-G5	B3-U0-G5
	Lumens per Watt	114	113
SL4	4000K Lumens	47,184	53,924
	BUG Rating	B3-U0-G5	B3-U0-G5
	Lumens per Watt	112	111
5NQ	4000K Lumens	48,648	55,598
	BUG Rating	B5-U0-G3	B5-U0-G4
	Lumens per Watt	115	114
5MQ	4000K Lumens	49,237	56,272
	BUG Rating	B5-U0-G4	B5-U0-G5
	Lumens per Watt	117	115
5WQ	4000K Lumens	50,057	57,208
	BUG Rating	B5-U0-G5	B5-U0-G5
	Lumens per Watt	118	117
RW	4000K Lumens	50,247	57,425
	BUG Rating	B5-U0-G4	B5-U0-G4
	Lumens per Watt	119	118

Current "D" (1200 mA)

Number of Light Squares		7	8
Nominal Power (Watts)		423	488
Optics			
11	4000K Lumens	20,339	22,865
	BUG Rating	B5-U0-G0	B5-U0-G0
	Lumens per Watt	48.1	46.8
22	4000K Lumens	36,015	40,488
	BUG Rating	B5-U0-G1	B5-U0-G1
	Lumens per Watt	85	83
33	4000K Lumens	35,880	40,337
	BUG Rating	B5-U0-G1	B5-U0-G1
	Lumens per Watt	85	83
44	4000K Lumens	36,235	40,735
	BUG Rating	B5-U0-G1	B5-U0-G1
	Lumens per Watt	86	83
55	4000K Lumens	34,871	39,202
	BUG Rating	B5-U0-G1	B5-U0-G1
	Lumens per Watt	83	80
66	4000K Lumens	36,570	41,112
	BUG Rating	B5-U0-G1	B5-U0-G1
	Lumens per Watt	87	84

Job Name : SEHEL T AQUATIC CENTRE  
 Manufacturer : STREETWORKS  
 Model Number : IFLD-S-SA3-C-940-1-55-P-AP-CC

Type :  
**W15**

## Streetworks

## IFLD Infrastructure Flood Series

### Energy and Performance Data (IFLD-L)

Current "E" (1500 mA)

Number of Light Squares		7
Nominal Power (Watts)		533
Optics		
T2	4000K Lumens	56,380
	BUG Rating	B4-U0-G5
	Lumens per Watt	106
T2R	4000K Lumens	56,768
	BUG Rating	B4-U0-G5
	Lumens per Watt	107
T3	4000K Lumens	57,497
	BUG Rating	B4-U0-G5
	Lumens per Watt	108
T3R	4000K Lumens	55,449
	BUG Rating	B4-U0-G5
	Lumens per Watt	104
T4FT	4000K Lumens	57,832
	BUG Rating	B4-U0-G5
	Lumens per Watt	109
T4W	4000K Lumens	57,057
	BUG Rating	B4-U0-G5
	Lumens per Watt	107
SL2	4000K Lumens	56,282
	BUG Rating	B4-U0-G5
	Lumens per Watt	106
SL3	4000K Lumens	55,704
	BUG Rating	B4-U0-G5
	Lumens per Watt	105
SL4	4000K Lumens	54,605
	BUG Rating	B3-U0-G5
	Lumens per Watt	103
5NQ	4000K Lumens	56,300
	BUG Rating	B5-U0-G4
	Lumens per Watt	106
5MQ	4000K Lumens	56,982
	BUG Rating	B5-U0-G5
	Lumens per Watt	107
5WQ	4000K Lumens	57,930
	BUG Rating	B5-U0-G5
	Lumens per Watt	109
RW	4000K Lumens	58,150
	BUG Rating	B5-U0-G4
	Lumens per Watt	109

Current "E" (1500 mA)

Number of Light Squares		7
Nominal Power (Watts)		533
Optics		
11	4000K Lumens	23,538
	BUG Rating	B5-U0-G0
	Lumens per Watt	44.2
22	4000K Lumens	41,680
	BUG Rating	B5-U0-G1
	Lumens per Watt	78
33	4000K Lumens	41,523
	BUG Rating	B5-U0-G1
	Lumens per Watt	78
44	4000K Lumens	41,934
	BUG Rating	B5-U0-G1
	Lumens per Watt	79
55	4000K Lumens	40,355
	BUG Rating	B5-U0-G1
	Lumens per Watt	76
66	4000K Lumens	42,322
	BUG Rating	B5-U0-G1
	Lumens per Watt	79

Job Name : SECHELT AQUATIC CENTRE  
 Manufacturer : STREETWORKS  
 Model Number : IFLD-S-SA6-A-940-1-44-P-AP-CC

Type :  
**M20**

Project		Catalog #		Type	
Prepared by		Notes		Date	



## Streetworks

### IFLD Infrastructure Flood Series

Floodlight & Sign Light Luminaire

#### Product Features



#### Interactive Menu

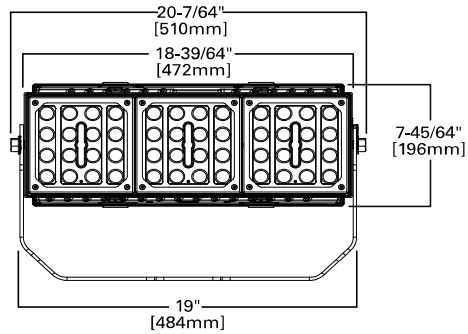
- Ordering Information page 2
- Product Specifications page 2
- Mounting Details page 3
- Optical Distributions page 5
- Energy and Performance Data page 6

#### Product Certifications

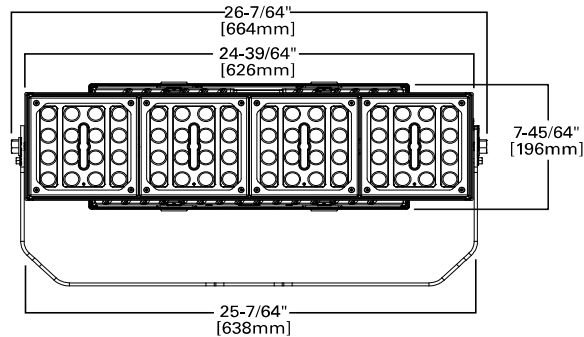


#### Dimensional Details

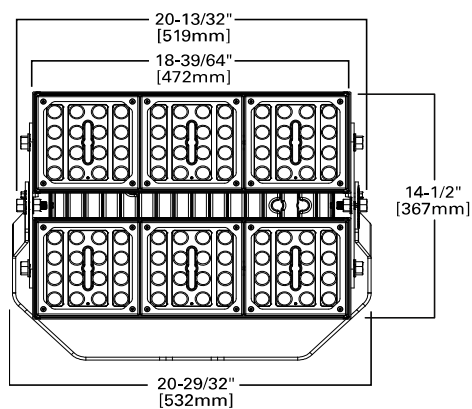
**IFLD-S Small 3 Square - Yoke Mount**



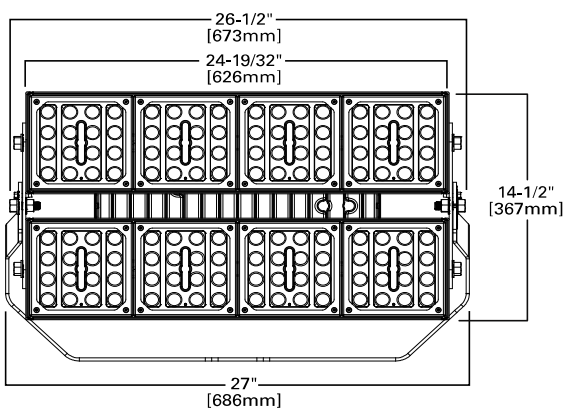
**IFLD-M Medium 4 Square - Yoke Mount**



**IFLD-S Small 6 Square - Yoke Mount**



**IFLD-L Large 8 Square - Yoke Mount**



**Job Name :** SECHLT AQUATIC CENTRE  
**Manufacturer :** STREETWORKS  
**Model Number :** IFLD-S-SA6-A-940-1-44-P-AP-CC

**Type :**  
**M20**

## Streetworks

## IFLD Infrastructure Flood Series

### Ordering Information

SAMPLE ORDER NUMBER: IFLD-S-SA3-A-940-U-66-Y-AP-10K-PR7

Product Family	Light Engine	Drive Current	Color Temperature	Voltage	Distribution	Mounting	Color
IFLD-S	SA2=2 Squares SA3=3 Squares SA6=6 Squares	A=600mA B=800mA C=1000mA D=1200mA E=1500mA	722=70CRI, 2200K 727=70CRI, 2700K 730=70CRI, 3000K 735=70CRI, 3500K 740=70CRI, 4000K 750=70CRI, 5000K 760=70CRI, 5700K 827=80CRI, 2700K 830=80CRI, 3000K 930=90CRI, 3000K 935=90CRI, 3500K 940=90CRI, 4000K 950=90CRI, 5000K AMB=Amber, 590nm <sup>2,3,16</sup>	U=120-277V H=347-480V I=120V 2=208V 3=240V 4=277V 8=480V <sup>21</sup> 9=347V	11=NEMA 1H x 1V <sup>4,5</sup> 22=NEMA 2H x 2V <sup>4,5</sup> 33=NEMA 3H x 3V <sup>4,5</sup> 44=NEMA 4H x 4V <sup>4,5</sup> 55=NEMA 5H x 5V <sup>4,5</sup> 66=NEMA 6H x 6V <sup>4,5</sup> T2=Type II T2R=Type II Roadway T3=Type III T3R=Type III Roadway T4FT=Type IV Forward Throw T4W=Type IV Wide 5NQ=Type V Narrow <sup>5</sup> 5MQ=Type V Square Medium <sup>5</sup> 5WQ=Type V Square Wide <sup>5</sup> SL2=Type II w/Spill Control SL3=Type III w/Spill Control SL4=Type IV w/Spill Control SLL=90° Spill Light Eliminator Left SLR=90° Spill Light Eliminator Right RW=Rectangular Wide Type I <sup>5</sup>	ADJA=Adjustable Arm Direct Pole Mount C=Slipfitter, 3" O.D. (Cord through housing) S=Slipfitter, 3" O.D. (Leads through slipfitter) Y=Yoke P=Pendant	AP=Grey BZ=Bronze BK=Black DP=Dark Platinum WH=White
IFLD-M	SA4=4 Squares						
IFLD-L	SA7=7 Squares SA8=8 Squares <sup>1</sup>						
Options (Add as Suffix)		Controls			Accessories (Order Separately)		
F=Single Fuse (120, 277 or 347V Specify Voltage) FF=Double Fuse (208, 240 or 480V Specify Voltage) 10K=10kV/10kA UL 1449 Surge Protective Device 20K=Series 20kV UL 1449 Surge Protective Device 20KI=Series 20kV UL 1449 Surge Protective Device with light indicator 10MSP=Parallel 10kV MOV Surge Protective Device 20MSP=Parallel 20kV MOV Surge Protective Device DIM=Dimming Wiring Leads <sup>6,7</sup> CC=Coastal Construction finish <sup>23</sup> Natatorium finish Confirmed by StreetWorks TH=Tool-less Door Hardware HSS=Installed House Side Shield <sup>8</sup> HA=50°C High Ambient <sup>1</sup> CXXXX=Cord Type <sup>24</sup> GNDM=Ground Mounted Application <sup>10,11</sup> 3G=3G Vibration rated <sup>12</sup> LCF=Light Square Trim Painted to Match Housing <sup>20</sup> 5LTD=DALI drivers option Dxxxxx=DOT Configuration - Contact Quotes Team Uxxxxx=Utility Configuration - Contact Quotes Team		SPB1=Dimming Occupancy Sensor with Bluetooth Interface, <8' Mounting <sup>13</sup> SPB2=Dimming Occupancy Sensor with Bluetooth Interface, 8' - 20' Mounting <sup>13</sup> SPB4=Dimming Occupancy Sensor with Bluetooth Interface, 21' - 40' Mounting <sup>13</sup> AHD145=After Hours Dim, 5 Hours <sup>14</sup> AHD245=After Hours Dim, 6 Hours <sup>14</sup> AHD255=After Hours Dim, 7 Hours <sup>14</sup> AHD355=After Hours Dim, 8 Hours <sup>14</sup> PR=NEMA 3-PIN Twistlock Photocontrol Receptacle PR7=NEMA 7-PIN Twistlock Photocontrol Receptacle <sup>25</sup> PSC=Photocontrol Shorting Cap NPC=NEMA Photocontrol - Multi-Tap LLPC=Longlife Photocontrol Included LLPC-FO=Long-life Photocontrol (Fail-Off) FADC=Field Adjustable Dimming Controller <sup>15</sup>			OA / RA1013=Photocontrol Shorting Cap OA1223=10kV Surge Module Replacement SRA238=2-3/8" Tenon Sleeve Adapter TYS-XX=Slipfitter Adapter for 2-3/8", 3" or 3-1/2" O.D. Tenon <sup>18,19,22</sup> WRGX=Wire guard for "X" LightSquare(s) <sup>17</sup> VSHX=Vandal shield for "X" LightSquare(s) <sup>8,17</sup> LSHX=Louvershield for "X" LightSquare(s) <sup>17,20</sup>		

#### NOTES:

- Not available with 1.5A drive current.
- Not available with "HA" option.
- Available only with 5WQ, 5MQ, SL2, SL3, and SL4 distributions.
- 90 CRI CCTs compatibility only.
- HSS not available.
- Can not be used with any of the "SPB" sensors.
- Only available with 16 AWG leads. 18' leads brought outside of fixture.
- Not available with "HA" or 1.5A drive current options.
- Reserved.
- Not available with Tool-less door hardware (TH).
- Not available with yoke or pendant mounting.
- Not available with pendant mounting.
- Not available with (GNDM) ground mount option. Smart device with Sensor Configuration mobile application required to change system defaults.
- Can not be used with DALI drivers or FADC. Requires the use of NPC photocontrol or the PR7 or PR photocontrol receptacle with photocontrol accessory.
- Not available with DALI drivers, or motion sensors (SPB).
- Only available at 500mA drive current. Use "A" drive current. Narrow-band 590nm +/- 5nm for wildlife and observatory use.
- Replace "X" with the number of lightsquares on luminaire.
- Not available for IFLD-L..
- Not available with 3G vibration rating.
- Not available on NEMA flood optics.
- Only for use with 480V Wye systems. Per NEC, not for use with ungrounded systems, impedance grounded systems or corner grounded systems (commonly known as Three Phase Three Wire Delta, Three Phase High Leg Delta and Three Phase Corner Grounded Delta systems).
- Not available with slipfitter mount.
- Coastal construction finish salt spray tested to over 5,000-hours per ASTM B117, with a scribe rating of 9 per ASTM D1654.
- 3-conductor cord available in 14 and 16 gauge with lengths of 5, 8, 10, 15, 20, and 25 feet. Specify cord gauge with the first 2 digits and cord length with the last 2 digits (ex: C1605 = 16-gauge, 5 feet length cord). Standard cord is 16-gauge with length of 3.5ft if not specified.
- Not available with motion sensors.

### Product Specifications

#### Construction

- Heavy-duty Die cast aluminum housing, door, and heat sink
- A separate driver compartment and external fins provide optimal thermal management that result in longer LED and driver life
- 3 housing sizes (Small, Medium, and Large) ranging from 2 to 8 squares
- The housing, optical chamber and driver compartment are IP66 rated
- Access to the driver for maintenance is achieved with a removable driver door
- The fixture is optional 3G vibration rated (ANSI C136.31) to ensure durability in area and site lighting applications

#### Optics

- High-efficiency injection-molded AccuLED Optics technology
- 20 optical distributions for flood, area site, and roadway applications
- Optics are precisely designed to shape the NEMA type flood distributions, maximizing efficiency and application spacing

- Louver shields, vandal shields, visors, and wire guard accessories available
- Various CCTs available, 2200K, 2700K, 3000K, 3500K, 4000K, 5000K, 5700K, and 590nm amber
- CCTs offered in 70 or 80 CRI for roadway optics and 90CRI for NEMA flood optics
- IDA Certified for 3000K CCT and warmer only

#### Electrical

- 120-277V 50/60Hz, 347V 60Hz or 480V 60Hz operation
- 10kV and 20kV surge or parallel surge protection options available
- 0-10V dimming driver is standard to accommodate controls capability such as dimming and occupancy
- Available with 3-PIN or 7-PIN NEMA photocontrol receptacles
- Suitable for ambient temperatures from -40°C to 40°C; Optional 50°C HA (high ambient) available
- Luminaire available with the field adjustable dimming controller (FADC) to manually adjust wattage and reduce the total lumen output and light levels; Comes pre-set to the highest position

at the lumen output selected

#### Mounting

- Mounting options include an integral die-cast aluminum slipfitter, galvanized steel yoke, and pendant mount (pendant supplied by others)
- The slipfitter fits standard 3" O.D. tenon.
- SRA238 adapter available for 2-3/8" OD applications
- The yoke mounting includes a polyester powder coated galvanized steel yoke with a 16/3 STW-A cord
- The yoke mount uses an interlocking slide adjustment that is locked in place with a set screw

#### Finish

- Housing and cast parts finished in five-stage super TGIC polyester powder coat paint, 2.5 mil nominal thickness for superior protection against fade and wear
- Coastal construction finish option available



PS506083EN page 2  
 January 14, 2025 10:26 AM

Prepared By: Mac's ii Design Team

Job Name : SECHELT AQUATIC CENTRE  
 Manufacturer : STREETWORKS  
 Model Number : IFLD-S-SA6-A-940-1-44-P-AP-CC

Type :  
**M20**

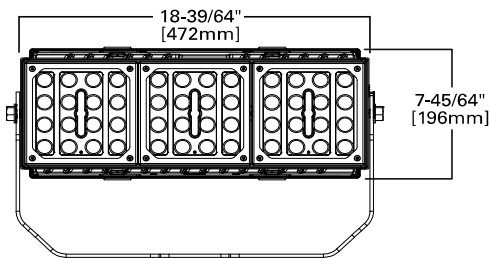
## Streetworks

## IFLD Infrastructure Flood Series

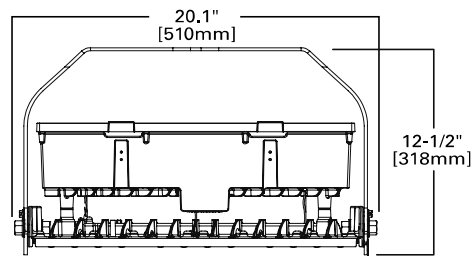
### Mounting Details - 3 Square

 Supplemental Line Art

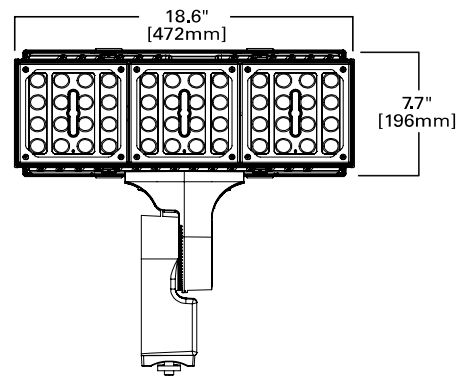
**Yoke Mount**



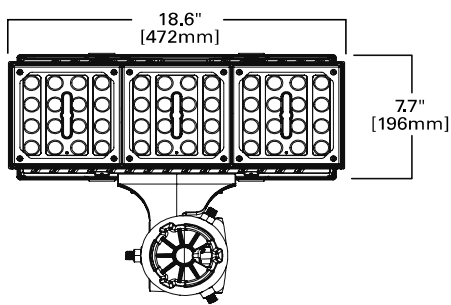
**Pendant Mount**



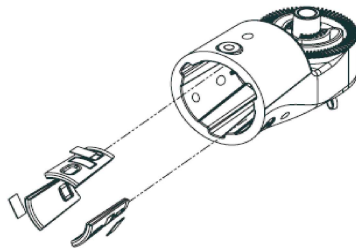
**Direct Pole Mount**



**Slipfitter**

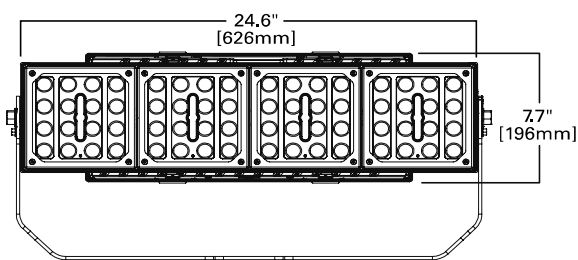


**Slipfitter Spacer (SRA238)**

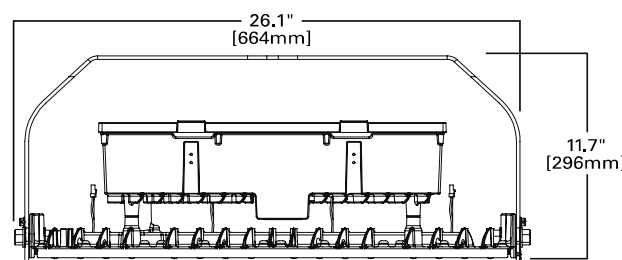


### Mounting Details - 4 Square

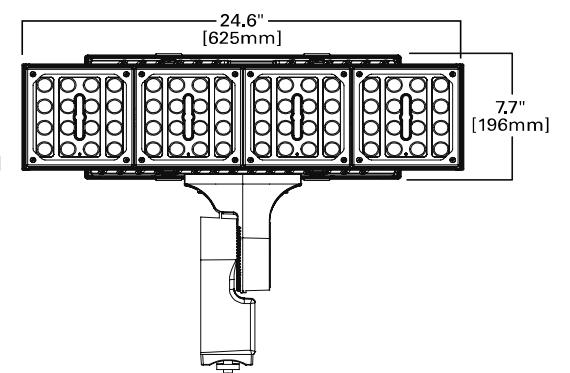
**Yoke Mount**



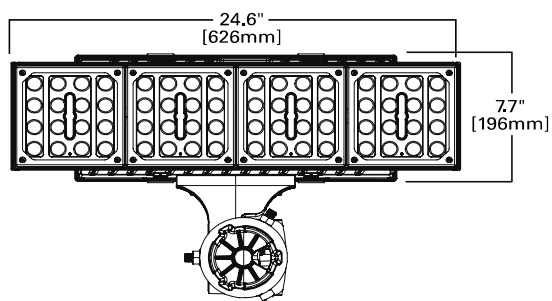
**Pendant Mount**



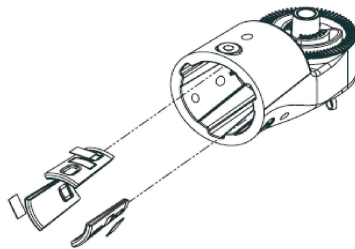
**Direct Pole Mount**



**Slipfitter**



**Slipfitter Spacer (SRA238)**



Job Name : SECHLT AQUATIC CENTRE  
 Manufacturer : STREETWORKS  
 Model Number : IFLD-S-SA6-A-940-1-44-P-AP-CC

Type :  
**M20**

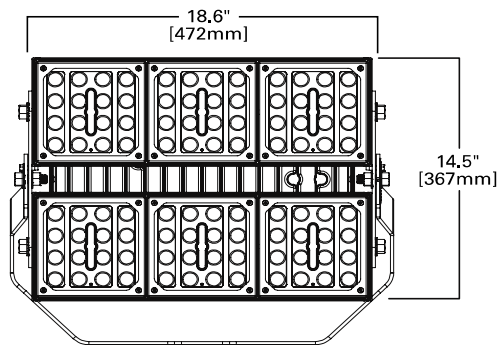
## Streetworks

## IFLD Infrastructure Flood Series

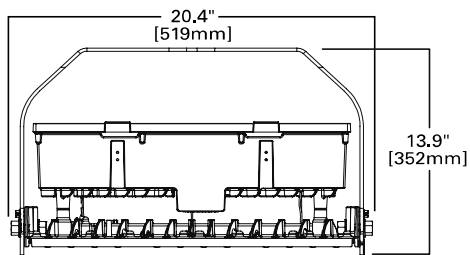
### Mounting Details - 6 Square

 Supplemental Line Art

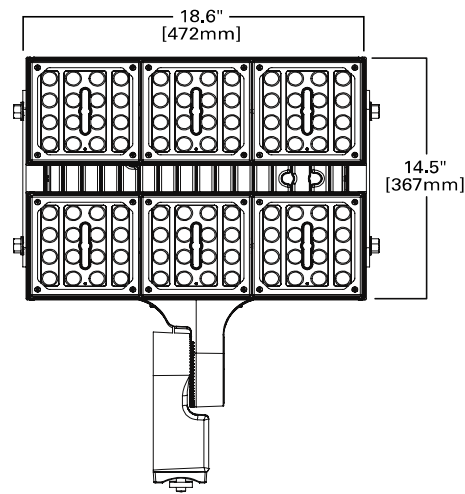
**Yoke Mount**



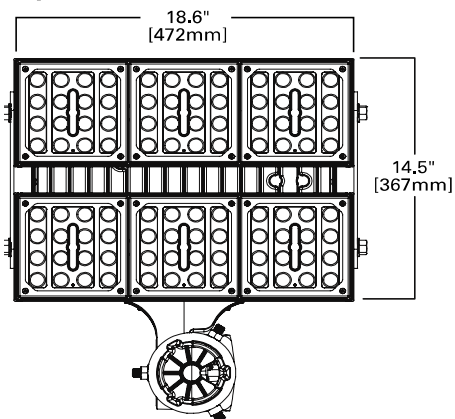
**Pendant Mount**



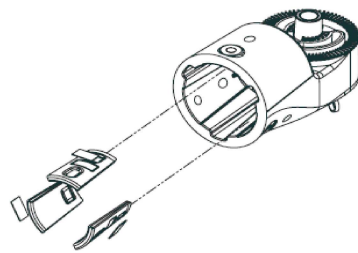
**Direct Pole Mount**



**Slipfitter**

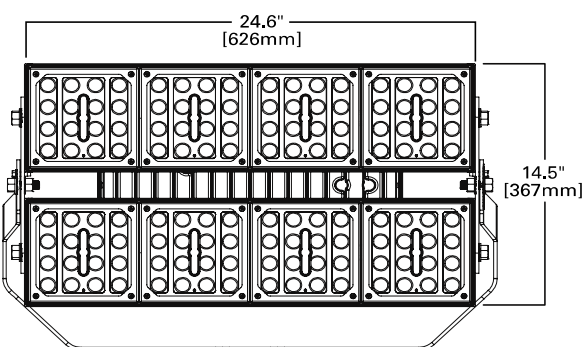


**Slipfitter Spacer (SRA238)**

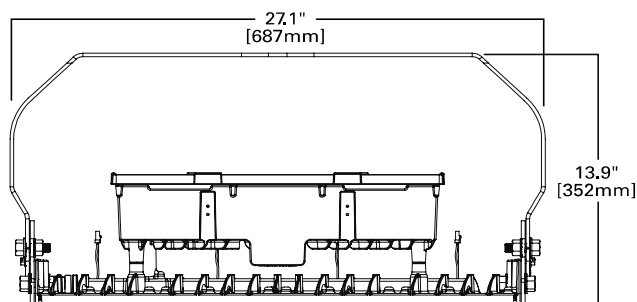


### Mounting Details - 8 Square

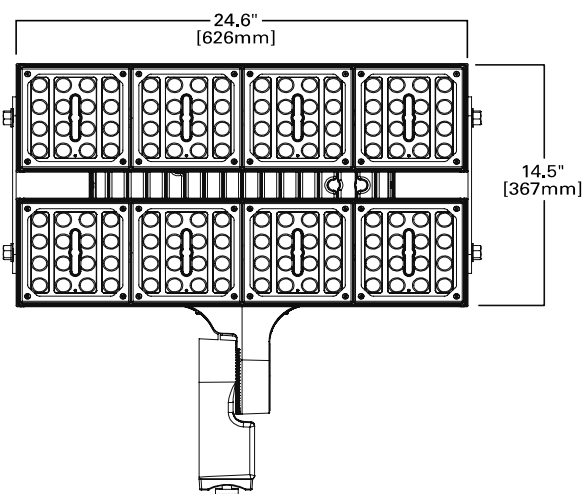
**Yoke Mount**



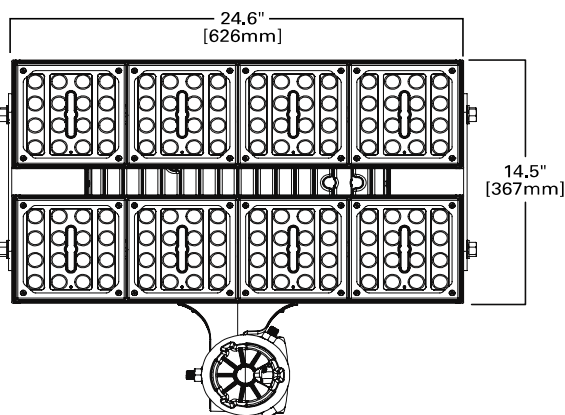
**Pendant Mount**



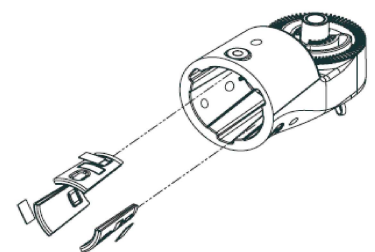
**Direct Pole Mount**



**Slipfitter**



**Slipfitter Spacer (SRA238)**



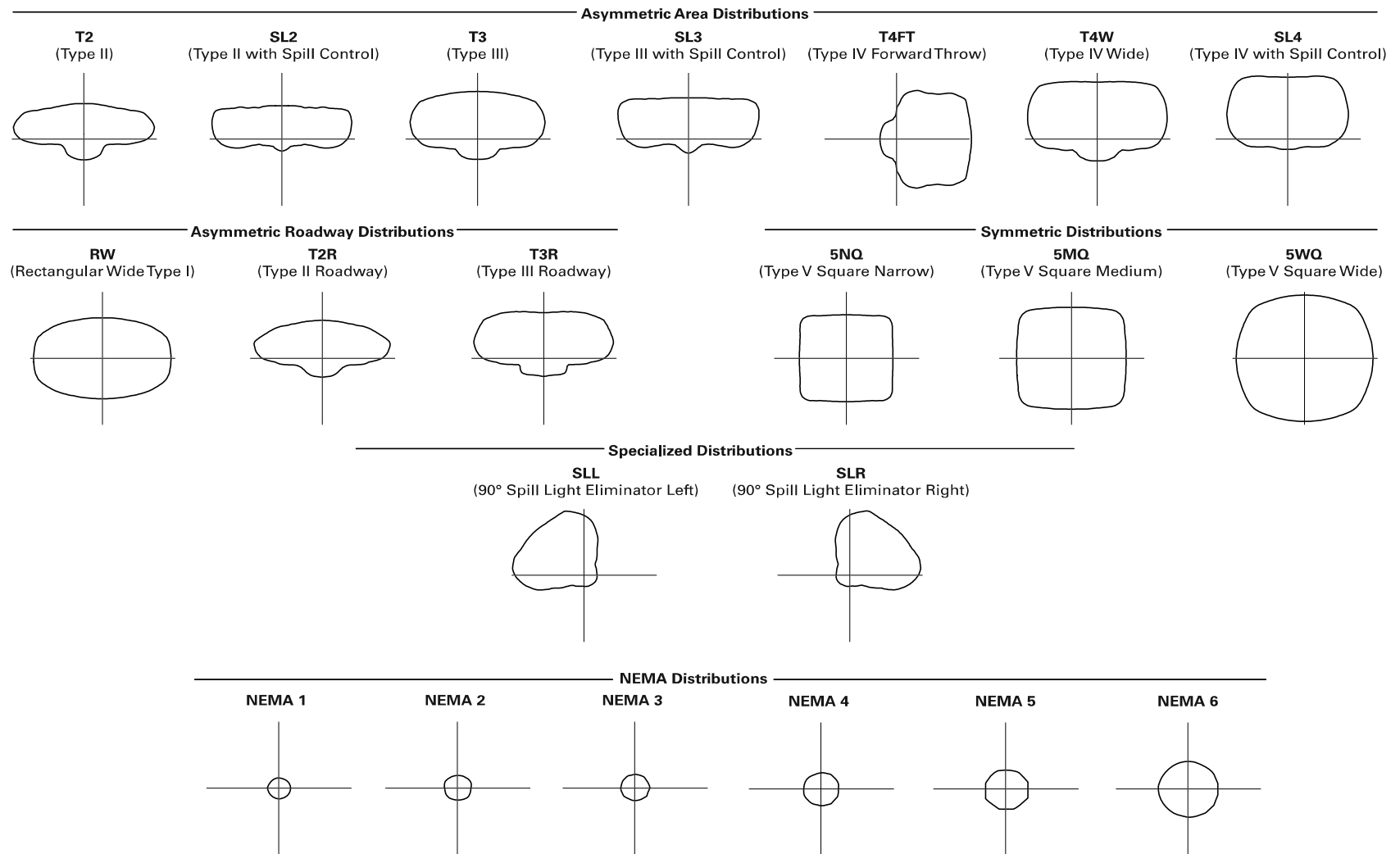
Job Name : SEHEL T AQUATIC CENTRE  
 Manufacturer : STREETWORKS  
 Model Number : IFLD-S-SA6-A-940-1-44-P-AP-CC

Type :  
**M20**

## Streetworks

## IFLD Infrastructure Flood Series

### Optical Distributions



**Job Name :** SECHELT AQUATIC CENTRE  
**Manufacturer :** STREETWORKS  
**Model Number :** IFLD-S-SA6-A-940-1-44-P-AP-CC

**Type :**  
**M20**

## Streetworks

## IFLD Infrastructure Flood Series

### Energy and Performance Data

#### Lumen Maintenance (TM-21)

Drive Current	Ambient Temperature	25,000 hours*	50,000 hours*	60,000 hours*	100,000 hours**	Theoretical L70 hours**
Up to 1A	25°C	99.4%	99.0%	98.9%	98.3%	> 2.4M
	40°C	98.7%	98.3%	98.1%	97.4%	> 1.9M
	50°C	98.2%	97.2%	96.8%	95.2%	> 851,000
1.2A	25°C	99.4%	99.0%	98.9%	98.3%	> 2.4M
	40°C	98.5%	97.9%	97.7%	96.7%	> 1.3M

\* Supported by IES TM-21 standards  
 \*\* Theoretical values represent estimations commonly used; however, refer to the IES position on LED Product Lifetime Prediction, IES PS-10-18, explaining proper use of IES TM-21 and LM-80.

#### Lumen Multiplier

Ambient Temperature	Lumen Multiplier
0°C	1.02
10°C	1.01
25°C	1.00
40°C	0.99
50°C	0.97

#### FADC Settings

FADC Position	Percent of Typical Lumen Output
1	27%
2	48%
3	57%
4	57%
5	64%
6	74%
7	79%
8	89%
9	94%
10	100%

#### Performance Table

##### Drive Current "C" (1050mA)

Square Count	7	8
Input Current @ 120V	3.15	3.58
Input Current @ 208V	1.85	2.11
Input Current @ 240V	1.59	1.80
Input Current @ 277V	1.40	1.59
Input Current @ 347V	1.12	1.27
Input Current @ 480V	0.81	0.92

#### Performance Table

##### Drive Current "D" (1200mA)

Square Count	7	8
Input Current @ 120V	3.62	4.10
Input Current @ 208V	2.12	2.40
Input Current @ 240V	1.84	2.06
Input Current @ 277V	1.62	1.81
Input Current @ 347V	1.24	1.40
Input Current @ 480V	0.90	1.01

#### Fixture Weights

LightSquare Count	2	3	6	4	7	8
Fixture Size	IFLD-S	IFLD-S	IFLD-S	IFLD-M	IFLD-L	IFLD-L
Yoke	24	24	46	26	51	51
Pendant	25	25	42	26	45	45
Slipfitter	28	28	46	30	47	47

#### EPA Data

LightSquare Count	2	3	6	4	7	8
Fixture Size	IFLD-S	IFLD-S	IFLD-S	IFLD-M	IFLD-L	IFLD-L
Yoke	1.61	1.61	2.38	1.64	2.78	2.78
Pendant	1.6	1.6	2.34	1.89	2.9	2.9
Slipfitter	1.77	1.77	2.47	2.04	2.99	2.99

Job Name : SECHELT AQUATIC CENTRE  
 Manufacturer : STREETWORKS  
 Model Number : IFLD-S-SA6-A-940-1-44-P-AP-CC

Type :  
**M20**

## Streetworks

## IFLD Infrastructure Flood Series

### Energy and Performance Data (IFLD-S)

Current "A" (600 mA)

Number of Light Squares		2	3	6
Nominal Power (Watts)		64	94	190
Optics				
T2	4000K Lumens	9,220	13,741	26,956
	BUG Rating	B2-U0-G2	B2-U0-G2	B3-U0-G4
	Lumens per Watt	144	146	142
T2R	4000K Lumens	9,284	13,836	27,141
	BUG Rating	B1-U0-G2	B2-U0-G2	B3-U0-G3
	Lumens per Watt	145	147	143
T3	4000K Lumens	9,403	14,013	27,489
	BUG Rating	B2-U0-G2	B2-U0-G2	B3-U0-G4
	Lumens per Watt	147	149	145
T3R	4000K Lumens	9,068	13,514	26,510
	BUG Rating	B1-U0-G2	B2-U0-G3	B3-U0-G4
	Lumens per Watt	142	144	140
T4FT	4000K Lumens	9,458	14,095	27,650
	BUG Rating	B2-U0-G2	B2-U0-G3	B3-U0-G4
	Lumens per Watt	148	150	146
T4W	4000K Lumens	9,331	13,906	27,279
	BUG Rating	B2-U0-G2	B2-U0-G3	B3-U0-G4
	Lumens per Watt	146	148	144
SL2	4000K Lumens	9,205	13,717	26,909
	BUG Rating	B2-U0-G3	B2-U0-G3	B3-U0-G4
	Lumens per Watt	144	146	142
SL3	4000K Lumens	9,109	13,576	26,633
	BUG Rating	B1-U0-G2	B2-U0-G2	B3-U0-G4
	Lumens per Watt	142	144	140
SL4	4000K Lumens	8,930	13,309	26,107
	BUG Rating	B1-U0-G3	B2-U0-G3	B3-U0-G5
	Lumens per Watt	140	142	137
5NQ	4000K Lumens	9,207	13,722	26,917
	BUG Rating	B3-U0-G1	B3-U0-G2	B4-U0-G2
	Lumens per Watt	144	146	142
5MQ	4000K Lumens	9,319	13,887	27,244
	BUG Rating	B3-U0-G2	B4-U0-G2	B5-U0-G3
	Lumens per Watt	146	148	143
5WQ	4000K Lumens	9,474	14,119	27,697
	BUG Rating	B3-U0-G2	B4-U0-G2	B5-U0-G3
	Lumens per Watt	148	150	146
RW	4000K Lumens	9510	14173	27802
	BUG Rating	B3-U0-G1	B3-U0-G2	B4-U0-G2
	Lumens per Watt	149	151	146

Job Name : SECHELT AQUATIC CENTRE  
 Manufacturer : STREETWORKS  
 Model Number : IFLD-S-SA6-A-940-1-44-P-AP-CC

Type :  
**M20**

## Streetworks

## IFLD Infrastructure Flood Series

### Energy and Performance Data (IFLD-S)

#### Current "A" (600 mA) - Continued

Number of Light Squares		2	3	6
Nominal Power (Watts)		64	94	190
Optics				
11	4000K Lumens	3,849	5,737	11,254
	BUG Rating	B5-U0-G0	B4-U0-G0	B4-U0-G0
	Lumens per Watt	60.3	60.5	59.4
22	4000K Lumens	6,816	10,158	19,927
	BUG Rating	B4-U0-G1	B4-U0-G1	B5-U0-G1
	Lumens per Watt	107	108	105
33	4000K Lumens	6,791	10,120	19,853
	BUG Rating	B4-U0-G1	B4-U0-G1	B5-U0-G1
	Lumens per Watt	106	108	104
44	4000K Lumens	6,858	10,220	20,049
	BUG Rating	B4-U0-G1	B4-U0-G1	B5-U0-G1
	Lumens per Watt	107	109	106
55	4000K Lumens	6,600	9,836	19,294
	BUG Rating	B3-U0-G1	B4-U0-G1	B5-U0-G1
	Lumens per Watt	103	105	102
66	4000K Lumens	6,921	10,315	20,234
	BUG Rating	B3-U0-G0	B3-U0-G1	B4-U0-G1
	Lumens per Watt	108	110	106

#### Current "B" (800 mA)

Number of Light Squares		2	3	6
Nominal Power (Watts)		82	122	245
Optics				
T2	4000K Lumens	11,403	16,995	33,338
	BUG Rating	B2-U0-G2	B3-U0-G3	B3-U0-G4
	Lumens per Watt	139	139	136
T2R	4000K Lumens	11,482	17,111	33,567
	BUG Rating	B2-U0-G2	B2-U0-G2	B3-U0-G4
	Lumens per Watt	140	140	137
T3	4000K Lumens	11,629	17,331	33,998
	BUG Rating	B2-U0-G2	B3-U0-G3	B3-U0-G4
	Lumens per Watt	142	142	139
T3R	4000K Lumens	11,215	16,714	32,787
	BUG Rating	B2-U0-G2	B2-U0-G3	B3-U0-G5
	Lumens per Watt	137	137	134

Job Name : SECHELT AQUATIC CENTRE  
 Manufacturer : STREETWORKS  
 Model Number : IFLD-S-SA6-A-940-1-44-P-AP-CC

Type :  
**M20**

## Streetworks

## IFLD Infrastructure Flood Series

### Energy and Performance Data (IFLD-S)

Current "B" (800 mA) - Continued

Number of Light Squares		2	3	6
Nominal Power (Watts)		82	122	245
Optics				
T4FT	4000K Lumens	11,697	17,432	34,196
	BUG Rating	B2-U0-G3	B3-U0-G3	B3-U0-G5
	Lumens per Watt	143	142	140
T4W	4000K Lumens	11,540	17,198	33,738
	BUG Rating	B2-U0-G2	B3-U0-G3	B3-U0-G5
	Lumens per Watt	141	141	138
SL2	4000K Lumens	11,384	16,965	33,280
	BUG Rating	B2-U0-G3	B3-U0-G3	B3-U0-G5
	Lumens per Watt	139	139	136
SL3	4000K Lumens	11,267	16,791	32,938
	BUG Rating	B2-U0-G2	B2-U0-G3	B3-U0-G4
	Lumens per Watt	137	137	134
SL4	4000K Lumens	11,044	16,459	32,288
	BUG Rating	B1-U0-G3	B2-U0-G4	B3-U0-G5
	Lumens per Watt	135	134	132
5NQ	4000K Lumens	11,387	16,970	33,290
	BUG Rating	B3-U0-G1	B3-U0-G2	B5-U0-G2
	Lumens per Watt	139	139	136
5MQ	4000K Lumens	11,525	17,176	33,693
	BUG Rating	B4-U0-G2	B4-U0-G2	B5-U0-G4
	Lumens per Watt	141	14	138
5WQ	4000K Lumens	11,717	17,462	34,254
	BUG Rating	B4-U0-G2	B4-U0-G2	B5-U0-G4
	Lumens per Watt	143	143	140
RW	4000K Lumens	11,761	17,528	34,384
	BUG Rating	B3-U0-G2	B4-U0-G2	B5-U0-G3
	Lumens per Watt	143	143	140

Job Name : SECHELT AQUATIC CENTRE  
 Manufacturer : STREETWORKS  
 Model Number : IFLD-S-SA6-A-940-1-44-P-AP-CC

Type :  
**M20**

## Streetworks

## IFLD Infrastructure Flood Series

### Energy and Performance Data (IFLD-S)

#### Current "B" (800 mA) - Continued

Number of Light Squares		2	3	6
Nominal Power (Watts)		82	122	245
<b>Optics</b>				
11	4000K Lumens	4,761	7,095	13,918
	BUG Rating	B3-U0-G0	B4-U0-G0	B5-U0-G0
	Lumens per Watt	57.8	58	56.8
22	4000K Lumens	8,430	12,563	24,645
	BUG Rating	B4-U0-G1	B5-U0-G1	B5-U0-G1
	Lumens per Watt	103	103	101
33	4000K Lumens	8,398	12,516	24,553
	BUG Rating	B4-U0-G1	B5-U0-G1	B5-U0-G1
	Lumens per Watt	102	102	100
44	4000K Lumens	8,482	12,640	24,796
	BUG Rating	B4-U0-G1	B5-U0-G1	B5-U0-G1
	Lumens per Watt	103	103	101
55	4000K Lumens	8,160	12,164	23,862
	BUG Rating	B4-U0-G1	B4-U0-G1	B5-U0-G1
	Lumens per Watt	10	99	97
66	4000K Lumens	8,560	12,757	25,025
	BUG Rating	B3-U0-G1	B4-U0-G1	B5-U0-G1
	Lumens per Watt	104	104	102

#### Current "C" (1050 mA)

Number of Light Squares		2	3	6
Nominal Power (Watts)		108	160	321
<b>Optics</b>				
T2	4000K Lumens	14,196	21,155	41,500
	BUG Rating	B2-U0-G2	B3-U0-G3	B4-U0-G5
	Lumens per Watt	131	132	129
T2R	4000K Lumens	14,293	21,301	41,785
	BUG Rating	B2-U0-G2	B2-U0-G3	B3-U0-G4
	Lumens per Watt	132	133	130
T3	4000K Lumens	14,477	21,574	42,321
	BUG Rating	B2-U0-G2	B3-U0-G3	B4-U0-G5
	Lumens per Watt	134	135	132
T3R	4000K Lumens	13,961	20,806	40,814
	BUG Rating	B2-U0-G3	B3-U0-G4	B3-U0-G5
	Lumens per Watt	129	130	127
T4FT	4000K Lumens	14,561	21,700	42,568
	BUG Rating	B2-U0-G3	B3-U0-G4	B3-U0-G5
	Lumens per Watt	135	136	133

Job Name : SECHELT AQUATIC CENTRE  
 Manufacturer : STREETWORKS  
 Model Number : IFLD-S-SA6-A-940-1-44-P-AP-CC

Type :  
**M20**

## Streetworks

## IFLD Infrastructure Flood Series

### Energy and Performance Data (IFLD-S)

Current "C" (1050 mA) - Continued

Number of Light Squares		2	3	6
Nominal Power (Watts)		108	160	321
Optics				
T4W	4000K Lumens	14,366	21,409	41,998
	BUG Rating	B2-U0-G3	B3-U0-G4	B4-U0-G5
	Lumens per Watt	133	134	131
SL2	4000K Lumens	14,171	21,118	41,427
	BUG Rating	B2-U0-G3	B3-U0-G4	B4-U0-G5
	Lumens per Watt	131	132	129
SL3	4000K Lumens	14,025	20,901	41,002
	BUG Rating	B2-U0-G2	B2-U0-G3	B3-U0-G5
	Lumens per Watt	130	131	128
SL4	4000K Lumens	13,749	20,489	40,193
	BUG Rating	B2-U0-G3	B2-U0-G4	B3-U0-G5
	Lumens per Watt	127	128	125
5NQ	4000K Lumens	14,175	21,125	41,440
	BUG Rating	B3-U0-G2	B4-U0-G2	B5-U0-G3
	Lumens per Watt	131	132	129
5MQ	4000K Lumens	14,347	21,381	41,942
	BUG Rating	B4-U0-G2	B4-U0-G2	B5-U0-G4
	Lumens per Watt	133	134	131
5WQ	4000K Lumens	14,586	21,737	42,640
	BUG Rating	B4-U0-G2	B5-U0-G3	B5-U0-G4
	Lumens per Watt	135	136	133
RW	4000K Lumens	14,641	21,819	42,802
	BUG Rating	B3-U0-G2	B4-U0-G2	B5-U0-G3
	Lumens per Watt	136	136	133
11	4000K Lumens	5,926	8,832	17,325
	BUG Rating	B4-U0-G0	B4-U0-G0	B5-U0-G0
	Lumens per Watt	54.8	54.9	53.9
22	4000K Lumens	10,494	15,639	30,679
	BUG Rating	B4-U0-G1	B5-U0-G1	B5-U0-G1
	Lumens per Watt	97	98	96
33	4000K Lumens	10,455	15,581	30,564
	BUG Rating	B4-U0-G1	B5-U0-G1	B5-U0-G1
	Lumens per Watt	97	97	95
44	4000K Lumens	10,558	15,735	30,866
	BUG Rating	B4-U0-G1	B5-U0-G1	B5-U0-G1
	Lumens per Watt	98	98	96
55	4000K Lumens	10,161	15,142	29,704
	BUG Rating	B4-U0-G1	B4-U0-G1	B5-U0-G1
	Lumens per Watt	94	95	93
66	4000K Lumens	10,656	15,880	31,151
	BUG Rating	B3-U0-G1	B4-U0-G1	B5-U0-G1
	Lumens per Watt	99	99	97

Job Name : SECHELT AQUATIC CENTRE  
 Manufacturer : STREETWORKS  
 Model Number : IFLD-S-SA6-A-940-1-44-P-AP-CC

Type :  
**M20**

## Streetworks

## IFLD Infrastructure Flood Series

### Energy and Performance Data (IFLD-S)

Current "D" (1200 mA) - Continued

Number of Light Squares		2	3	6
Nominal Power (Watts)		124	184	368
Optics				
T2	4000K Lumens	15,620	23,278	45,664
	BUG Rating	B3-U0-G3	B3-U0-G3	B4-U0-G5
	Lumens per Watt	126	127	124
T2R	4000K Lumens	15,727	23,438	45,978
	BUG Rating	B2-U0-G2	B3-U0-G3	B3-U0-G5
	Lumens per Watt	127	127	125
T3	4000K Lumens	15,929	23,739	46,568
	BUG Rating	B2-U0-G3	B3-U0-G4	B4-U0-G5
	Lumens per Watt	129	129	126
T3R	4000K Lumens	15,370	22,893	44,910
	BUG Rating	B2-U0-G3	B3-U0-G4	B3-U0-G5
	Lumens per Watt	124	124	122
T4FT	4000K Lumens	16,022	23,877	46,840
	BUG Rating	B2-U0-G3	B3-U0-G4	B4-U0-G5
	Lumens per Watt	129	130	127
T4W	4000K Lumens	15,807	23,557	46,212
	BUG Rating	B3-U0-G3	B3-U0-G4	B4-U0-G5
	Lumens per Watt	128	128	126
SL2	4000K Lumens	15,593	23,237	45,585
	BUG Rating	B3-U0-G3	B3-U0-G4	B4-U0-G5
	Lumens per Watt	126	126	124
SL3	4000K Lumens	15,432	22,998	45,116
	BUG Rating	B2-U0-G3	B3-U0-G4	B3-U0-G5
	Lumens per Watt	125	125	123
SL4	4000K Lumens	15,128	22,545	44,226
	BUG Rating	B2-U0-G3	B2-U0-G4	B3-U0-G5
	Lumens per Watt	122	123	120
5NQ	4000K Lumens	15,597	23,244	45,599
	BUG Rating	B3-U0-G2	B4-U0-G2	B5-U0-G3
	Lumens per Watt	126	126	124
5MQ	4000K Lumens	15,787	23,526	46,152
	BUG Rating	B4-U0-G2	B5-U0-G3	B5-U0-G4
	Lumens per Watt	127	128	125
5WQ	4000K Lumens	16,049	23,918	46,920
	BUG Rating	B4-U0-G2	B5-U0-G3	B5-U0-G5
	Lumens per Watt	130	130	127
RW	4000K Lumens	16,110	24,008	47,098
	BUG Rating	B4-U0-G2	B4-U0-G2	B5-U0-G4
	Lumens per Watt	130	130	128

Job Name : SECHELT AQUATIC CENTRE  
 Manufacturer : STREETWORKS  
 Model Number : IFLD-S-SA6-A-940-1-44-P-AP-CC

Type :  
**M20**

## Streetworks

## IFLD Infrastructure Flood Series

### Energy and Performance Data (IFLD-S)

#### Current "D" (1200 mA) - Continued

Number of Light Squares		2	3	6
Nominal Power (Watts)		124	184	368
Optics				
11	4000K Lumens	6,521	9,718	19,064
	BUG Rating	B4-U0-G0	B4-U0-G0	B5-U0-G0
	Lumens per Watt	52.6	52.8	51.8
22	4000K Lumens	11,547	17,208	33,758
	BUG Rating	B5-U0-G1	B5-U0-G1	B5-U0-G1
	Lumens per Watt	93	94	92
33	4000K Lumens	11,504	17,144	33,631
	BUG Rating	B5-U0-G1	B5-U0-G1	B5-U0-G1
	Lumens per Watt	93	93	91
44	4000K Lumens	11,618	17,313	33,964
	BUG Rating	B4-U0-G1	B5-U0-G1	B5-U0-G1
	Lumens per Watt	94	94	92
55	4000K Lumens	11,180	16,661	32,685
	BUG Rating	B4-U0-G1	B5-U0-G1	B5-U0-G1
	Lumens per Watt	90	91	89
66	4000K Lumens	11,725	17,473	34,278
	BUG Rating	B4-U0-G1	B4-U0-G1	B5-U0-G2
	Lumens per Watt	95	95	93

#### Current "E" (1500 mA)

Number of Light Squares		2	3	6
Nominal Power (Watts)		156	232	464
Optics				
T2	4000K Lumens	18,077	26,939	52,846
	BUG Rating	B3-U0-G3	B3-U0-G4	B4-U0-G5
	Lumens per Watt	116	116	114
T2R	4000K Lumens	18,201	27,125	53,210
	BUG Rating	B2-U0-G2	B3-U0-G3	B3-U0-G5
	Lumens per Watt	117	117	115
T3	4000K Lumens	18,435	27,473	53,893
	BUG Rating	B3-U0-G3	B3-U0-G4	B4-U0-G5
	Lumens per Watt	118	118	116
T3R	4000K Lumens	17,778	26,495	51,974
	BUG Rating	B2-U0-G3	B3-U0-G4	B4-U0-G5
	Lumens per Watt	114	114	112
T4FT	4000K Lumens	18,542	27,263	53,481
	BUG Rating	B3-U0-G3	B3-U0-G4	B4-U0-G5
	Lumens per Watt	119	117	115
T4W	4000K Lumens	18,294	27,263	53,481
	BUG Rating	B3-U0-G4	B3-U0-G4	B4-U0-G5
	Lumens per Watt	117	117	115
SL2	4000K Lumens	18,045	26,892	52,754
	BUG Rating	B3-U0-G3	B3-U0-G4	B4-U0-G5
	Lumens per Watt	116	116	114

Job Name : SECHELT AQUATIC CENTRE  
 Manufacturer : STREETWORKS  
 Model Number : IFLD-S-SA6-A-940-1-44-P-AP-CC

Type :  
**M20**

## Streetworks

## IFLD Infrastructure Flood Series

### Energy and Performance Data (IFLD-S)

Current "E" (1500 mA)

Number of Light Squares		2	3	6
Nominal Power (Watts)		156	232	464
Optics				
SL3	4000K Lumens	17,860	26,616	52,212
	BUG Rating	B2-U0-G3	B3-U0-G4	B3-U0-G5
	Lumens per Watt	114	115	112
SL4	4000K Lumens	17,507	26,091	51,182
	BUG Rating	B2-U0-G4	B3-U0-G5	B3-U0-G5
	Lumens per Watt	112	112	110
5NQ	4000K Lumens	18,051	26,901	52,771
	BUG Rating	B4-U0-G2	B4-U0-G2	B5-U0-G4
	Lumens per Watt	116	116	114
5MQ	4000K Lumens	18,269	27,227	53,410
	BUG Rating	B4-U0-G2	B5-U0-G3	B5-U0-G5
	Lumens per Watt	117	117	115
5WQ	4000K Lumens	18,574	27,680	54,299
	BUG Rating	B4-U0-G2	B5-U0-G3	B5-U0-G5
	Lumens per Watt	119	119	117
RW	4000K Lumens	18,644	27,785	54,505
	BUG Rating	B4-U0-G2	B4-U0-G2	B5-U0-G4
	Lumens per Watt	119	120	117
11	4000K Lumens	7,547	11,247	22,062
	BUG Rating	B4-U0-G0	B4-U0-G0	B5-U0-G0
	Lumens per Watt	48.3	48.5	47.5
22	4000K Lumens	13,363	19,915	39,067
	BUG Rating	B5-U0-G1	B5-U0-G1	B5-U0-G1
	Lumens per Watt	86	86	84
33	4000K Lumens	13,313	19,841	38,921
	BUG Rating	B5-U0-G1	B5-U0-G1	B5-U0-G1
	Lumens per Watt	85	85	84
44	4000K Lumens	13,445	20,037	39,306
	BUG Rating	B5-U0-G1	B5-U0-G1	B5-U0-G1
	Lumens per Watt	86	86	85
55	4000K Lumens	12,939	19,282	37,826
	BUG Rating	B4-U0-G1	B5-U0-G1	B5-U0-G1
	Lumens per Watt	83	83	81
66	4000K Lumens	13,569	20,222	39,669
	BUG Rating	B4-U0-G1	B4-U0-G1	B5-U0-G1
	Lumens per Watt	87	87	85

Job Name : SECHELT AQUATIC CENTRE  
 Manufacturer : STREETWORKS  
 Model Number : IFLD-S-SA6-A-940-1-44-P-AP-CC

Type :  
**M20**

## Streetworks

## IFLD Infrastructure Flood Series

### Energy and Performance Data (IFLD-M)

Current "A" (600 mA)

Number of Light Squares		4
Nominal Power (Watts)		129
Optics		
T2	4000K Lumens	18,444
	BUG Rating	B3-U0-G3
	Lumens per Watt	143
T2R	4000K Lumens	18,571
	BUG Rating	B2-U0-G2
	Lumens per Watt	144
T3	4000K Lumens	18,809
	BUG Rating	B3-U0-G3
	Lumens per Watt	146
T3R	4000K Lumens	18,140
	BUG Rating	B2-U0-G3
	Lumens per Watt	141
T4FT	4000K Lumens	18,919
	BUG Rating	B3-U0-G3
	Lumens per Watt	147
T4W	4000K Lumens	18,666
	BUG Rating	B3-U0-G4
	Lumens per Watt	145
SL2	4000K Lumens	18,412
	BUG Rating	B3-U0-G3
	Lumens per Watt	143
SL3	4000K Lumens	18,223
	BUG Rating	B2-U0-G3
	Lumens per Watt	142
SL4	4000K Lumens	17,863
	BUG Rating	B2-U0-G4
	Lumens per Watt	139
5NQ	4000K Lumens	18,418
	BUG Rating	B4-U0-G2
	Lumens per Watt	143
5MQ	4000K Lumens	18,641
	BUG Rating	B4-U0-G2
	Lumens per Watt	145
5WQ	4000K Lumens	18,951
	BUG Rating	B4-U0-G2
	Lumens per Watt	147
RW	4000K Lumens	19023.1
	BUG Rating	B4-U0-G2
	Lumens per Watt	148

Current "A" (600 mA)

Number of Light Squares		4
Nominal Power (Watts)		64
Optics		
11	4000K Lumens	7,438
	BUG Rating	B4-U0-G0
	Lumens per Watt	59.9
22	4000K Lumens	13,635
	BUG Rating	B5-U0-G1
	Lumens per Watt	106
33	4000K Lumens	13,584
	BUG Rating	B5-U0-G1
	Lumens per Watt	106
44	4000K Lumens	13,718
	BUG Rating	B5-U0-G1
	Lumens per Watt	107
55	4000K Lumens	13,202
	BUG Rating	B4-U0-G1
	Lumens per Watt	103
66	4000K Lumens	13,845
	BUG Rating	B4-U0-G1
	Lumens per Watt	108

Job Name : SECHELT AQUATIC CENTRE  
 Manufacturer : STREETWORKS  
 Model Number : IFLD-S-SA6-A-940-1-44-P-AP-CC

Type :  
**M20**

## Streetworks

## IFLD Infrastructure Flood Series

### Energy and Performance Data (IFLD-M)

Current "B" (800 mA)

Number of Light Squares		4
Nominal Power (Watts)		166
Optics		
T2	4000K Lumens	22,811
	BUG Rating	B3-U0-G3
	Lumens per Watt	137
T2R	4000K Lumens	22,968
	BUG Rating	B3-U0-G3
	Lumens per Watt	138
T3	4000K Lumens	23,262
	BUG Rating	B3-U0-G3
	Lumens per Watt	140
T3R	4000K Lumens	22,434
	BUG Rating	B3-U0-G4
	Lumens per Watt	135
T4FT	4000K Lumens	23,398
	BUG Rating	B3-U0-G4
	Lumens per Watt	141
T4W	4000K Lumens	23,085
	BUG Rating	B3-U0-G4
	Lumens per Watt	139
SL2	4000K Lumens	22,771
	BUG Rating	B3-U0-G4
	Lumens per Watt	137
SL3	4000K Lumens	22,537
	BUG Rating	B3-U0-G4
	Lumens per Watt	136
SL4	4000K Lumens	22,092
	BUG Rating	B2-U0-G4
	Lumens per Watt	133
5NQ	4000K Lumens	22,778
	BUG Rating	B4-U0-G2
	Lumens per Watt	137
5MQ	4000K Lumens	23,054
	BUG Rating	B5-U0-G3
	Lumens per Watt	139
5WQ	4000K Lumens	23,438
	BUG Rating	B5-U0-G3
	Lumens per Watt	141
RW	4000K Lumens	23,527
	BUG Rating	B4-U0-G2
	Lumens per Watt	142

Current "B" (800 mA)

Number of Light Squares		4
Nominal Power (Watts)		166
Optics		
11	4000K Lumens	9,199
	BUG Rating	B4-U0-G0
	Lumens per Watt	57.4
22	4000K Lumens	16,863
	BUG Rating	B5-U0-G1
	Lumens per Watt	102
33	4000K Lumens	16,800
	BUG Rating	B5-U0-G1
	Lumens per Watt	101
44	4000K Lumens	16,800
	BUG Rating	B5-U0-G1
	Lumens per Watt	101
55	4000K Lumens	16,327
	BUG Rating	B5-U0-G1
	Lumens per Watt	98
66	4000K Lumens	17,123
	BUG Rating	B4-U0-G1
	Lumens per Watt	103

Job Name : SECHELT AQUATIC CENTRE  
 Manufacturer : STREETWORKS  
 Model Number : IFLD-S-SA6-A-940-1-44-P-AP-CC

Type :  
**M20**

## Streetworks

## IFLD Infrastructure Flood Series

### Energy and Performance Data (IFLD-M)

Current "C" (1050 mA)

Number of Light Squares		4
Nominal Power (Watts)		218
Optics		
T2	4000K Lumens	28,396
	BUG Rating	B3-U0-G4
	Lumens per Watt	130
T2R	4000K Lumens	28,591
	BUG Rating	B3-U0-G4
	Lumens per Watt	131
T3	4000K Lumens	28,958
	BUG Rating	B3-U0-G4
	Lumens per Watt	133
T3R	4000K Lumens	27,927
	BUG Rating	B3-U0-G4
	Lumens per Watt	128
T4FT	4000K Lumens	29,127
	BUG Rating	B3-U0-G4
	Lumens per Watt	134
T4W	4000K Lumens	28,737
	BUG Rating	B3-U0-G4
	Lumens per Watt	132
SL2	4000K Lumens	28,346
	BUG Rating	B3-U0-G4
	Lumens per Watt	130
SL3	4000K Lumens	28,055
	BUG Rating	B3-U0-G4
	Lumens per Watt	129
SL4	4000K Lumens	27,502
	BUG Rating	B3-U0-G5
	Lumens per Watt	126
5NQ	4000K Lumens	28,355
	BUG Rating	B4-U0-G2
	Lumens per Watt	130
5MQ	4000K Lumens	28,699
	BUG Rating	B5-U0-G3
	Lumens per Watt	132
5WQ	4000K Lumens	29,177
	BUG Rating	B5-U0-G3
	Lumens per Watt	134
RW	4000K Lumens	29,287
	BUG Rating	B4-U0-G3
	Lumens per Watt	134

Current "C" (1050 mA)

Number of Light Squares		4
Nominal Power (Watts)		218
Optics		
11	4000K Lumens	11,452
	BUG Rating	B5-U0-G0
	Lumens per Watt	54.4
22	4000K Lumens	20,992
	BUG Rating	B5-U0-G0
	Lumens per Watt	96
33	4000K Lumens	20,913
	BUG Rating	B5-U0-G0
	Lumens per Watt	96
44	4000K Lumens	21,120
	BUG Rating	B5-U0-G0
	Lumens per Watt	97
55	4000K Lumens	20,325
	BUG Rating	B5-U0-G0
	Lumens per Watt	93
66	4000K Lumens	21,315
	BUG Rating	B4-U0-G1
	Lumens per Watt	98

Job Name : SECHELT AQUATIC CENTRE  
 Manufacturer : STREETWORKS  
 Model Number : IFLD-S-SA6-A-940-1-44-P-AP-CC

Type :  
**M20**

## Streetworks

## IFLD Infrastructure Flood Series

### Energy and Performance Data (IFLD-M)

Current "D" (1200 mA)

Number of Light Squares		4
Nominal Power (Watts)		250
Optics		
T2	4000K Lumens	31,245
	BUG Rating	B3-U0-G4
	Lumens per Watt	125
T2R	4000K Lumens	31,459
	BUG Rating	B3-U0-G4
	Lumens per Watt	126
T3	4000K Lumens	31,863
	BUG Rating	B3-U0-G4
	Lumens per Watt	128
T3R	4000K Lumens	30,729
	BUG Rating	B3-U0-G4
	Lumens per Watt	123
T4FT	4000K Lumens	32,049
	BUG Rating	B3-U0-G5
	Lumens per Watt	128
T4W	4000K Lumens	31,620
	BUG Rating	B3-U0-G5
	Lumens per Watt	127
SL2	4000K Lumens	31,190
	BUG Rating	B3-U0-G5
	Lumens per Watt	125
SL3	4000K Lumens	30,870
	BUG Rating	B3-U0-G4
	Lumens per Watt	124
SL4	4000K Lumens	30,261
	BUG Rating	B3-U0-G5
	Lumens per Watt	121
5NQ	4000K Lumens	31,200
	BUG Rating	B5-U0-G2
	Lumens per Watt	125
5MQ	4000K Lumens	31,578
	BUG Rating	B5-U0-G3
	Lumens per Watt	126
5WQ	4000K Lumens	32,104
	BUG Rating	B5-U0-G4
	Lumens per Watt	129
RW	4000K Lumens	32,225
	BUG Rating	B5-U0-G3
	Lumens per Watt	129

Current "D" (1200 mA)

Number of Light Squares		4
Nominal Power (Watts)		250
Optics		
11	4000K Lumens	12,601
	BUG Rating	B5-U0-G0
	Lumens per Watt	52.3
22	4000K Lumens	23,098
	BUG Rating	B5-U0-G1
	Lumens per Watt	93
33	4000K Lumens	23,011
	BUG Rating	B5-U0-G1
	Lumens per Watt	92
44	4000K Lumens	23,239
	BUG Rating	B5-U0-G1
	Lumens per Watt	93
55	4000K Lumens	22,364
	BUG Rating	B5-U0-G1
	Lumens per Watt	90
66	4000K Lumens	23,454
	BUG Rating	B5-U0-G1
	Lumens per Watt	94

Job Name : SECHELT AQUATIC CENTRE  
 Manufacturer : STREETWORKS  
 Model Number : IFLD-S-SA6-A-940-1-44-P-AP-CC

Type :  
**M20**

## Streetworks

## IFLD Infrastructure Flood Series

### Energy and Performance Data (IFLD-M)

Current "E" (1500 mA)

Number of Light Squares		4
Nominal Power (Watts)		315
Optics		
T2	4000K Lumens	36,159
	BUG Rating	B3-U0-G4
	Lumens per Watt	115
T2R	4000K Lumens	36,408
	BUG Rating	B3-U0-G4
	Lumens per Watt	116
T3	4000K Lumens	36,875
	BUG Rating	B3-U0-G4
	Lumens per Watt	117
T3R	4000K Lumens	35,562
	BUG Rating	B3-U0-G5
	Lumens per Watt	113
T4FT	4000K Lumens	37,090
	BUG Rating	B3-U0-G5
	Lumens per Watt	118
T4W	4000K Lumens	36,593
	BUG Rating	B3-U0-G5
	Lumens per Watt	116
SL2	4000K Lumens	36,096
	BUG Rating	B4-U0-G5
	Lumens per Watt	115
SL3	4000K Lumens	35,725
	BUG Rating	B3-U0-G5
	Lumens per Watt	113
SL4	4000K Lumens	35,020
	BUG Rating	B3-U0-G5
	Lumens per Watt	111
5NQ	4000K Lumens	36,107
	BUG Rating	B5-U0-G3
	Lumens per Watt	115
5MQ	4000K Lumens	36,545
	BUG Rating	B5-U0-G4
	Lumens per Watt	116
5WQ	4000K Lumens	37,153
	BUG Rating	B5-U0-G4
	Lumens per Watt	118
RW	4000K Lumens	37,294
	BUG Rating	B5-U0-G3
	Lumens per Watt	118

Current "E" (1500 mA)

Number of Light Squares		4
Nominal Power (Watts)		315
Optics		
11	4000K Lumens	14,583
	BUG Rating	B5-U0-G0
	Lumens per Watt	48
22	4000K Lumens	26,731
	BUG Rating	B5-U0-G1
	Lumens per Watt	85
33	4000K Lumens	26,631
	BUG Rating	B5-U0-G1
	Lumens per Watt	85
44	4000K Lumens	26,894
	BUG Rating	B5-U0-G1
	Lumens per Watt	85
55	4000K Lumens	25,881
	BUG Rating	B5-U0-G1
	Lumens per Watt	82
66	4000K Lumens	27,143
	BUG Rating	B5-U0-G1
	Lumens per Watt	86

Job Name : SECHELT AQUATIC CENTRE  
 Manufacturer : STREETWORKS  
 Model Number : IFLD-S-SA6-A-940-1-44-P-AP-CC

Type :  
**M20**

## Streetworks

## IFLD Infrastructure Flood Series

### Energy and Performance Data (IFLD-L)

Current "A" (600 mA)

Number of Light Squares		7	8
Nominal Power (Watts)		218	248
Optics			
T2	4000K Lumens	31,261	34,213
	BUG Rating	B3-U0-G4	B3-U0-G4
	Lumens per Watt	144	138
T2R	4000K Lumens	31,476	34,448
	BUG Rating	B3-U0-G4	B3-U0-G4
	Lumens per Watt	145	139
T3	4000K Lumens	31,880	34,891
	BUG Rating	B3-U0-G4	B3-U0-G4
	Lumens per Watt	147	141
T3R	4000K Lumens	30,745	33,648
	BUG Rating	B3-U0-G4	B3-U0-G5
	Lumens per Watt	141	136
T4FT	4000K Lumens	32,066	35,094
	BUG Rating	B3-U0-G5	B3-U0-G5
	Lumens per Watt	147	142
T4W	4000K Lumens	31,636	34,624
	BUG Rating	B3-U0-G5	B3-U0-G5
	Lumens per Watt	145	140
SL2	4000K Lumens	31,207	34,154
	BUG Rating	B3-U0-G5	B3-U0-G5
	Lumens per Watt	143	138
SL3	4000K Lumens	30,886	33,803
	BUG Rating	B3-U0-G4	B3-U0-G4
	Lumens per Watt	142	136
SL4	4000K Lumens	30,277	33,136
	BUG Rating	B3-U0-G5	B3-U0-G5
	Lumens per Watt	139	134
5NQ	4000K Lumens	31,216	34,164
	BUG Rating	B5-U0-G2	B5-U0-G3
	Lumens per Watt	143	138
5MQ	4000K Lumens	31,595	34,578
	BUG Rating	B5-U0-G3	B5-U0-G4
	Lumens per Watt	145	140
5WQ	4000K Lumens	32,121	35,154
	BUG Rating	B5-U0-G4	B5-U0-G4
	Lumens per Watt	148	142
RW	4000K Lumens	32,242	35,287
	BUG Rating	B5-U0-G3	B5-U0-G3
	Lumens per Watt	148	142

Current "A" (600 mA)

Number of Light Squares		7	8
Nominal Power (Watts)		218	248
Optics			
11	4000K Lumens	13,051	14,050
	BUG Rating	B5-U0-G0	B5-U0-G0
	Lumens per Watt	60	56.7
22	4000K Lumens	23,110	24,879
	BUG Rating	B5-U0-G1	B5-U0-G1
	Lumens per Watt	106	100
33	4000K Lumens	23,023	24,786
	BUG Rating	B5-U0-G1	B5-U0-G1
	Lumens per Watt	106	100
44	4000K Lumens	23,251	25,031
	BUG Rating	B5-U0-G1	B5-U0-G1
	Lumens per Watt	107	101
55	4000K Lumens	22,376	24,089
	BUG Rating	B5-U0-G1	B5-U0-G1
	Lumens per Watt	103	97
66	4000K Lumens	23,466	25,263
	BUG Rating	B5-U0-G1	B5-U0-G1
	Lumens per Watt	108	102

Job Name : SECHELT AQUATIC CENTRE  
 Manufacturer : STREETWORKS  
 Model Number : IFLD-S-SA6-A-940-1-44-P-AP-CC

Type :  
**M20**

## Streetworks

## IFLD Infrastructure Flood Series

### Energy and Performance Data (IFLD-L)

Current "B" (800 mA)

Number of Light Squares		7	8
Nominal Power (Watts)		281	320
Optics			
T2	4000K Lumens	35,567	40,648
	BUG Rating	B3-U0-G4	B4-U0-G5
	Lumens per Watt	127	127
T2R	4000K Lumens	35811.7	40927
	BUG Rating	B3-U0-G4	B3-U0-G4
	Lumens per Watt	127	128
T3	4000K Lumens	36,271	41,452
	BUG Rating	B3-U0-G4	B4-U0-G5
	Lumens per Watt	129	130
T3R	4000K Lumens	34,980	39,976
	BUG Rating	B3-U0-G5	B3-U0-G5
	Lumens per Watt	124	125
T4FT	4000K Lumens	36,483	41,694
	BUG Rating	B3-U0-G5	B3-U0-G5
	Lumens per Watt	130	130
T4W	4000K Lumens	35,994	41,135
	BUG Rating	B3-U0-G5	B4-U0-G5
	Lumens per Watt	128	129
SL2	4000K Lumens	35,505	40,577
	BUG Rating	B3-U0-G5	B4-U0-G5
	Lumens per Watt	126	127
SL3	4000K Lumens	35,140	40,160
	BUG Rating	B3-U0-G4	B3-U0-G5
	Lumens per Watt	125	125
SL4	4000K Lumens	34,447	39,368
	BUG Rating	B3-U0-G5	B3-U0-G5
	Lumens per Watt	123	123
5NQ	4000K Lumens	35,516	40,589
	BUG Rating	B5-U0-G3	B5-U0-G3
	Lumens per Watt	126	127
5MQ	4000K Lumens	35,947	41,081
	BUG Rating	B5-U0-G4	B5-U0-G4
	Lumens per Watt	128	128
5WQ	4000K Lumens	36,545	41,765
	BUG Rating	B5-U0-G4	B5-U0-G4
	Lumens per Watt	130	131
RW	4000K Lumens	36,684	41,923
	BUG Rating	B5-U0-G3	B5-U0-G3
	Lumens per Watt	131	131

Current "B" (800 mA)

Number of Light Squares		7	8
Nominal Power (Watts)		281	320
Optics			
11	4000K Lumens	14,849	16,693
	BUG Rating	B5-U0-G0	B5-U0-G0
	Lumens per Watt	52.8	52.2
22	4000K Lumens	26,293	29,558
	BUG Rating	B5-U0-G1	B5-U0-G1
	Lumens per Watt	94	92
33	4000K Lumens	26,195	29,448
	BUG Rating	B5-U0-G1	B5-U0-G1
	Lumens per Watt	93	92
44	4000K Lumens	26,454	29,739
	BUG Rating	B5-U0-G1	B5-U0-G1
	Lumens per Watt	94	93
55	4000K Lumens	25,458	28,620
	BUG Rating	B5-U0-G1	B5-U0-G1
	Lumens per Watt	91	89
66	4000K Lumens	26,698	30,014
	BUG Rating	B5-U0-G1	B5-U0-G1
	Lumens per Watt	95	94