

Job Name : SECHELT AQUATIC CENTRE
 Manufacturer : STREETWORKS
 Model Number : IFLD-S-SA6-A-940-1-44-P-AP-CC

Type :
M20

Streetworks

IFLD Infrastructure Flood Series

Energy and Performance Data (IFLD-L)

Current "C" (1050 mA)

Number of Light Squares		7	8
Nominal Power (Watts)		369	420
Optics			
T2	4000K Lumens	44,275	50,600
	BUG Rating	B4-U0-G5	B4-U0-G5
	Lumens per Watt	120	120
T2R	4000K Lumens	44,579	50,948
	BUG Rating	B3-U0-G4	B3-U0-G5
	Lumens per Watt	121	121
T3	4000K Lumens	45,152	51,602
	BUG Rating	B4-U0-G5	B4-U0-G5
	Lumens per Watt	122	123
T3R	4000K Lumens	43,544	49,765
	BUG Rating	B3-U0-G5	B4-U0-G5
	Lumens per Watt	118	118
T4FT	4000K Lumens	45,415	51,903
	BUG Rating	B4-U0-G5	B4-U0-G5
	Lumens per Watt	123	123
T4W	4000K Lumens	44,806	51,208
	BUG Rating	B4-U0-G5	B4-U0-G5
	Lumens per Watt	121	122
SL2	4000K Lumens	44,198	50,512
	BUG Rating	B4-U0-G5	B4-U0-G5
	Lumens per Watt	120	120
SL3	4000K Lumens	43,744	49,993
	BUG Rating	B3-U0-G5	B3-U0-G5
	Lumens per Watt	119	119
SL4	4000K Lumens	42,881	49,007
	BUG Rating	B3-U0-G5	B3-U0-G5
	Lumens per Watt	116	117
5NQ	4000K Lumens	44,212	50,528
	BUG Rating	B5-U0-G3	B5-U0-G3
	Lumens per Watt	120	120
5MQ	4000K Lumens	44,747	51,140
	BUG Rating	B5-U0-G4	B5-U0-G4
	Lumens per Watt	121	122
5WQ	4000K Lumens	45,492	51,991
	BUG Rating	B5-U0-G4	B5-U0-G5
	Lumens per Watt	123	124
RW	4000K Lumens	45,665	52,189
	BUG Rating	B5-U0-G4	B5-U0-G4
	Lumens per Watt	124	124

Current "C" (1050 mA)

Number of Light Squares		7	8
Nominal Power (Watts)		369	420
Optics			
11	4000K Lumens	18,484	20,780
	BUG Rating	B5-U0-G0	B5-U0-G0
	Lumens per Watt	50.1	49.4
22	4000K Lumens	32,731	36,796
	BUG Rating	B5-U0-G1	B5-U0-G1
	Lumens per Watt	89	88
33	4000K Lumens	32,608	36,658
	BUG Rating	B5-U0-G1	B5-U0-G1
	Lumens per Watt	88	87
44	4000K Lumens	32,930	37,021
	BUG Rating	B5-U0-G1	B5-U0-G1
	Lumens per Watt	89	88
55	4000K Lumens	31,691	35,627
	BUG Rating	B5-U0-G1	B5-U0-G1
	Lumens per Watt	86	85
66	4000K Lumens	33,235	37,363
	BUG Rating	B5-U0-G1	B5-U0-G1
	Lumens per Watt	90	89

Job Name : SECHELT AQUATIC CENTRE
 Manufacturer : STREETWORKS
 Model Number : IFLD-S-SA6-A-940-1-44-P-AP-CC

Type :
M20

Streetworks

IFLD Infrastructure Flood Series

Energy and Performance Data (IFLD-L)

Current "D" (1200 mA)

Number of Light Squares		7	8
Nominal Power (Watts)		423	488
Optics			
T2	4000K Lumens	48,718	55,678
	BUG Rating	B4-U0-G5	B4-U0-G5
	Lumens per Watt	115	114
T2R	4000K Lumens	49,053	56,060
	BUG Rating	B3-U0-G5	B4-U0-G5
	Lumens per Watt	116	115
T3	4000K Lumens	49,682	56,780
	BUG Rating	B4-U0-G5	B4-U0-G5
	Lumens per Watt	118	116
T3R	4000K Lumens	47,913	54,758
	BUG Rating	B3-U0-G5	B4-U0-G5
	Lumens per Watt	113	112
T4FT	4000K Lumens	49,972	57,111
	BUG Rating	B4-U0-G5	B4-U0-G5
	Lumens per Watt	118	117
T4W	4000K Lumens	49,302	56,346
	BUG Rating	B4-U0-G5	B4-U0-G5
	Lumens per Watt	117	115
SL2	4000K Lumens	48,633	55,580
	BUG Rating	B4-U0-G5	B4-U0-G5
	Lumens per Watt	115	114
SL3	4000K Lumens	48,133	55,009
	BUG Rating	B3-U0-G5	B3-U0-G5
	Lumens per Watt	114	113
SL4	4000K Lumens	47,184	53,924
	BUG Rating	B3-U0-G5	B3-U0-G5
	Lumens per Watt	112	111
5NQ	4000K Lumens	48,648	55,598
	BUG Rating	B5-U0-G3	B5-U0-G4
	Lumens per Watt	115	114
5MQ	4000K Lumens	49,237	56,272
	BUG Rating	B5-U0-G4	B5-U0-G5
	Lumens per Watt	117	115
5WQ	4000K Lumens	50,057	57,208
	BUG Rating	B5-U0-G5	B5-U0-G5
	Lumens per Watt	118	117
RW	4000K Lumens	50,247	57,425
	BUG Rating	B5-U0-G4	B5-U0-G4
	Lumens per Watt	119	118

Current "D" (1200 mA)

Number of Light Squares		7	8
Nominal Power (Watts)		423	488
Optics			
11	4000K Lumens	20,339	22,865
	BUG Rating	B5-U0-G0	B5-U0-G0
	Lumens per Watt	48.1	46.8
22	4000K Lumens	36,015	40,488
	BUG Rating	B5-U0-G1	B5-U0-G1
	Lumens per Watt	85	83
33	4000K Lumens	35,880	40,337
	BUG Rating	B5-U0-G1	B5-U0-G1
	Lumens per Watt	85	83
44	4000K Lumens	36,235	40,735
	BUG Rating	B5-U0-G1	B5-U0-G1
	Lumens per Watt	86	83
55	4000K Lumens	34,871	39,202
	BUG Rating	B5-U0-G1	B5-U0-G1
	Lumens per Watt	83	80
66	4000K Lumens	36,570	41,112
	BUG Rating	B5-U0-G1	B5-U0-G1
	Lumens per Watt	87	84

Job Name : SECHELT AQUATIC CENTRE
 Manufacturer : STREETWORKS
 Model Number : IFLD-S-SA6-A-940-1-44-P-AP-CC

Type :
M20

Streetworks

IFLD Infrastructure Flood Series

Energy and Performance Data (IFLD-L)

Current "E" (1500 mA)

Number of Light Squares		7
Nominal Power (Watts)		533
Optics		
T2	4000K Lumens	56,380
	BUG Rating	B4-U0-G5
	Lumens per Watt	106
T2R	4000K Lumens	56,768
	BUG Rating	B4-U0-G5
	Lumens per Watt	107
T3	4000K Lumens	57,497
	BUG Rating	B4-U0-G5
	Lumens per Watt	108
T3R	4000K Lumens	55,449
	BUG Rating	B4-U0-G5
	Lumens per Watt	104
T4FT	4000K Lumens	57,832
	BUG Rating	B4-U0-G5
	Lumens per Watt	109
T4W	4000K Lumens	57,057
	BUG Rating	B4-U0-G5
	Lumens per Watt	107
SL2	4000K Lumens	56,282
	BUG Rating	B4-U0-G5
	Lumens per Watt	106
SL3	4000K Lumens	55,704
	BUG Rating	B4-U0-G5
	Lumens per Watt	105
SL4	4000K Lumens	54,605
	BUG Rating	B3-U0-G5
	Lumens per Watt	103
5NQ	4000K Lumens	56,300
	BUG Rating	B5-U0-G4
	Lumens per Watt	106
5MQ	4000K Lumens	56,982
	BUG Rating	B5-U0-G5
	Lumens per Watt	107
5WQ	4000K Lumens	57,930
	BUG Rating	B5-U0-G5
	Lumens per Watt	109
RW	4000K Lumens	58,150
	BUG Rating	B5-U0-G4
	Lumens per Watt	109

Current "E" (1500 mA)

Number of Light Squares		7
Nominal Power (Watts)		533
Optics		
11	4000K Lumens	23,538
	BUG Rating	B5-U0-G0
	Lumens per Watt	44.2
22	4000K Lumens	41,680
	BUG Rating	B5-U0-G1
	Lumens per Watt	78
33	4000K Lumens	41,523
	BUG Rating	B5-U0-G1
	Lumens per Watt	78
44	4000K Lumens	41,934
	BUG Rating	B5-U0-G1
	Lumens per Watt	79
55	4000K Lumens	40,355
	BUG Rating	B5-U0-G1
	Lumens per Watt	76
66	4000K Lumens	42,322
	BUG Rating	B5-U0-G1
	Lumens per Watt	79

Job Name : SECHELT AQUATIC CENTRE
 Manufacturer : STREETWORKS
 Model Number : IFLD-S-SA6-A-940-1-55-P-AP-CC

Type :
W20

Project		Catalog #		Type	
Prepared by		Notes		Date	



Streetworks

IFLD Infrastructure Flood Series

Floodlight & Sign Light Luminaire

Product Features



Interactive Menu

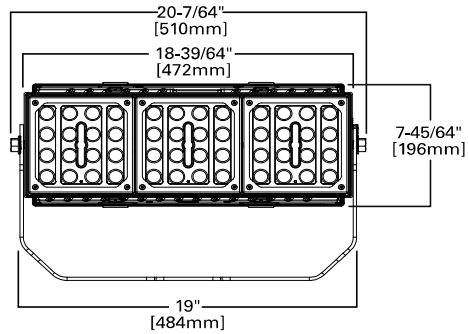
- Ordering Information page 2
- Product Specifications page 2
- Mounting Details page 3
- Optical Distributions page 5
- Energy and Performance Data page 6

Product Certifications

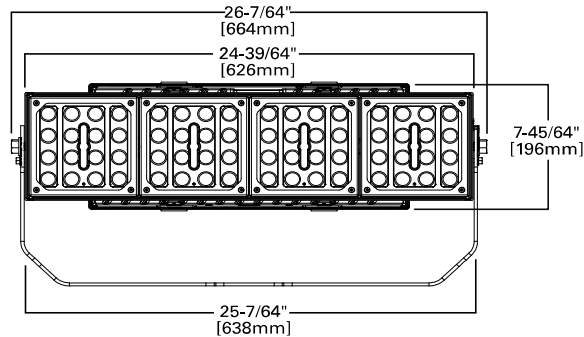


Dimensional Details

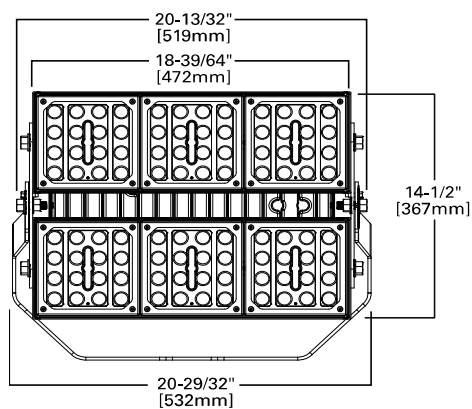
IFLD-S Small 3 Square - Yoke Mount



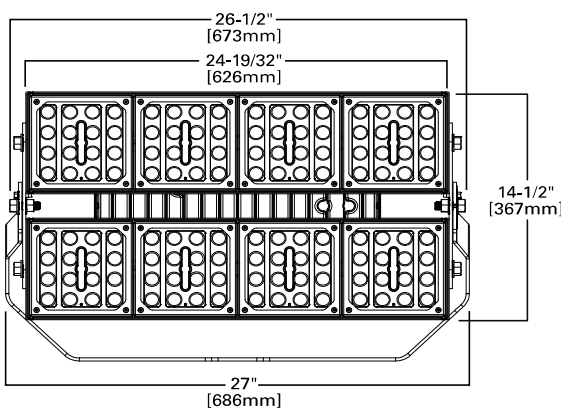
IFLD-M Medium 4 Square - Yoke Mount



IFLD-S Small 6 Square - Yoke Mount



IFLD-L Large 8 Square - Yoke Mount



Job Name : SECHELT AQUATIC CENTRE
Manufacturer : STREETWORKS
Model Number : IFLD-S-SA6-A-940-1-55-P-AP-CC

Type :
W20

Streetworks

IFLD Infrastructure Flood Series

Ordering Information

SAMPLE ORDER NUMBER: IFLD-S-SA3-A-940-U-66-Y-AP-10K-PR7

Product Family	Light Engine	Drive Current	Color Temperature	Voltage	Distribution	Mounting	Color
IFLD-S	SA2=2 Squares SA3=3 Squares SA6=6 Squares	A=600mA B=800mA C=1000mA D=1200mA E=1500mA	722=70CRI, 2200K 727=70CRI, 2700K 730=70CRI, 3000K 735=70CRI, 3500K 740=70CRI, 4000K 750=70CRI, 5000K 760=70CRI, 5700K 827=80CRI, 2700K 830=80CRI, 3000K 930=90CRI, 3000K 935=90CRI, 3500K 940=90CRI, 4000K 950=90CRI, 5000K AMB=Amber, 590nm ^{2,3,16}	U=120-277V H=347-480V I=120V 2=208V 3=240V 4=277V 8=480V ²¹ 9=347V	11=NEMA 1H x 1V ^{4,5} 22=NEMA 2H x 2V ^{4,5} 33=NEMA 3H x 3V ^{4,5} 44=NEMA 4H x 4V ^{4,5} 55=NEMA 5H x 5V ^{4,5} 66=NEMA 6H x 6V ^{4,5} T2=Type II T2R=Type II Roadway T3=Type III T3R=Type III Roadway T4FT=Type IV Forward Throw T4W=Type IV Wide 5NQ=Type V Narrow ⁵ 5MQ=Type V Square Medium ⁵ 5WQ=Type V Square Wide ⁵ SL2=Type II w/Spill Control SL3=Type III w/Spill Control SL4=Type IV w/Spill Control SLL=90° Spill Light Eliminator Left SLR=90° Spill Light Eliminator Right RW=Rectangular Wide Type I ⁵	ADJA=Adjustable Arm Direct Pole Mount C=Slipfitter, 3" O.D. (Cord through housing) S=Slipfitter, 3" O.D. (Leads through slipfitter) Y=Yoke P=Pendant	AP=Grey BZ=Bronze BK=Black DP=Dark Platinum WH=White
IFLD-M	SA4=4 Squares						
IFLD-L	SA7=7 Squares SA8=8 Squares ¹						
Options (Add as Suffix)		Controls			Accessories (Order Separately)		
F=Single Fuse (120, 277 or 347V Specify Voltage) FF=Double Fuse (208, 240 or 480V Specify Voltage) 10K=10kV/10kA UL 1449 Surge Protective Device 20K=Series 20kV UL 1449 Surge Protective Device 20KI=Series 20kV UL 1449 Surge Protective Device with light indicator 10MSP=Parallel 10kV MOV Surge Protective Device 20MSP=Parallel 20kV MOV Surge Protective Device DIM=Dimming Wiring Leads ^{6,7} CC=Coastal Construction finish ²³ Natatorium finish Confirmed by StreetWorks TH=Tool-less Door Hardware HSS=Installed House Side Shield ⁸ HA=50°C High Ambient ¹ CXXXX=Cord Type ²⁴ GNDM=Ground Mounted Application ^{10,11} 3G=3G Vibration rated ¹² LCF=Light Square Trim Painted to Match Housing ²⁰ 5LTD=DALI drivers option Dxxxxx=DOT Configuration - Contact Quotes Team Uxxxxx=Utility Configuration - Contact Quotes Team		SPB1=Dimming Occupancy Sensor with Bluetooth Interface, <8' Mounting ¹³ SPB2=Dimming Occupancy Sensor with Bluetooth Interface, 8' - 20' Mounting ¹³ SPB4=Dimming Occupancy Sensor with Bluetooth Interface, 21' - 40' Mounting ¹³ AHD145=After Hours Dim, 5 Hours ¹⁴ AHD245=After Hours Dim, 6 Hours ¹⁴ AHD255=After Hours Dim, 7 Hours ¹⁴ AHD355=After Hours Dim, 8 Hours ¹⁴ PR=NEMA 3-PIN Twistlock Photocontrol Receptacle PR7=NEMA 7-PIN Twistlock Photocontrol Receptacle ²⁵ PSC=Photocontrol Shorting Cap NPC=NEMA Photocontrol - Multi-Tap LLPC=Longlife Photocontrol Included LLPC-FO=Long-life Photocontrol (Fail-Off) FADC=Field Adjustable Dimming Controller ¹⁵			OA / RA1013=Photocontrol Shorting Cap OA1223=10kV Surge Module Replacement SRA238=2-3/8" Tenon Sleeve Adapter TYS-XX=Slipfitter Adapter for 2-3/8", 3" or 3-1/2" O.D. Tenon ^{18,19,22} WRGX=Wire guard for "X" LightSquare(s) ¹⁷ VSHX=Vandal shield for "X" LightSquare(s) ^{8,17} LSHX=Louvershield for "X" LightSquare(s) ^{17,20}		

NOTES:

- Not available with 1.5A drive current.
- Not available with "HA" option.
- Available only with 5WQ, 5MQ, SL2, SL3, and SL4 distributions.
- 90 CRI CCTs compatibility only.
- HSS not available.
- Can not be used with any of the "SPB" sensors.
- Only available with 16 AWG leads. 18" leads brought outside of fixture.
- Not available with "HA" or 1.5A drive current options.
- Reserved.
- Not available with Tool-less door hardware (TH).
- Not available with yoke or pendant mounting.
- Not available with pendant mounting.
- Not available with (GNDM) ground mount option. Smart device with Sensor Configuration mobile application required to change system defaults.
- Can not be used with DALI drivers or FADC. Requires the use of NPC photocontrol or the PR7 or PR photocontrol receptacle with photocontrol accessory.
- Not available with DALI drivers, or motion sensors (SPB).
- Only available at 500mA drive current. Use "A" drive current. Narrow-band 590nm +/- 5nm for wildlife and observatory use.
- Replace "X" with the number of lightsquares on luminaire.
- Not available for IFLD-L..
- Not available with 3G vibration rating.
- Not available on NEMA flood optics.
- Only for use with 480V Wye systems. Per NEC, not for use with ungrounded systems, impedance grounded systems or corner grounded systems (commonly known as Three Phase Three Wire Delta, Three Phase High Leg Delta and Three Phase Corner Grounded Delta systems).
- Not available with slipfitter mount.
- Coastal construction finish salt spray tested to over 5,000-hours per ASTM B117, with a scribe rating of 9 per ASTM D1654.
- 3-conductor cord available in 14 and 16 gauge with lengths of 5, 8, 10, 15, 20, and 25 feet. Specify cord gauge with the first 2 digits and cord length with the last 2 digits (ex: C1605 = 16-gauge, 5 feet length cord). Standard cord is 16-gauge with length of 3.5ft if not specified.
- Not available with motion sensors.

Product Specifications

Construction

- Heavy-duty Die cast aluminum housing, door, and heat sink
- A separate driver compartment and external fins provide optimal thermal management that result in longer LED and driver life
- 3 housing sizes (Small, Medium, and Large) ranging from 2 to 8 squares
- The housing, optical chamber and driver compartment are IP66 rated
- Access to the driver for maintenance is achieved with a removable driver door
- The fixture is optional 3G vibration rated (ANSI C136.31) to ensure durability in area and site lighting applications

Optics

- High-efficiency injection-molded AccuLED Optics technology
- 20 optical distributions for flood, area site, and roadway applications
- Optics are precisely designed to shape the NEMA type flood distributions, maximizing efficiency and application spacing

- Louver shields, vandal shields, visors, and wire guard accessories available
- Various CCTs available, 2200K, 2700K, 3000K, 3500K, 4000K, 5000K, 5700K, and 590nm amber
- CCTs offered in 70 or 80 CRI for roadway optics and 90CRI for NEMA flood optics
- IDA Certified for 3000K CCT and warmer only

Electrical

- 120-277V 50/60Hz, 347V 60Hz or 480V 60Hz operation
- 10kV and 20kV surge or parallel surge protection options available
- 0-10V dimming driver is standard to accommodate controls capability such as dimming and occupancy
- Available with 3-PIN or 7-PIN NEMA photocontrol receptacles
- Suitable for ambient temperatures from -40°C to 40°C; Optional 50°C HA (high ambient) available
- Luminaire available with the field adjustable dimming controller (FADC) to manually adjust wattage and reduce the total lumen output and light levels; Comes pre-set to the highest position

at the lumen output selected

Mounting

- Mounting options include an integral die-cast aluminum slipfitter, galvanized steel yoke, and pendant mount (pendant supplied by others)
- The slipfitter fits standard 3" O.D. tenon.
- SRA238 adapter available for 2-3/8" OD applications
- The yoke mounting includes a polyester powder coated galvanized steel yoke with a 16/3 STW-A cord
- The yoke mount uses an interlocking slide adjustment that is locked in place with a set screw

Finish

- Housing and cast parts finished in five-stage super TGIC polyester powder coat paint, 2.5 mil nominal thickness for superior protection against fade and wear
- Coastal construction finish option available



PS506083EN page 2
 January 14, 2025 10:26 AM

Prepared By: Mac's ii Design Team

Job Name : SECHELT AQUATIC CENTRE
 Manufacturer : STREETWORKS
 Model Number : IFLD-S-SA6-A-940-1-55-P-AP-CC

Type :
W20

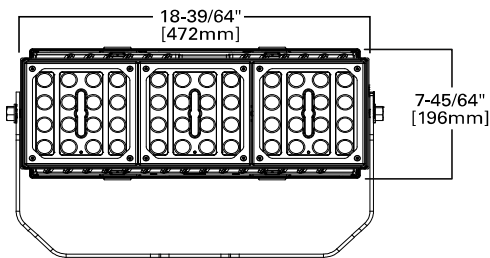
Streetworks

IFLD Infrastructure Flood Series

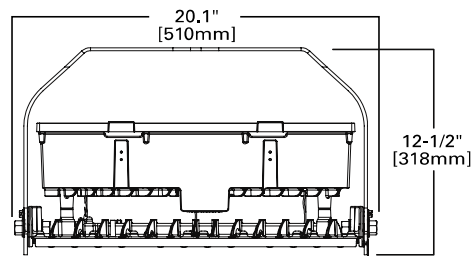
Mounting Details - 3 Square

 Supplemental Line Art

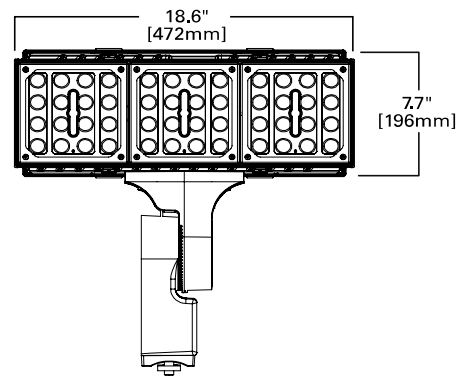
Yoke Mount



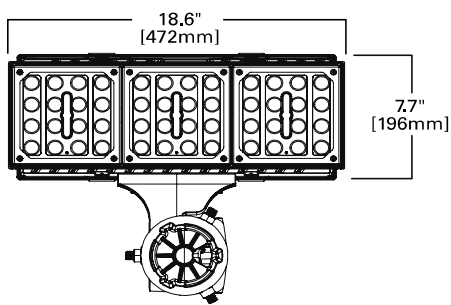
Pendant Mount



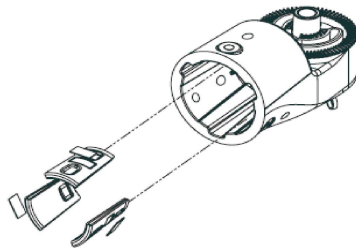
Direct Pole Mount



Slipfitter

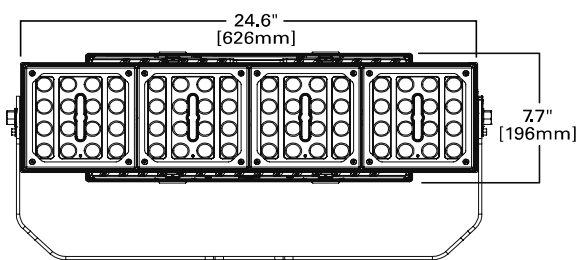


Slipfitter Spacer (SRA238)

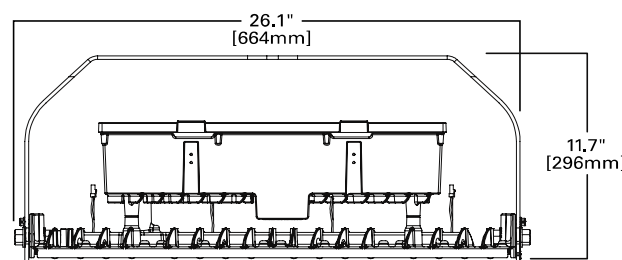


Mounting Details - 4 Square

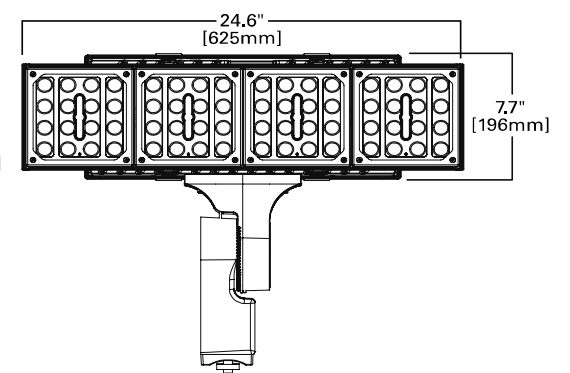
Yoke Mount



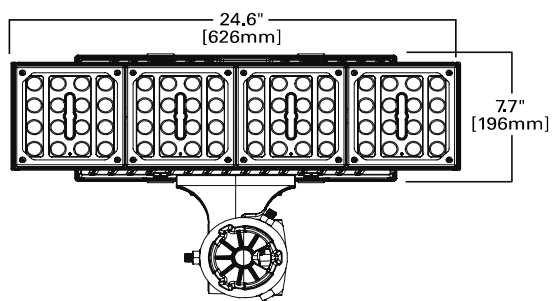
Pendant Mount



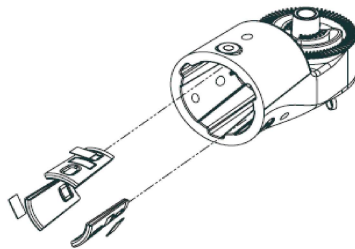
Direct Pole Mount



Slipfitter



Slipfitter Spacer (SRA238)



Job Name : SECHLT AQUATIC CENTRE
 Manufacturer : STREETWORKS
 Model Number : IFLD-S-SA6-A-940-1-55-P-AP-CC

Type :
W20

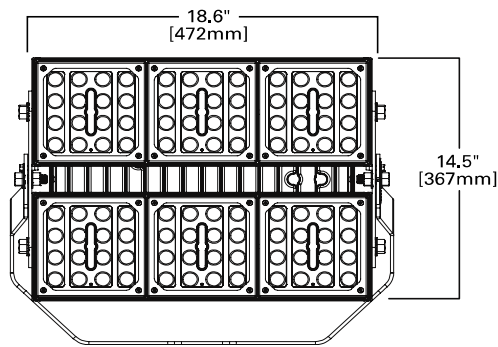
Streetworks

IFLD Infrastructure Flood Series

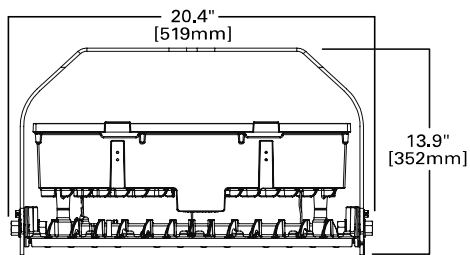
Mounting Details - 6 Square

 Supplemental Line Art

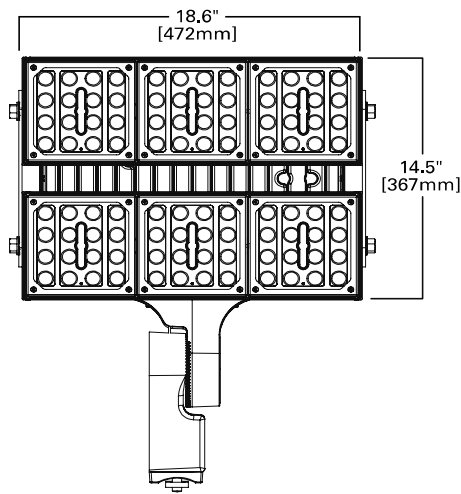
Yoke Mount



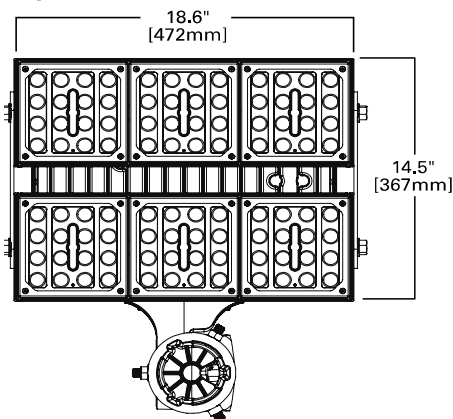
Pendant Mount



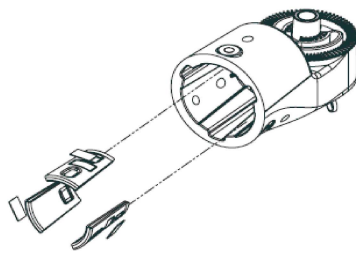
Direct Pole Mount



Slipfitter

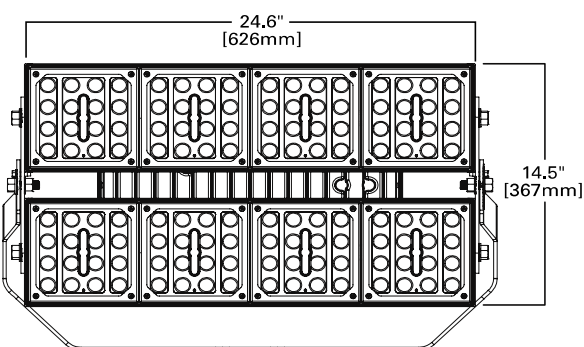


Slipfitter Spacer (SRA238)

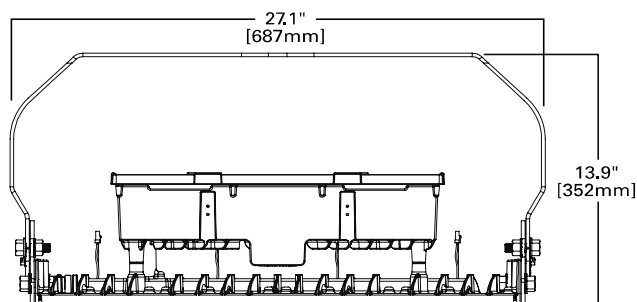


Mounting Details - 8 Square

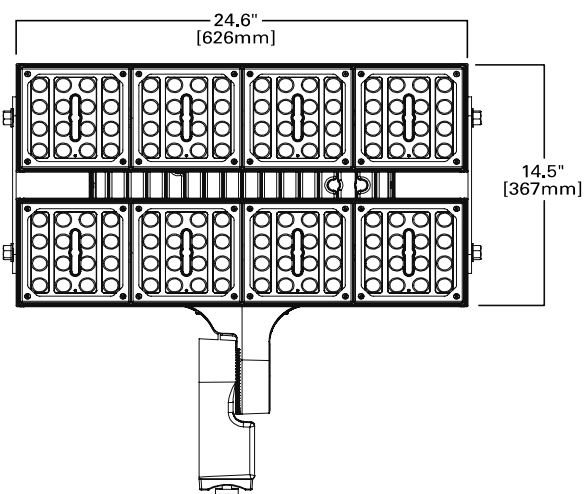
Yoke Mount



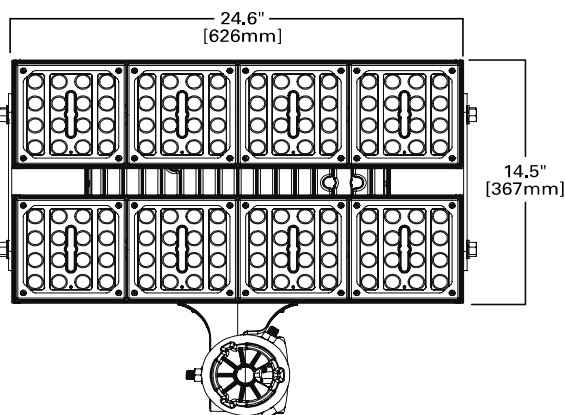
Pendant Mount



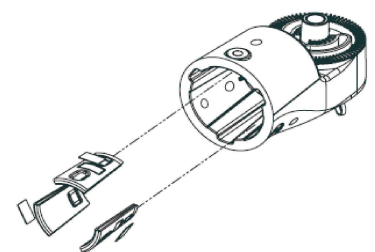
Direct Pole Mount



Slipfitter



Slipfitter Spacer (SRA238)



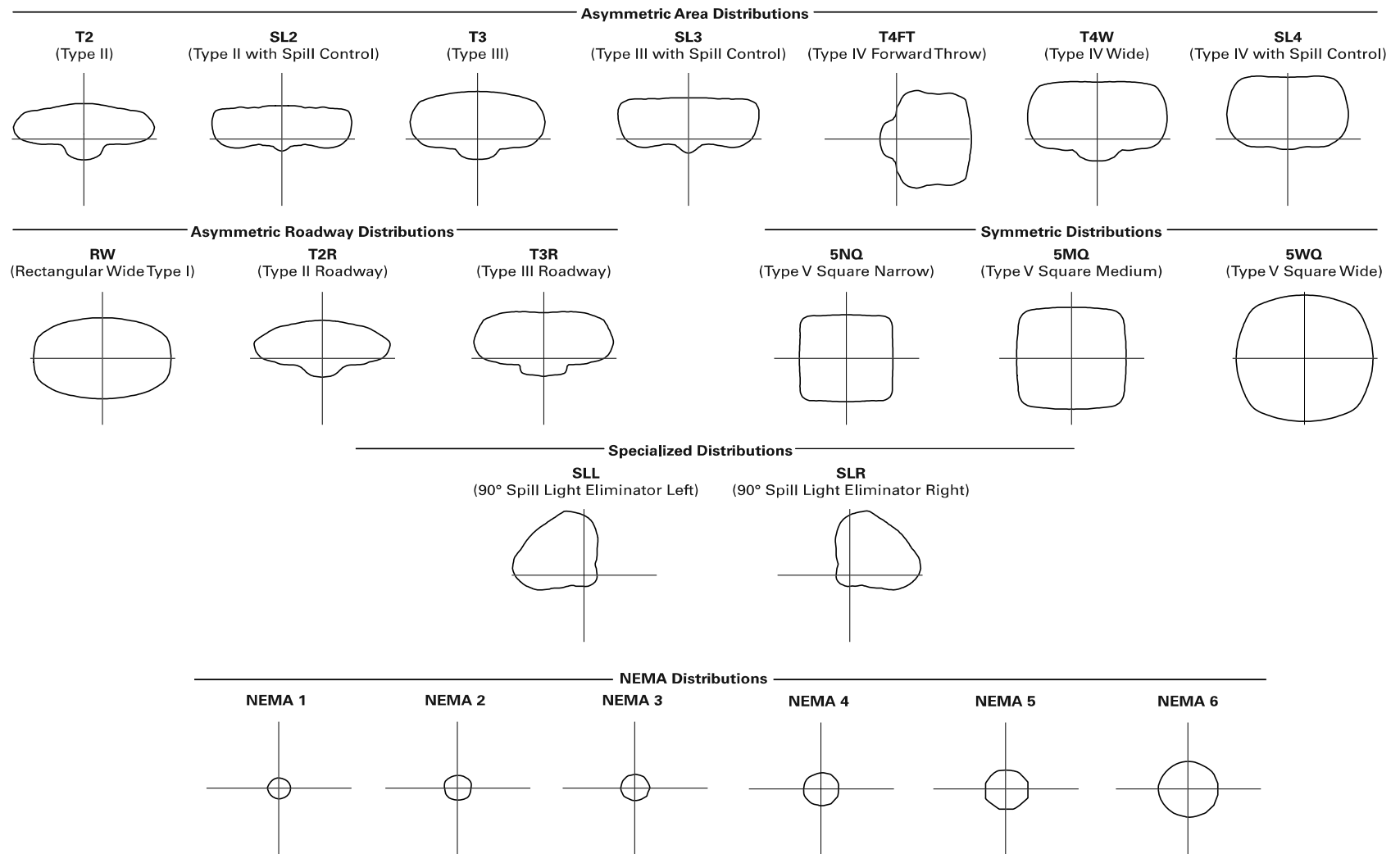
Job Name : SEHEL T AQUATIC CENTRE
 Manufacturer : STREETWORKS
 Model Number : IFLD-S-SA6-A-940-1-55-P-AP-CC

Type :
W20

Streetworks

IFLD Infrastructure Flood Series

Optical Distributions



Job Name : SECHELT AQUATIC CENTRE
Manufacturer : STREETWORKS
Model Number : IFLD-S-SA6-A-940-1-55-P-AP-CC

Type :
W20

Streetworks

IFLD Infrastructure Flood Series

Energy and Performance Data

Lumen Maintenance (TM-21)

Drive Current	Ambient Temperature	25,000 hours*	50,000 hours*	60,000 hours*	100,000 hours**	Theoretical L70 hours**
Up to 1A	25°C	99.4%	99.0%	98.9%	98.3%	> 2.4M
	40°C	98.7%	98.3%	98.1%	97.4%	> 1.9M
	50°C	98.2%	97.2%	96.8%	95.2%	> 851,000
1.2A	25°C	99.4%	99.0%	98.9%	98.3%	> 2.4M
	40°C	98.5%	97.9%	97.7%	96.7%	> 1.3M

* Supported by IES TM-21 standards
 ** Theoretical values represent estimations commonly used; however, refer to the IES position on LED Product Lifetime Prediction, IES PS-10-18, explaining proper use of IES TM-21 and LM-80.

Lumen Multiplier

Ambient Temperature	Lumen Multiplier
0°C	1.02
10°C	1.01
25°C	1.00
40°C	0.99
50°C	0.97

FADC Settings

FADC Position	Percent of Typical Lumen Output
1	27%
2	48%
3	57%
4	57%
5	64%
6	74%
7	79%
8	89%
9	94%
10	100%

Performance Table

Drive Current "C" (1050mA)

Square Count	7	8
Input Current @ 120V	3.15	3.58
Input Current @ 208V	1.85	2.11
Input Current @ 240V	1.59	1.80
Input Current @ 277V	1.40	1.59
Input Current @ 347V	1.12	1.27
Input Current @ 480V	0.81	0.92

Performance Table

Drive Current "D" (1200mA)

Square Count	7	8
Input Current @ 120V	3.62	4.10
Input Current @ 208V	2.12	2.40
Input Current @ 240V	1.84	2.06
Input Current @ 277V	1.62	1.81
Input Current @ 347V	1.24	1.40
Input Current @ 480V	0.90	1.01

Fixture Weights

LightSquare Count	2	3	6	4	7	8
Fixture Size	IFLD-S	IFLD-S	IFLD-S	IFLD-M	IFLD-L	IFLD-L
Yoke	24	24	46	26	51	51
Pendant	25	25	42	26	45	45
Slipfitter	28	28	46	30	47	47

EPA Data

LightSquare Count	2	3	6	4	7	8
Fixture Size	IFLD-S	IFLD-S	IFLD-S	IFLD-M	IFLD-L	IFLD-L
Yoke	1.61	1.61	2.38	1.64	2.78	2.78
Pendant	1.6	1.6	2.34	1.89	2.9	2.9
Slipfitter	1.77	1.77	2.47	2.04	2.99	2.99

Job Name : SECHELT AQUATIC CENTRE
 Manufacturer : STREETWORKS
 Model Number : IFLD-S-SA6-A-940-1-55-P-AP-CC

Type :
W20

Streetworks

IFLD Infrastructure Flood Series

Energy and Performance Data (IFLD-S)

Current "A" (600 mA)

Number of Light Squares		2	3	6
Nominal Power (Watts)		64	94	190
Optics				
T2	4000K Lumens	9,220	13,741	26,956
	BUG Rating	B2-U0-G2	B2-U0-G2	B3-U0-G4
	Lumens per Watt	144	146	142
T2R	4000K Lumens	9,284	13,836	27,141
	BUG Rating	B1-U0-G2	B2-U0-G2	B3-U0-G3
	Lumens per Watt	145	147	143
T3	4000K Lumens	9,403	14,013	27,489
	BUG Rating	B2-U0-G2	B2-U0-G2	B3-U0-G4
	Lumens per Watt	147	149	145
T3R	4000K Lumens	9,068	13,514	26,510
	BUG Rating	B1-U0-G2	B2-U0-G3	B3-U0-G4
	Lumens per Watt	142	144	140
T4FT	4000K Lumens	9,458	14,095	27,650
	BUG Rating	B2-U0-G2	B2-U0-G3	B3-U0-G4
	Lumens per Watt	148	150	146
T4W	4000K Lumens	9,331	13,906	27,279
	BUG Rating	B2-U0-G2	B2-U0-G3	B3-U0-G4
	Lumens per Watt	146	148	144
SL2	4000K Lumens	9,205	13,717	26,909
	BUG Rating	B2-U0-G3	B2-U0-G3	B3-U0-G4
	Lumens per Watt	144	146	142
SL3	4000K Lumens	9,109	13,576	26,633
	BUG Rating	B1-U0-G2	B2-U0-G2	B3-U0-G4
	Lumens per Watt	142	144	140
SL4	4000K Lumens	8,930	13,309	26,107
	BUG Rating	B1-U0-G3	B2-U0-G3	B3-U0-G5
	Lumens per Watt	140	142	137
5NQ	4000K Lumens	9,207	13,722	26,917
	BUG Rating	B3-U0-G1	B3-U0-G2	B4-U0-G2
	Lumens per Watt	144	146	142
5MQ	4000K Lumens	9,319	13,887	27,244
	BUG Rating	B3-U0-G2	B4-U0-G2	B5-U0-G3
	Lumens per Watt	146	148	143
5WQ	4000K Lumens	9,474	14,119	27,697
	BUG Rating	B3-U0-G2	B4-U0-G2	B5-U0-G3
	Lumens per Watt	148	150	146
RW	4000K Lumens	9,510	14,173	27,802
	BUG Rating	B3-U0-G1	B3-U0-G2	B4-U0-G2
	Lumens per Watt	149	151	146

Job Name : SECHELT AQUATIC CENTRE
 Manufacturer : STREETWORKS
 Model Number : IFLD-S-SA6-A-940-1-55-P-AP-CC

Type :
W20

Streetworks

IFLD Infrastructure Flood Series

Energy and Performance Data (IFLD-S)

Current "A" (600 mA) - Continued

Number of Light Squares		2	3	6
Nominal Power (Watts)		64	94	190
Optics				
11	4000K Lumens	3,849	5,737	11,254
	BUG Rating	B5-U0-G0	B4-U0-G0	B4-U0-G0
	Lumens per Watt	60.3	60.5	59.4
22	4000K Lumens	6,816	10,158	19,927
	BUG Rating	B4-U0-G1	B4-U0-G1	B5-U0-G1
	Lumens per Watt	107	108	105
33	4000K Lumens	6,791	10,120	19,853
	BUG Rating	B4-U0-G1	B4-U0-G1	B5-U0-G1
	Lumens per Watt	106	108	104
44	4000K Lumens	6,858	10,220	20,049
	BUG Rating	B4-U0-G1	B4-U0-G1	B5-U0-G1
	Lumens per Watt	107	109	106
55	4000K Lumens	6,600	9,836	19,294
	BUG Rating	B3-U0-G1	B4-U0-G1	B5-U0-G1
	Lumens per Watt	103	105	102
66	4000K Lumens	6,921	10,315	20,234
	BUG Rating	B3-U0-G0	B3-U0-G1	B4-U0-G1
	Lumens per Watt	108	110	106

Current "B" (800 mA)

Number of Light Squares		2	3	6
Nominal Power (Watts)		82	122	245
Optics				
T2	4000K Lumens	11,403	16,995	33,338
	BUG Rating	B2-U0-G2	B3-U0-G3	B3-U0-G4
	Lumens per Watt	139	139	136
T2R	4000K Lumens	11,482	17,111	33,567
	BUG Rating	B2-U0-G2	B2-U0-G2	B3-U0-G4
	Lumens per Watt	140	140	137
T3	4000K Lumens	11,629	17,331	33,998
	BUG Rating	B2-U0-G2	B3-U0-G3	B3-U0-G4
	Lumens per Watt	142	142	139
T3R	4000K Lumens	11,215	16,714	32,787
	BUG Rating	B2-U0-G2	B2-U0-G3	B3-U0-G5
	Lumens per Watt	137	137	134

Job Name : SECHELT AQUATIC CENTRE
 Manufacturer : STREETWORKS
 Model Number : IFLD-S-SA6-A-940-1-55-P-AP-CC

Type :
W20

Streetworks

IFLD Infrastructure Flood Series

Energy and Performance Data (IFLD-S)

Current "B" (800 mA) - Continued

Number of Light Squares		2	3	6
Nominal Power (Watts)		82	122	245
Optics				
T4FT	4000K Lumens	11,697	17,432	34,196
	BUG Rating	B2-U0-G3	B3-U0-G3	B3-U0-G5
	Lumens per Watt	143	142	140
T4W	4000K Lumens	11,540	17,198	33,738
	BUG Rating	B2-U0-G2	B3-U0-G3	B3-U0-G5
	Lumens per Watt	141	141	138
SL2	4000K Lumens	11,384	16,965	33,280
	BUG Rating	B2-U0-G3	B3-U0-G3	B3-U0-G5
	Lumens per Watt	139	139	136
SL3	4000K Lumens	11,267	16,791	32,938
	BUG Rating	B2-U0-G2	B2-U0-G3	B3-U0-G4
	Lumens per Watt	137	137	134
SL4	4000K Lumens	11,044	16,459	32,288
	BUG Rating	B1-U0-G3	B2-U0-G4	B3-U0-G5
	Lumens per Watt	135	134	132
5NQ	4000K Lumens	11,387	16,970	33,290
	BUG Rating	B3-U0-G1	B3-U0-G2	B5-U0-G2
	Lumens per Watt	139	139	136
5MQ	4000K Lumens	11,525	17,176	33,693
	BUG Rating	B4-U0-G2	B4-U0-G2	B5-U0-G4
	Lumens per Watt	141	14	138
5WQ	4000K Lumens	11,717	17,462	34,254
	BUG Rating	B4-U0-G2	B4-U0-G2	B5-U0-G4
	Lumens per Watt	143	143	140
RW	4000K Lumens	11,761	17,528	34,384
	BUG Rating	B3-U0-G2	B4-U0-G2	B5-U0-G3
	Lumens per Watt	143	143	140

Job Name : SECHELT AQUATIC CENTRE
 Manufacturer : STREETWORKS
 Model Number : IFLD-S-SA6-A-940-1-55-P-AP-CC

Type :
W20

Streetworks

IFLD Infrastructure Flood Series

Energy and Performance Data (IFLD-S)

Current "B" (800 mA) - Continued

Number of Light Squares		2	3	6
Nominal Power (Watts)		82	122	245
Optics				
11	4000K Lumens	4,761	7,095	13,918
	BUG Rating	B3-U0-G0	B4-U0-G0	B5-U0-G0
	Lumens per Watt	57.8	58	56.8
22	4000K Lumens	8,430	12,563	24,645
	BUG Rating	B4-U0-G1	B5-U0-G1	B5-U0-G1
	Lumens per Watt	103	103	101
33	4000K Lumens	8,398	12,516	24,553
	BUG Rating	B4-U0-G1	B5-U0-G1	B5-U0-G1
	Lumens per Watt	102	102	100
44	4000K Lumens	8,482	12,640	24,796
	BUG Rating	B4-U0-G1	B5-U0-G1	B5-U0-G1
	Lumens per Watt	103	103	101
55	4000K Lumens	8,160	12,164	23,862
	BUG Rating	B4-U0-G1	B4-U0-G1	B5-U0-G1
	Lumens per Watt	10	99	97
66	4000K Lumens	8,560	12,757	25,025
	BUG Rating	B3-U0-G1	B4-U0-G1	B5-U0-G1
	Lumens per Watt	104	104	102

Current "C" (1050 mA)

Number of Light Squares		2	3	6
Nominal Power (Watts)		108	160	321
Optics				
T2	4000K Lumens	14,196	21,155	41,500
	BUG Rating	B2-U0-G2	B3-U0-G3	B4-U0-G5
	Lumens per Watt	131	132	129
T2R	4000K Lumens	14,293	21,301	41,785
	BUG Rating	B2-U0-G2	B2-U0-G3	B3-U0-G4
	Lumens per Watt	132	133	130
T3	4000K Lumens	14,477	21,574	42,321
	BUG Rating	B2-U0-G2	B3-U0-G3	B4-U0-G5
	Lumens per Watt	134	135	132
T3R	4000K Lumens	13,961	20,806	40,814
	BUG Rating	B2-U0-G3	B3-U0-G4	B3-U0-G5
	Lumens per Watt	129	130	127
T4FT	4000K Lumens	14,561	21,700	42,568
	BUG Rating	B2-U0-G3	B3-U0-G4	B3-U0-G5
	Lumens per Watt	135	136	133

Job Name : SECHELT AQUATIC CENTRE
 Manufacturer : STREETWORKS
 Model Number : IFLD-S-SA6-A-940-1-55-P-AP-CC

Type :
W20

Streetworks

IFLD Infrastructure Flood Series

Energy and Performance Data (IFLD-S)

Current "C" (1050 mA) - Continued

Number of Light Squares		2	3	6
Nominal Power (Watts)		108	160	321
Optics				
T4W	4000K Lumens	14,366	21,409	41,998
	BUG Rating	B2-U0-G3	B3-U0-G4	B4-U0-G5
	Lumens per Watt	133	134	131
SL2	4000K Lumens	14,171	21,118	41,427
	BUG Rating	B2-U0-G3	B3-U0-G4	B4-U0-G5
	Lumens per Watt	131	132	129
SL3	4000K Lumens	14,025	20,901	41,002
	BUG Rating	B2-U0-G2	B2-U0-G3	B3-U0-G5
	Lumens per Watt	130	131	128
SL4	4000K Lumens	13,749	20,489	40,193
	BUG Rating	B2-U0-G3	B2-U0-G4	B3-U0-G5
	Lumens per Watt	127	128	125
5NQ	4000K Lumens	14,175	21,125	41,440
	BUG Rating	B3-U0-G2	B4-U0-G2	B5-U0-G3
	Lumens per Watt	131	132	129
5MQ	4000K Lumens	14,347	21,381	41,942
	BUG Rating	B4-U0-G2	B4-U0-G2	B5-U0-G4
	Lumens per Watt	133	134	131
5WQ	4000K Lumens	14,586	21,737	42,640
	BUG Rating	B4-U0-G2	B5-U0-G3	B5-U0-G4
	Lumens per Watt	135	136	133
RW	4000K Lumens	14,641	21,819	42,802
	BUG Rating	B3-U0-G2	B4-U0-G2	B5-U0-G3
	Lumens per Watt	136	136	133
11	4000K Lumens	5,926	8,832	17,325
	BUG Rating	B4-U0-G0	B4-U0-G0	B5-U0-G0
	Lumens per Watt	54.8	54.9	53.9
22	4000K Lumens	10,494	15,639	30,679
	BUG Rating	B4-U0-G1	B5-U0-G1	B5-U0-G1
	Lumens per Watt	97	98	96
33	4000K Lumens	10,455	15,581	30,564
	BUG Rating	B4-U0-G1	B5-U0-G1	B5-U0-G1
	Lumens per Watt	97	97	95
44	4000K Lumens	10,558	15,735	30,866
	BUG Rating	B4-U0-G1	B5-U0-G1	B5-U0-G1
	Lumens per Watt	98	98	96
55	4000K Lumens	10,161	15,142	29,704
	BUG Rating	B4-U0-G1	B4-U0-G1	B5-U0-G1
	Lumens per Watt	94	95	93
66	4000K Lumens	10,656	15,880	31,151
	BUG Rating	B3-U0-G1	B4-U0-G1	B5-U0-G1
	Lumens per Watt	99	99	97

Job Name : SECHELT AQUATIC CENTRE
 Manufacturer : STREETWORKS
 Model Number : IFLD-S-SA6-A-940-1-55-P-AP-CC

Type :
W20

Streetworks

IFLD Infrastructure Flood Series

Energy and Performance Data (IFLD-S)

Current "D" (1200 mA) - Continued

Number of Light Squares		2	3	6
Nominal Power (Watts)		124	184	368
Optics				
T2	4000K Lumens	15,620	23,278	45,664
	BUG Rating	B3-U0-G3	B3-U0-G3	B4-U0-G5
	Lumens per Watt	126	127	124
T2R	4000K Lumens	15,727	23,438	45,978
	BUG Rating	B2-U0-G2	B3-U0-G3	B3-U0-G5
	Lumens per Watt	127	127	125
T3	4000K Lumens	15,929	23,739	46,568
	BUG Rating	B2-U0-G3	B3-U0-G4	B4-U0-G5
	Lumens per Watt	129	129	126
T3R	4000K Lumens	15,370	22,893	44,910
	BUG Rating	B2-U0-G3	B3-U0-G4	B3-U0-G5
	Lumens per Watt	124	124	122
T4FT	4000K Lumens	16,022	23,877	46,840
	BUG Rating	B2-U0-G3	B3-U0-G4	B4-U0-G5
	Lumens per Watt	129	130	127
T4W	4000K Lumens	15,807	23,557	46,212
	BUG Rating	B3-U0-G3	B3-U0-G4	B4-U0-G5
	Lumens per Watt	128	128	126
SL2	4000K Lumens	15,593	23,237	45,585
	BUG Rating	B3-U0-G3	B3-U0-G4	B4-U0-G5
	Lumens per Watt	126	126	124
SL3	4000K Lumens	15,432	22,998	45,116
	BUG Rating	B2-U0-G3	B3-U0-G4	B3-U0-G5
	Lumens per Watt	125	125	123
SL4	4000K Lumens	15,128	22,545	44,226
	BUG Rating	B2-U0-G3	B2-U0-G4	B3-U0-G5
	Lumens per Watt	122	123	120
5NQ	4000K Lumens	15,597	23,244	45,599
	BUG Rating	B3-U0-G2	B4-U0-G2	B5-U0-G3
	Lumens per Watt	126	126	124
5MQ	4000K Lumens	15,787	23,526	46,152
	BUG Rating	B4-U0-G2	B5-U0-G3	B5-U0-G4
	Lumens per Watt	127	128	125
5WQ	4000K Lumens	16,049	23,918	46,920
	BUG Rating	B4-U0-G2	B5-U0-G3	B5-U0-G5
	Lumens per Watt	130	130	127
RW	4000K Lumens	16,110	24,008	47,098
	BUG Rating	B4-U0-G2	B4-U0-G2	B5-U0-G4
	Lumens per Watt	130	130	128

Job Name : SECHELT AQUATIC CENTRE
 Manufacturer : STREETWORKS
 Model Number : IFLD-S-SA6-A-940-1-55-P-AP-CC

Type :
W20

Streetworks

IFLD Infrastructure Flood Series

Energy and Performance Data (IFLD-S)

Current "D" (1200 mA) - Continued

Number of Light Squares		2	3	6
Nominal Power (Watts)		124	184	368
Optics				
11	4000K Lumens	6,521	9,718	19,064
	BUG Rating	B4-U0-G0	B4-U0-G0	B5-U0-G0
	Lumens per Watt	52.6	52.8	51.8
22	4000K Lumens	11,547	17,208	33,758
	BUG Rating	B5-U0-G1	B5-U0-G1	B5-U0-G1
	Lumens per Watt	93	94	92
33	4000K Lumens	11,504	17,144	33,631
	BUG Rating	B5-U0-G1	B5-U0-G1	B5-U0-G1
	Lumens per Watt	93	93	91
44	4000K Lumens	11,618	17,313	33,964
	BUG Rating	B4-U0-G1	B5-U0-G1	B5-U0-G1
	Lumens per Watt	94	94	92
55	4000K Lumens	11,180	16,661	32,685
	BUG Rating	B4-U0-G1	B5-U0-G1	B5-U0-G1
	Lumens per Watt	90	91	89
66	4000K Lumens	11,725	17,473	34,278
	BUG Rating	B4-U0-G1	B4-U0-G1	B5-U0-G2
	Lumens per Watt	95	95	93

Current "E" (1500 mA)

Number of Light Squares		2	3	6
Nominal Power (Watts)		156	232	464
Optics				
T2	4000K Lumens	18,077	26,939	52,846
	BUG Rating	B3-U0-G3	B3-U0-G4	B4-U0-G5
	Lumens per Watt	116	116	114
T2R	4000K Lumens	18,201	27,125	53,210
	BUG Rating	B2-U0-G2	B3-U0-G3	B3-U0-G5
	Lumens per Watt	117	117	115
T3	4000K Lumens	18,435	27,473	53,893
	BUG Rating	B3-U0-G3	B3-U0-G4	B4-U0-G5
	Lumens per Watt	118	118	116
T3R	4000K Lumens	17,778	26,495	51,974
	BUG Rating	B2-U0-G3	B3-U0-G4	B4-U0-G5
	Lumens per Watt	114	114	112
T4FT	4000K Lumens	18,542	27,263	53,481
	BUG Rating	B3-U0-G3	B3-U0-G4	B4-U0-G5
	Lumens per Watt	119	117	115
T4W	4000K Lumens	18,294	27,263	53,481
	BUG Rating	B3-U0-G4	B3-U0-G4	B4-U0-G5
	Lumens per Watt	117	117	115
SL2	4000K Lumens	18,045	26,892	52,754
	BUG Rating	B3-U0-G3	B3-U0-G4	B4-U0-G5
	Lumens per Watt	116	116	114

Job Name : SECHELT AQUATIC CENTRE
 Manufacturer : STREETWORKS
 Model Number : IFLD-S-SA6-A-940-1-55-P-AP-CC

Type :
W20

Streetworks

IFLD Infrastructure Flood Series

Energy and Performance Data (IFLD-S)

Current "E" (1500 mA)

Number of Light Squares		2	3	6
Nominal Power (Watts)		156	232	464
Optics				
SL3	4000K Lumens	17,860	26,616	52,212
	BUG Rating	B2-U0-G3	B3-U0-G4	B3-U0-G5
	Lumens per Watt	114	115	112
SL4	4000K Lumens	17,507	26,091	51,182
	BUG Rating	B2-U0-G4	B3-U0-G5	B3-U0-G5
	Lumens per Watt	112	112	110
5NQ	4000K Lumens	18,051	26,901	52,771
	BUG Rating	B4-U0-G2	B4-U0-G2	B5-U0-G4
	Lumens per Watt	116	116	114
5MQ	4000K Lumens	18,269	27,227	53,410
	BUG Rating	B4-U0-G2	B5-U0-G3	B5-U0-G5
	Lumens per Watt	117	117	115
5WQ	4000K Lumens	18,574	27,680	54,299
	BUG Rating	B4-U0-G2	B5-U0-G3	B5-U0-G5
	Lumens per Watt	119	119	117
RW	4000K Lumens	18,644	27,785	54,505
	BUG Rating	B4-U0-G2	B4-U0-G2	B5-U0-G4
	Lumens per Watt	119	120	117
11	4000K Lumens	7,547	11,247	22,062
	BUG Rating	B4-U0-G0	B4-U0-G0	B5-U0-G0
	Lumens per Watt	48.3	48.5	47.5
22	4000K Lumens	13,363	19,915	39,067
	BUG Rating	B5-U0-G1	B5-U0-G1	B5-U0-G1
	Lumens per Watt	86	86	84
33	4000K Lumens	13,313	19,841	38,921
	BUG Rating	B5-U0-G1	B5-U0-G1	B5-U0-G1
	Lumens per Watt	85	85	84
44	4000K Lumens	13,445	20,037	39,306
	BUG Rating	B5-U0-G1	B5-U0-G1	B5-U0-G1
	Lumens per Watt	86	86	85
55	4000K Lumens	12,939	19,282	37,826
	BUG Rating	B4-U0-G1	B5-U0-G1	B5-U0-G1
	Lumens per Watt	83	83	81
66	4000K Lumens	13,569	20,222	39,669
	BUG Rating	B4-U0-G1	B4-U0-G1	B5-U0-G1
	Lumens per Watt	87	87	85

Job Name : SECHELT AQUATIC CENTRE
 Manufacturer : STREETWORKS
 Model Number : IFLD-S-SA6-A-940-1-55-P-AP-CC

Type :
W20

Streetworks

IFLD Infrastructure Flood Series

Energy and Performance Data (IFLD-M)

Current "A" (600 mA)

Number of Light Squares		4
Nominal Power (Watts)		129
Optics		
T2	4000K Lumens	18,444
	BUG Rating	B3-U0-G3
	Lumens per Watt	143
T2R	4000K Lumens	18,571
	BUG Rating	B2-U0-G2
	Lumens per Watt	144
T3	4000K Lumens	18,809
	BUG Rating	B3-U0-G3
	Lumens per Watt	146
T3R	4000K Lumens	18,140
	BUG Rating	B2-U0-G3
	Lumens per Watt	141
T4FT	4000K Lumens	18,919
	BUG Rating	B3-U0-G3
	Lumens per Watt	147
T4W	4000K Lumens	18,666
	BUG Rating	B3-U0-G4
	Lumens per Watt	145
SL2	4000K Lumens	18,412
	BUG Rating	B3-U0-G3
	Lumens per Watt	143
SL3	4000K Lumens	18,223
	BUG Rating	B2-U0-G3
	Lumens per Watt	142
SL4	4000K Lumens	17,863
	BUG Rating	B2-U0-G4
	Lumens per Watt	139
5NQ	4000K Lumens	18,418
	BUG Rating	B4-U0-G2
	Lumens per Watt	143
5MQ	4000K Lumens	18,641
	BUG Rating	B4-U0-G2
	Lumens per Watt	145
5WQ	4000K Lumens	18,951
	BUG Rating	B4-U0-G2
	Lumens per Watt	147
RW	4000K Lumens	19023.1
	BUG Rating	B4-U0-G2
	Lumens per Watt	148

Current "A" (600 mA)

Number of Light Squares		4
Nominal Power (Watts)		64
Optics		
11	4000K Lumens	7,438
	BUG Rating	B4-U0-G0
	Lumens per Watt	59.9
22	4000K Lumens	13,635
	BUG Rating	B5-U0-G1
	Lumens per Watt	106
33	4000K Lumens	13,584
	BUG Rating	B5-U0-G1
	Lumens per Watt	106
44	4000K Lumens	13,718
	BUG Rating	B5-U0-G1
	Lumens per Watt	107
55	4000K Lumens	13,202
	BUG Rating	B4-U0-G1
	Lumens per Watt	103
66	4000K Lumens	13,845
	BUG Rating	B4-U0-G1
	Lumens per Watt	108

Job Name : SECHELT AQUATIC CENTRE
 Manufacturer : STREETWORKS
 Model Number : IFLD-S-SA6-A-940-1-55-P-AP-CC

Type :
W20

Streetworks

IFLD Infrastructure Flood Series

Energy and Performance Data (IFLD-M)

Current "B" (800 mA)

Number of Light Squares		4
Nominal Power (Watts)		166
Optics		
T2	4000K Lumens	22,811
	BUG Rating	B3-U0-G3
	Lumens per Watt	137
T2R	4000K Lumens	22,968
	BUG Rating	B3-U0-G3
	Lumens per Watt	138
T3	4000K Lumens	23,262
	BUG Rating	B3-U0-G3
	Lumens per Watt	140
T3R	4000K Lumens	22,434
	BUG Rating	B3-U0-G4
	Lumens per Watt	135
T4FT	4000K Lumens	23,398
	BUG Rating	B3-U0-G4
	Lumens per Watt	141
T4W	4000K Lumens	23,085
	BUG Rating	B3-U0-G4
	Lumens per Watt	139
SL2	4000K Lumens	22,771
	BUG Rating	B3-U0-G4
	Lumens per Watt	137
SL3	4000K Lumens	22,537
	BUG Rating	B3-U0-G4
	Lumens per Watt	136
SL4	4000K Lumens	22,092
	BUG Rating	B2-U0-G4
	Lumens per Watt	133
5NQ	4000K Lumens	22,778
	BUG Rating	B4-U0-G2
	Lumens per Watt	137
5MQ	4000K Lumens	23,054
	BUG Rating	B5-U0-G3
	Lumens per Watt	139
5WQ	4000K Lumens	23,438
	BUG Rating	B5-U0-G3
	Lumens per Watt	141
RW	4000K Lumens	23,527
	BUG Rating	B4-U0-G2
	Lumens per Watt	142

Current "B" (800 mA)

Number of Light Squares		4
Nominal Power (Watts)		166
Optics		
11	4000K Lumens	9,199
	BUG Rating	B4-U0-G0
	Lumens per Watt	57.4
22	4000K Lumens	16,863
	BUG Rating	B5-U0-G1
	Lumens per Watt	102
33	4000K Lumens	16,800
	BUG Rating	B5-U0-G1
	Lumens per Watt	101
44	4000K Lumens	16,800
	BUG Rating	B5-U0-G1
	Lumens per Watt	101
55	4000K Lumens	16,327
	BUG Rating	B5-U0-G1
	Lumens per Watt	98
66	4000K Lumens	17,123
	BUG Rating	B4-U0-G1
	Lumens per Watt	103

Job Name : SECHELT AQUATIC CENTRE
 Manufacturer : STREETWORKS
 Model Number : IFLD-S-SA6-A-940-1-55-P-AP-CC

Type :
W20

Streetworks

IFLD Infrastructure Flood Series

Energy and Performance Data (IFLD-M)

Current "C" (1050 mA)

Number of Light Squares		4
Nominal Power (Watts)		218
Optics		
T2	4000K Lumens	28,396
	BUG Rating	B3-U0-G4
	Lumens per Watt	130
T2R	4000K Lumens	28,591
	BUG Rating	B3-U0-G4
	Lumens per Watt	131
T3	4000K Lumens	28,958
	BUG Rating	B3-U0-G4
	Lumens per Watt	133
T3R	4000K Lumens	27,927
	BUG Rating	B3-U0-G4
	Lumens per Watt	128
T4FT	4000K Lumens	29,127
	BUG Rating	B3-U0-G4
	Lumens per Watt	134
T4W	4000K Lumens	28,737
	BUG Rating	B3-U0-G4
	Lumens per Watt	132
SL2	4000K Lumens	28,346
	BUG Rating	B3-U0-G4
	Lumens per Watt	130
SL3	4000K Lumens	28,055
	BUG Rating	B3-U0-G4
	Lumens per Watt	129
SL4	4000K Lumens	27,502
	BUG Rating	B3-U0-G5
	Lumens per Watt	126
5NQ	4000K Lumens	28,355
	BUG Rating	B4-U0-G2
	Lumens per Watt	130
5MQ	4000K Lumens	28,699
	BUG Rating	B5-U0-G3
	Lumens per Watt	132
5WQ	4000K Lumens	29,177
	BUG Rating	B5-U0-G3
	Lumens per Watt	134
RW	4000K Lumens	29,287
	BUG Rating	B4-U0-G3
	Lumens per Watt	134

Current "C" (1050 mA)

Number of Light Squares		4
Nominal Power (Watts)		218
Optics		
11	4000K Lumens	11,452
	BUG Rating	B5-U0-G0
	Lumens per Watt	54.4
22	4000K Lumens	20,992
	BUG Rating	B5-U0-G0
	Lumens per Watt	96
33	4000K Lumens	20,913
	BUG Rating	B5-U0-G0
	Lumens per Watt	96
44	4000K Lumens	21,120
	BUG Rating	B5-U0-G0
	Lumens per Watt	97
55	4000K Lumens	20,325
	BUG Rating	B5-U0-G0
	Lumens per Watt	93
66	4000K Lumens	21,315
	BUG Rating	B4-U0-G1
	Lumens per Watt	98

Job Name : SECHELT AQUATIC CENTRE
 Manufacturer : STREETWORKS
 Model Number : IFLD-S-SA6-A-940-1-55-P-AP-CC

Type :
W20

Streetworks

IFLD Infrastructure Flood Series

Energy and Performance Data (IFLD-M)

Current "D" (1200 mA)

Number of Light Squares		4
Nominal Power (Watts)		250
Optics		
T2	4000K Lumens	31,245
	BUG Rating	B3-U0-G4
	Lumens per Watt	125
T2R	4000K Lumens	31,459
	BUG Rating	B3-U0-G4
	Lumens per Watt	126
T3	4000K Lumens	31,863
	BUG Rating	B3-U0-G4
	Lumens per Watt	128
T3R	4000K Lumens	30,729
	BUG Rating	B3-U0-G4
	Lumens per Watt	123
T4FT	4000K Lumens	32,049
	BUG Rating	B3-U0-G5
	Lumens per Watt	128
T4W	4000K Lumens	31,620
	BUG Rating	B3-U0-G5
	Lumens per Watt	127
SL2	4000K Lumens	31,190
	BUG Rating	B3-U0-G5
	Lumens per Watt	125
SL3	4000K Lumens	30,870
	BUG Rating	B3-U0-G4
	Lumens per Watt	124
SL4	4000K Lumens	30,261
	BUG Rating	B3-U0-G5
	Lumens per Watt	121
5NQ	4000K Lumens	31,200
	BUG Rating	B5-U0-G2
	Lumens per Watt	125
5MQ	4000K Lumens	31,578
	BUG Rating	B5-U0-G3
	Lumens per Watt	126
5WQ	4000K Lumens	32,104
	BUG Rating	B5-U0-G4
	Lumens per Watt	129
RW	4000K Lumens	32,225
	BUG Rating	B5-U0-G3
	Lumens per Watt	129

Current "D" (1200 mA)

Number of Light Squares		4
Nominal Power (Watts)		250
Optics		
11	4000K Lumens	12,601
	BUG Rating	B5-U0-G0
	Lumens per Watt	52.3
22	4000K Lumens	23,098
	BUG Rating	B5-U0-G1
	Lumens per Watt	93
33	4000K Lumens	23,011
	BUG Rating	B5-U0-G1
	Lumens per Watt	92
44	4000K Lumens	23,239
	BUG Rating	B5-U0-G1
	Lumens per Watt	93
55	4000K Lumens	22,364
	BUG Rating	B5-U0-G1
	Lumens per Watt	90
66	4000K Lumens	23,454
	BUG Rating	B5-U0-G1
	Lumens per Watt	94

Job Name : SECHELT AQUATIC CENTRE
 Manufacturer : STREETWORKS
 Model Number : IFLD-S-SA6-A-940-1-55-P-AP-CC

Type :
W20

Streetworks

IFLD Infrastructure Flood Series

Energy and Performance Data (IFLD-M)

Current "E" (1500 mA)

Number of Light Squares		4
Nominal Power (Watts)		315
Optics		
T2	4000K Lumens	36,159
	BUG Rating	B3-U0-G4
	Lumens per Watt	115
T2R	4000K Lumens	36,408
	BUG Rating	B3-U0-G4
	Lumens per Watt	116
T3	4000K Lumens	36,875
	BUG Rating	B3-U0-G4
	Lumens per Watt	117
T3R	4000K Lumens	35,562
	BUG Rating	B3-U0-G5
	Lumens per Watt	113
T4FT	4000K Lumens	37,090
	BUG Rating	B3-U0-G5
	Lumens per Watt	118
T4W	4000K Lumens	36,593
	BUG Rating	B3-U0-G5
	Lumens per Watt	116
SL2	4000K Lumens	36,096
	BUG Rating	B4-U0-G5
	Lumens per Watt	115
SL3	4000K Lumens	35,725
	BUG Rating	B3-U0-G5
	Lumens per Watt	113
SL4	4000K Lumens	35,020
	BUG Rating	B3-U0-G5
	Lumens per Watt	111
5NQ	4000K Lumens	36,107
	BUG Rating	B5-U0-G3
	Lumens per Watt	115
5MQ	4000K Lumens	36,545
	BUG Rating	B5-U0-G4
	Lumens per Watt	116
5WQ	4000K Lumens	37,153
	BUG Rating	B5-U0-G4
	Lumens per Watt	118
RW	4000K Lumens	37,294
	BUG Rating	B5-U0-G3
	Lumens per Watt	118

Current "E" (1500 mA)

Number of Light Squares		4
Nominal Power (Watts)		315
Optics		
11	4000K Lumens	14,583
	BUG Rating	B5-U0-G0
	Lumens per Watt	48
22	4000K Lumens	26,731
	BUG Rating	B5-U0-G1
	Lumens per Watt	85
33	4000K Lumens	26,631
	BUG Rating	B5-U0-G1
	Lumens per Watt	85
44	4000K Lumens	26,894
	BUG Rating	B5-U0-G1
	Lumens per Watt	85
55	4000K Lumens	25,881
	BUG Rating	B5-U0-G1
	Lumens per Watt	82
66	4000K Lumens	27,143
	BUG Rating	B5-U0-G1
	Lumens per Watt	86

Job Name : SECHELT AQUATIC CENTRE
 Manufacturer : STREETWORKS
 Model Number : IFLD-S-SA6-A-940-1-55-P-AP-CC

Type :
W20

Streetworks

IFLD Infrastructure Flood Series

Energy and Performance Data (IFLD-L)

Current "A" (600 mA)

Number of Light Squares		7	8
Nominal Power (Watts)		218	248
Optics			
T2	4000K Lumens	31,261	34,213
	BUG Rating	B3-U0-G4	B3-U0-G4
	Lumens per Watt	144	138
T2R	4000K Lumens	31,476	34,448
	BUG Rating	B3-U0-G4	B3-U0-G4
	Lumens per Watt	145	139
T3	4000K Lumens	31,880	34,891
	BUG Rating	B3-U0-G4	B3-U0-G4
	Lumens per Watt	147	141
T3R	4000K Lumens	30,745	33,648
	BUG Rating	B3-U0-G4	B3-U0-G5
	Lumens per Watt	141	136
T4FT	4000K Lumens	32,066	35,094
	BUG Rating	B3-U0-G5	B3-U0-G5
	Lumens per Watt	147	142
T4W	4000K Lumens	31,636	34,624
	BUG Rating	B3-U0-G5	B3-U0-G5
	Lumens per Watt	145	140
SL2	4000K Lumens	31,207	34,154
	BUG Rating	B3-U0-G5	B3-U0-G5
	Lumens per Watt	143	138
SL3	4000K Lumens	30,886	33,803
	BUG Rating	B3-U0-G4	B3-U0-G4
	Lumens per Watt	142	136
SL4	4000K Lumens	30,277	33,136
	BUG Rating	B3-U0-G5	B3-U0-G5
	Lumens per Watt	139	134
5NQ	4000K Lumens	31,216	34,164
	BUG Rating	B5-U0-G2	B5-U0-G3
	Lumens per Watt	143	138
5MQ	4000K Lumens	31,595	34,578
	BUG Rating	B5-U0-G3	B5-U0-G4
	Lumens per Watt	145	140
5WQ	4000K Lumens	32,121	35,154
	BUG Rating	B5-U0-G4	B5-U0-G4
	Lumens per Watt	148	142
RW	4000K Lumens	32,242	35,287
	BUG Rating	B5-U0-G3	B5-U0-G3
	Lumens per Watt	148	142

Current "A" (600 mA)

Number of Light Squares		7	8
Nominal Power (Watts)		218	248
Optics			
11	4000K Lumens	13,051	14,050
	BUG Rating	B5-U0-G0	B5-U0-G0
	Lumens per Watt	60	56.7
22	4000K Lumens	23,110	24,879
	BUG Rating	B5-U0-G1	B5-U0-G1
	Lumens per Watt	106	100
33	4000K Lumens	23,023	24,786
	BUG Rating	B5-U0-G1	B5-U0-G1
	Lumens per Watt	106	100
44	4000K Lumens	23,251	25,031
	BUG Rating	B5-U0-G1	B5-U0-G1
	Lumens per Watt	107	101
55	4000K Lumens	22,376	24,089
	BUG Rating	B5-U0-G1	B5-U0-G1
	Lumens per Watt	103	97
66	4000K Lumens	23,466	25,263
	BUG Rating	B5-U0-G1	B5-U0-G1
	Lumens per Watt	108	102

Job Name : SECHELT AQUATIC CENTRE
 Manufacturer : STREETWORKS
 Model Number : IFLD-S-SA6-A-940-1-55-P-AP-CC

Type :
W20

Streetworks

IFLD Infrastructure Flood Series

Energy and Performance Data (IFLD-L)

Current "B" (800 mA)

Number of Light Squares		7	8
Nominal Power (Watts)		281	320
Optics			
T2	4000K Lumens	35,567	40,648
	BUG Rating	B3-U0-G4	B4-U0-G5
	Lumens per Watt	127	127
T2R	4000K Lumens	35811.7	40927
	BUG Rating	B3-U0-G4	B3-U0-G4
	Lumens per Watt	127	128
T3	4000K Lumens	36,271	41,452
	BUG Rating	B3-U0-G4	B4-U0-G5
	Lumens per Watt	129	130
T3R	4000K Lumens	34,980	39,976
	BUG Rating	B3-U0-G5	B3-U0-G5
	Lumens per Watt	124	125
T4FT	4000K Lumens	36,483	41,694
	BUG Rating	B3-U0-G5	B3-U0-G5
	Lumens per Watt	130	130
T4W	4000K Lumens	35,994	41,135
	BUG Rating	B3-U0-G5	B4-U0-G5
	Lumens per Watt	128	129
SL2	4000K Lumens	35,505	40,577
	BUG Rating	B3-U0-G5	B4-U0-G5
	Lumens per Watt	126	127
SL3	4000K Lumens	35,140	40,160
	BUG Rating	B3-U0-G4	B3-U0-G5
	Lumens per Watt	125	125
SL4	4000K Lumens	34,447	39,368
	BUG Rating	B3-U0-G5	B3-U0-G5
	Lumens per Watt	123	123
5NQ	4000K Lumens	35,516	40,589
	BUG Rating	B5-U0-G3	B5-U0-G3
	Lumens per Watt	126	127
5MQ	4000K Lumens	35,947	41,081
	BUG Rating	B5-U0-G4	B5-U0-G4
	Lumens per Watt	128	128
5WQ	4000K Lumens	36,545	41,765
	BUG Rating	B5-U0-G4	B5-U0-G4
	Lumens per Watt	130	131
RW	4000K Lumens	36,684	41,923
	BUG Rating	B5-U0-G3	B5-U0-G3
	Lumens per Watt	131	131

Current "B" (800 mA)

Number of Light Squares		7	8
Nominal Power (Watts)		281	320
Optics			
11	4000K Lumens	14,849	16,693
	BUG Rating	B5-U0-G0	B5-U0-G0
	Lumens per Watt	52.8	52.2
22	4000K Lumens	26,293	29,558
	BUG Rating	B5-U0-G1	B5-U0-G1
	Lumens per Watt	94	92
33	4000K Lumens	26,195	29,448
	BUG Rating	B5-U0-G1	B5-U0-G1
	Lumens per Watt	93	92
44	4000K Lumens	26,454	29,739
	BUG Rating	B5-U0-G1	B5-U0-G1
	Lumens per Watt	94	93
55	4000K Lumens	25,458	28,620
	BUG Rating	B5-U0-G1	B5-U0-G1
	Lumens per Watt	91	89
66	4000K Lumens	26,698	30,014
	BUG Rating	B5-U0-G1	B5-U0-G1
	Lumens per Watt	95	94

Job Name : SECHELT AQUATIC CENTRE
 Manufacturer : STREETWORKS
 Model Number : IFLD-S-SA6-A-940-1-55-P-AP-CC

Type :
W20

Streetworks

IFLD Infrastructure Flood Series

Energy and Performance Data (IFLD-L)

Current "C" (1050 mA)

Number of Light Squares		7	8
Nominal Power (Watts)		369	420
Optics			
T2	4000K Lumens	44,275	50,600
	BUG Rating	B4-U0-G5	B4-U0-G5
	Lumens per Watt	120	120
T2R	4000K Lumens	44,579	50,948
	BUG Rating	B3-U0-G4	B3-U0-G5
	Lumens per Watt	121	121
T3	4000K Lumens	45,152	51,602
	BUG Rating	B4-U0-G5	B4-U0-G5
	Lumens per Watt	122	123
T3R	4000K Lumens	43,544	49,765
	BUG Rating	B3-U0-G5	B4-U0-G5
	Lumens per Watt	118	118
T4FT	4000K Lumens	45,415	51,903
	BUG Rating	B4-U0-G5	B4-U0-G5
	Lumens per Watt	123	123
T4W	4000K Lumens	44,806	51,208
	BUG Rating	B4-U0-G5	B4-U0-G5
	Lumens per Watt	121	122
SL2	4000K Lumens	44,198	50,512
	BUG Rating	B4-U0-G5	B4-U0-G5
	Lumens per Watt	120	120
SL3	4000K Lumens	43,744	49,993
	BUG Rating	B3-U0-G5	B3-U0-G5
	Lumens per Watt	119	119
SL4	4000K Lumens	42,881	49,007
	BUG Rating	B3-U0-G5	B3-U0-G5
	Lumens per Watt	116	117
5NQ	4000K Lumens	44,212	50,528
	BUG Rating	B5-U0-G3	B5-U0-G3
	Lumens per Watt	120	120
5MQ	4000K Lumens	44,747	51,140
	BUG Rating	B5-U0-G4	B5-U0-G4
	Lumens per Watt	121	122
5WQ	4000K Lumens	45,492	51,991
	BUG Rating	B5-U0-G4	B5-U0-G5
	Lumens per Watt	123	124
RW	4000K Lumens	45,665	52,189
	BUG Rating	B5-U0-G4	B5-U0-G4
	Lumens per Watt	124	124

Current "C" (1050 mA)

Number of Light Squares		7	8
Nominal Power (Watts)		369	420
Optics			
11	4000K Lumens	18,484	20,780
	BUG Rating	B5-U0-G0	B5-U0-G0
	Lumens per Watt	50.1	49.4
22	4000K Lumens	32,731	36,796
	BUG Rating	B5-U0-G1	B5-U0-G1
	Lumens per Watt	89	88
33	4000K Lumens	32,608	36,658
	BUG Rating	B5-U0-G1	B5-U0-G1
	Lumens per Watt	88	87
44	4000K Lumens	32,930	37,021
	BUG Rating	B5-U0-G1	B5-U0-G1
	Lumens per Watt	89	88
55	4000K Lumens	31,691	35,627
	BUG Rating	B5-U0-G1	B5-U0-G1
	Lumens per Watt	86	85
66	4000K Lumens	33,235	37,363
	BUG Rating	B5-U0-G1	B5-U0-G1
	Lumens per Watt	90	89

Job Name : SECHELT AQUATIC CENTRE
 Manufacturer : STREETWORKS
 Model Number : IFLD-S-SA6-A-940-1-55-P-AP-CC

Type :
W20

Streetworks

IFLD Infrastructure Flood Series

Energy and Performance Data (IFLD-L)

Current "D" (1200 mA)

Number of Light Squares		7	8
Nominal Power (Watts)		423	488
Optics			
T2	4000K Lumens	48,718	55,678
	BUG Rating	B4-U0-G5	B4-U0-G5
	Lumens per Watt	115	114
T2R	4000K Lumens	49,053	56,060
	BUG Rating	B3-U0-G5	B4-U0-G5
	Lumens per Watt	116	115
T3	4000K Lumens	49,682	56,780
	BUG Rating	B4-U0-G5	B4-U0-G5
	Lumens per Watt	118	116
T3R	4000K Lumens	47,913	54,758
	BUG Rating	B3-U0-G5	B4-U0-G5
	Lumens per Watt	113	112
T4FT	4000K Lumens	49,972	57,111
	BUG Rating	B4-U0-G5	B4-U0-G5
	Lumens per Watt	118	117
T4W	4000K Lumens	49,302	56,346
	BUG Rating	B4-U0-G5	B4-U0-G5
	Lumens per Watt	117	115
SL2	4000K Lumens	48,633	55,580
	BUG Rating	B4-U0-G5	B4-U0-G5
	Lumens per Watt	115	114
SL3	4000K Lumens	48,133	55,009
	BUG Rating	B3-U0-G5	B3-U0-G5
	Lumens per Watt	114	113
SL4	4000K Lumens	47,184	53,924
	BUG Rating	B3-U0-G5	B3-U0-G5
	Lumens per Watt	112	111
5NQ	4000K Lumens	48,648	55,598
	BUG Rating	B5-U0-G3	B5-U0-G4
	Lumens per Watt	115	114
5MQ	4000K Lumens	49,237	56,272
	BUG Rating	B5-U0-G4	B5-U0-G5
	Lumens per Watt	117	115
5WQ	4000K Lumens	50,057	57,208
	BUG Rating	B5-U0-G5	B5-U0-G5
	Lumens per Watt	118	117
RW	4000K Lumens	50,247	57,425
	BUG Rating	B5-U0-G4	B5-U0-G4
	Lumens per Watt	119	118

Current "D" (1200 mA)

Number of Light Squares		7	8
Nominal Power (Watts)		423	488
Optics			
11	4000K Lumens	20,339	22,865
	BUG Rating	B5-U0-G0	B5-U0-G0
	Lumens per Watt	48.1	46.8
22	4000K Lumens	36,015	40,488
	BUG Rating	B5-U0-G1	B5-U0-G1
	Lumens per Watt	85	83
33	4000K Lumens	35,880	40,337
	BUG Rating	B5-U0-G1	B5-U0-G1
	Lumens per Watt	85	83
44	4000K Lumens	36,235	40,735
	BUG Rating	B5-U0-G1	B5-U0-G1
	Lumens per Watt	86	83
55	4000K Lumens	34,871	39,202
	BUG Rating	B5-U0-G1	B5-U0-G1
	Lumens per Watt	83	80
66	4000K Lumens	36,570	41,112
	BUG Rating	B5-U0-G1	B5-U0-G1
	Lumens per Watt	87	84

Job Name : SECHELT AQUATIC CENTRE
 Manufacturer : STREETWORKS
 Model Number : IFLD-S-SA6-A-940-1-55-P-AP-CC

Type :
W20

Streetworks

IFLD Infrastructure Flood Series

Energy and Performance Data (IFLD-L)

Current "E" (1500 mA)

Number of Light Squares		7
Nominal Power (Watts)		533
Optics		
T2	4000K Lumens	56,380
	BUG Rating	B4-U0-G5
	Lumens per Watt	106
T2R	4000K Lumens	56,768
	BUG Rating	B4-U0-G5
	Lumens per Watt	107
T3	4000K Lumens	57,497
	BUG Rating	B4-U0-G5
	Lumens per Watt	108
T3R	4000K Lumens	55,449
	BUG Rating	B4-U0-G5
	Lumens per Watt	104
T4FT	4000K Lumens	57,832
	BUG Rating	B4-U0-G5
	Lumens per Watt	109
T4W	4000K Lumens	57,057
	BUG Rating	B4-U0-G5
	Lumens per Watt	107
SL2	4000K Lumens	56,282
	BUG Rating	B4-U0-G5
	Lumens per Watt	106
SL3	4000K Lumens	55,704
	BUG Rating	B4-U0-G5
	Lumens per Watt	105
SL4	4000K Lumens	54,605
	BUG Rating	B3-U0-G5
	Lumens per Watt	103
5NQ	4000K Lumens	56,300
	BUG Rating	B5-U0-G4
	Lumens per Watt	106
5MQ	4000K Lumens	56,982
	BUG Rating	B5-U0-G5
	Lumens per Watt	107
5WQ	4000K Lumens	57,930
	BUG Rating	B5-U0-G5
	Lumens per Watt	109
RW	4000K Lumens	58,150
	BUG Rating	B5-U0-G4
	Lumens per Watt	109

Current "E" (1500 mA)

Number of Light Squares		7
Nominal Power (Watts)		533
Optics		
11	4000K Lumens	23,538
	BUG Rating	B5-U0-G0
	Lumens per Watt	44.2
22	4000K Lumens	41,680
	BUG Rating	B5-U0-G1
	Lumens per Watt	78
33	4000K Lumens	41,523
	BUG Rating	B5-U0-G1
	Lumens per Watt	78
44	4000K Lumens	41,934
	BUG Rating	B5-U0-G1
	Lumens per Watt	79
55	4000K Lumens	40,355
	BUG Rating	B5-U0-G1
	Lumens per Watt	76
66	4000K Lumens	42,322
	BUG Rating	B5-U0-G1
	Lumens per Watt	79

Job Name : SECHELT AQUATIC CENTRE
Manufacturer : METALUX
Model Number : 22CZ2-50VHE-UNV-L92765-CD1-WLS-U

Type :
B

Project		Catalog #		Type	
Prepared by		Notes		Date	



Metalux

Cruze ST 22CZ2

2' x 2' LED Specification Grade Troffer

Typical Applications

Office • Education • Healthcare • Hospitality • Retail

Interactive Menu

- Order Information [page 2](#)
- Photometric Data [page 3](#)
- Control Solutions [page 5](#)
- VividTune™ Color Tuning Solutions [page 6](#)
- BioUp - Melanopic Lighting [page 7](#)
- Product Warranty

Product Certification



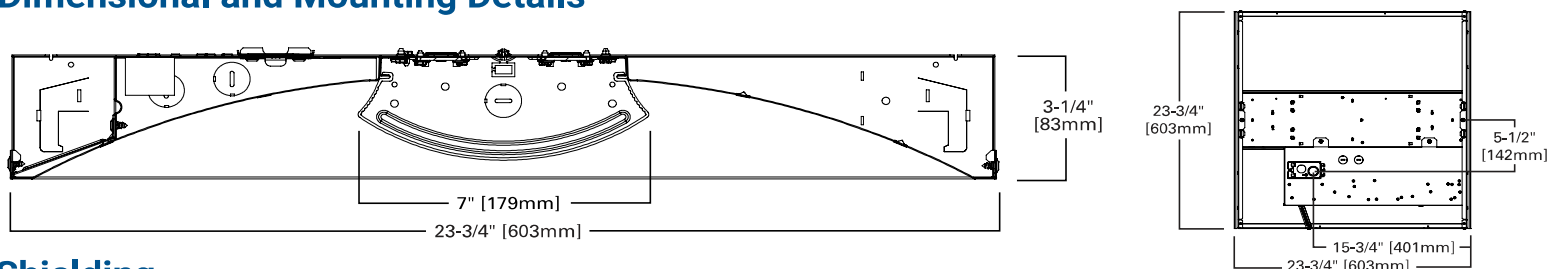
Product Features



Top Product Features

- Latch-less design provides clean architectural look
- BioUp melanopic lighting options for 30% circadian boost and earn WELL Building Standard points
- VividTune CCT tuning options from 3000K-5000K or 2700K-6500K
- Designers delight - ribbed, smooth and round perforated lens options
- High performance efficacy up to 151 lm/W
- Integrated sensor systems - occupancy, daylight and IoT connectivity
- Options to meet Build America, Buy America, Buy American and other domestic preference requirements

Dimensional and Mounting Details



Shielding

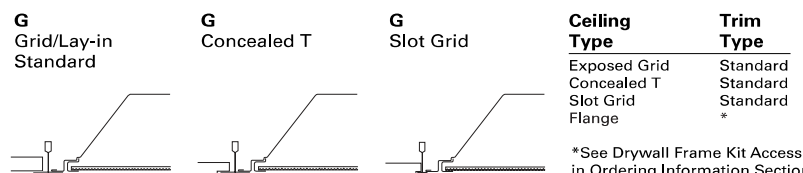


See ordering information for more shielding options.



SQR - Square Ribbed Frosted Acrylic Lens

Ceiling Compatibility



Job Name : SECHELT AQUATIC CENTRE

Manufacturer : METALUX

Model Number : 22CZ2-50VHE-UNV-L92765-CD1-WLS-U

Type :

B

Metalux

22CZ2 LED

Order Information

SAMPLE ORDER NUMBER: 22CZ2-34HE-UNV-L835-CD1-U

Domestic Preferences ⁽¹⁾	Rating	Series	Air	Lumen Level / Efficacy Option
[Blank]=Standard BAA=Buy American Act TAA=Trade Agreements Act BABA=Build America Buy America Act	[Blank]=Standard ATW-SW4= Chicago Rated	22CZ2=2x2 Cruze ST	[Blank]=Standard A=Air (Vented) ⁽²⁾	Standard [Blank] 20=2000 Lumens ⁽⁴⁾ 24=2400 Lumens ⁽⁴⁾ 32=3200 Lumens ⁽³⁾ 39=3900 Lumens ⁽³⁾ 44=4400 Lumens ⁽³⁾ High Efficacy [HE] ^{(4),(5)} 20HE=2000 Lumens 24HE=2400 Lumens 29HE=2900 Lumens 34HE=3400 Lumens 39HE=3900 Lumens 44HE=4400 Lumens Very High Efficacy [VHE] 20VHE=2000 Lumens 24VHE=2400 Lumens 29VHE=2900 Lumens 34VHE=3400 Lumens 39VHE=3900 Lumens 44VHE=4400 Lumens 50VHE=5000 Lumens 55VHE=5500 Lumens 60VHE=6000 Lumens ⁽⁶⁾ 65VHE=6500 Lumens ⁽⁶⁾ 70VHE=7000 Lumens ^{(3),(6)} 75VHE=7500 Lumens ^{(3),(6)} 80VHE=8000 Lumens ^{(3),(6)} 85VHE=8500 Lumens ^{(3),(6)} 90VHE=9000 Lumens ^{(3),(6)} 95VHE=9500 Lumens ^{(3),(6)} 100VHE=10000 Lumens ^{(3),(6)} 110VHE=11000 Lumens ^{(3),(6)}
Notes (1) Only product configurations with these prefixes are built to be compliant with the Buy American Act of 1933 (BAA), Trade Agreements Act of 1979 (TAA), or the Build America Buy America Act (BABA). BABA is the minimum Government compliance requirement for the Build America Buy America standards which is part of the Infrastructure and Investment Jobs Act (IIJA). Individual Government Agencies may have more stringent compliance standards. Please refer to DOMESTIC.PREFERENCES website or consult the CLS Domestic Preferences team for more information. Components shipped separately may be separately analyzed under domestic preference requirements.			Notes (2) Air version is intended for air return through plenum. See air return data table for air flow volumes. Air option not available with ATW-SW4. Air requires "PAF" option.	Notes (3) VividTune white tuning and BioUp static and dynamic options are not available with these lumen/efficacy selections. (4) BioUp lumen option. (5) VividTune lumen option. (6) Available with CD and HCD drivers only.

Shielding	Voltage ⁽⁵⁾	Options	Emergency Options
[Blank]=Ribbed Frosted Acrylic Lens (standard) S=Smooth Frosted Acrylic Lens HRP=High-Efficiency Round Perf Inlay SQR=Square Ribbed Frosted Acrylic Lens	UNV=Universal Voltage 120-277 347V=347 Volt	GL=Single Element Fuse GM=Double Element Fuse PAF=Painted After Fabrication	[Blank]=No emergency EL7W=7-watt 120V-277V emergency battery pack ⁽⁶⁾ EL10W=10-watt 120V-277V emergency battery pack ⁽⁶⁾ EL14W=14-watt 120V-277V emergency battery pack ⁽⁶⁾ EL10WSD=10W emergency battery pack with self-diagnostic installed ^{(6),(8)} EL14WSD=14W emergency battery pack with self-diagnostic installed ^{(6),(8)} ETRD=Emergency Transfer Relay with dimming control ⁽⁷⁾ RRU=LVS Controls Emergency Transfer Relay with dimming control ⁽⁷⁾ UEL7W=UL924 Listed luminaire, 7-watt, 120V-277V emergency battery pack ^{(6),(10)} UEL14W=UL924 Listed luminaire, 14-watt 120V-277V emergency battery pack ^{(6),(10)} UEL10WSD=Bodine 10W emergency battery pack with self diagnostic installed ^{(6),(9),(10)} UETRD=UL924 Listed luminaire, Emergency Transfer Relay with dimming control ^{(7),(10)} URRU=UL924 Listed luminaire, LVS Controls Emergency Transfer Relay with dimming control ^{(7),(10)} WNPS=WaveLinX wireless Normal Power Sensing (NPS) capable device ⁽²³⁾
	Notes (5) Products also available in non-US voltages and frequencies for international markets.		Notes (6) Factory installed with integral test switch/indicator/laser test. For approximate delivered lumens multiply the lumens per watt of the desired fixture by the wattage of the emergency battery pack (100 lm/W x 7=700 lumens). IES-format photometry for luminaire under emergency operation available. Battery option increases total height by 1 inch. (7) Used to bypass local control during outage. Must be used in conjunction with UL 1008 device (provided by others). Devices are universal voltage (UNV). 347 not available. (8) EL10WSD and EL14WSD not available with 347V. (9) UEL10WSD not available with 347V. (10) Cannot be used with BioUp options. (23) Must be ordered with WLS or WPS sensor. WNPS cannot be ordered with emergency or relay options such as ETRD, GTR2, ELxxx or GTDU.

CRI/CCT	Flex
L830=80CRI, 3000K L835=80CRI, 3500K L840=80CRI, 4000K L850=80CRI, 5000K L930=90CRI, 3000K L935=90CRI, 3500K L940=90CRI, 4000K L950=90CRI, 5000K L83050=80CRI 3000K-5000K White Tuning ⁽¹²⁾ L93050=90CRI 3000K-5000K White Tuning ⁽¹²⁾ L82765=80CRI 2700K-6500K White Tuning ⁽¹²⁾ L92765=90CRI 2700K-6500K White Tuning ⁽¹²⁾ B35=BioUp Static 3500K ⁽¹³⁾ B40=BioUp Static 4000K ⁽¹³⁾ B50=BioUp Static 5000K ⁽¹³⁾ B2750=BioUp Tunable 2700K-5000K ⁽¹⁴⁾	[Blank]=No Flex A3/8-4/18GDIM=3/8" Flex with 0-10V Dimming Leads A3/8-2/18G=3/8" Flex with line and common A3/8-5/18GDIM=Flex with 0-10V Dimming leads and Blue for alternate wiring. See below for details.
Notes (12) VividTune provides correlated color temperatures (CCT) between 3000K (warm) to 5000K (cool) or 2700K (warm) to 6500K (cool). Must be used in conjunction with W2A driver only. Must be used with two (2) 10V dimming control channels, 1 cct, 1 intensity. May be combined with Wavelinx sensor control systems. (13) BioUp Static to be used with HCD driver. (14) BioUp Tunable provides correlated color temperatures (CCT) between 2700K (warm) to 5000K (cool). Must be used with W2A (for two channel 0-10V Control) or W2D (for 2 channel Dali Control) driver. See BioUp page for more information.	Flexible Metal Conduit Options Flex options available for 0-10V dimming control, DALI dimming control, emergency and night light functions. 72-inch factory-installed and pre-wired to driver, fitted to luminaire housing access plate with 90° enclosed FMC connector. Not all options may be combined and installation ratings vary by type. See online configurator for all flex options. A3/8-4/18GDIM series notes: Factory installed dimming option 3/8" flexible metal conduit with 2-#18 power and ground wires and 2-#18 UL-listed jacketed 0-10V +/- control wires. Meets UL 66, 83, 1479, 1569, 1581, 2556. NEC® 250.118, 300.22(C), 392, 396, 330, 501, 502, 503, 530, 504, 505, 518, 520, 530, 645, 72; Federal Specification A-A-59544 (formerly J-C-30B); all applicable OSHA and HUD Requirements. UL Classified 1-, 2-, and 3-hour through penetration with applicable fire stop product (not included). May be surface mounted, fished and/or embedded in plaster. Cable tray and approved raceway rated, install per NEC®; Environmental Air-Handling Space Installation per NEC® 300.22(C).

continued next page



Job Name : SECHELT AQUATIC CENTRE

Manufacturer : METALUX

Model Number : 22CZ2-50VHE-UNV-L92765-CD1-WLS-U

Type :

B

Metalux

22CZ2 LED

Order Information

CONTINUED

Driver Type	No. of Drivers	Integrated Sensing Systems ⁽¹⁷⁾	Packaging	Accessories (order separately) ⁽²¹⁾
CD=0-10V Driver (10%-100% Dimming) ⁽²²⁾ CDW=NonProgrammable Driver, Limited Lumen Packages, 0-10V Dimming (10%-100%) HCD=0-10V Driver (1%-100% Dimming) ⁽²²⁾ 5LTD=DALI Driver (5%-100% Dimming) 5LTHD=DALI Driver (1%-100% Dimming) SD=Step Dimming Driver (50%-100% Dimming) LH=Lutron HiLume 1% EcoSystems (LDE1) ^(F) W2A=White Tuning, 2 ch, Analog 0-10V (1%-100% Dimming) ^{(15), (22)} W2D=White Tuning, DALI Type 8 (1%-100% Dimming) ⁽¹⁶⁾	1=1 Driver	[Blank]=No Sensor WLS (formerly WAB)=WaveLinX LITE Wireless Sensor, Occupancy w/ photocell, Independent & Networked ^{(19), (B)} WPS (formerly WAA)=WaveLinX PRO Wireless Sensor, Occupancy w/ photocell, Networked ^{(18), (A)} WLN=WaveLinX LITE Wireless Control Node, without sensor ^{(19), (B)} WPN=WaveLinX PRO Wireless Control Node, without sensor ^{(18), (A)}	U=Unit Pack PAL=Job Pack, out of carton PALC=Job Pack, in carton	CZ2-EQCLIP-U PK="CZ2" Earthquake Clip Kit (4 clips per bag kit) ⁽²⁰⁾ DF-22W-U=2' x 2' Drywall Frame Kit SMK-22-W=4' Tall Surface Mount Kit, 2' x 2'
<p>Notes</p> <p>(15) W2A used with two (2) 10V dimming control channels - CCT and intensity. (16) W2D for use with BioUp options only. White tuning CCT between 2700K and 5000K. Must be used with DALI controls; one address to control two channels - intensity and CCT. May not be used with sensing systems. For Emergency options ONLY EL10WSD can be used. (22) When selecting 0-10V driver with Integrated Sensing System a 0-10V driver might be substituted with another type.</p> <p>Integrated options must be used in conjunction with the associated system and may not be compatible with other options or accessories. Please refer to the following: (F) Consult Marketplace Options - Lutron system pages for additional details and compatibility. Compatible only with driver series shown, and may require two or more drivers. Requires field commissioning to operate or dim. Contact Lutron at www.lutron.com.</p>		<p>Notes</p> <p>(17) Matching width lens band on other side of sensor band may be supplied for symmetrical appearance. Required for use with sensor and emergency combination. Add "D" to sensor ordering as shown - WPSD, WLS-D. (18) WPS sensor and WPN node to be used with CD, HCD or W2A driver. (19) WLS sensor and WLN node to be used with CD or HCD driver.</p> <p>Integrated options must be used in conjunction with the associated system and may not be compatible with other options or accessories. Please refer to the following: (A) Consult WaveLinX PRO system pages for additional details and compatibility. (B) Consult WaveLinX LITE system pages for additional details and compatibility.</p>		<p>Notes</p> <p>(20) An EQ Grid Clip is recommended for all 9/16" ceiling systems. Four required per fixture. (21) Accessories sold separately will be separately analyzed under domestic preference requirements. Consult factory for further information.</p>

Job Name : SEHEL T AQUATIC CENTRE

Manufacturer : METALUX

Model Number : 22CZ2-50VHE-UNV-L92765-CD1-WLS-U

Type :

B

Metalux

22CZ2 LED

Product Specifications

Construction

- Die formed of code gauge prime cold rolled steel with full length die-formed stiffeners
- Unibody endplates attached with interlocking tabs and screws
- Hemmed side flanges
- Four auxiliary fixture end suspension points
- Integral Grid-lock feature for endplates for added safety
- Optional earthquake clips available

Integrated Controls

- Standard with 0-10V dimming driver (10% standard, 1% optional)
- Integrated WaveLinx options provide wireless individual fixture control and enable code compliance, increased energy savings, grouping of fixtures, and connection to WaveLinx control systems
- DALI 2.0, Lutron, and step-dimming available

LED and Light Engine

- LED's available in 3000K, 3500K, 4000K, or 5000K at 80 CRI minimum and 90 CRI minimum
- Color accuracy \leq 3-Step MacAdam ellipse (SDCM)
- TM21 life at 60,000 hours up to L90 and calculated L70 exceeds 203,000 hrs.
- Drivers available in 120-277V and 347V
- Tunable white options available with Cooper Lighting Solutions' VividTune
- BioUp melanopic lighting options available in static or tunable white

Emergency Options

- 120V-277V integral emergency battery pack comes in 7-watts, 10-watt, or 14-watts
- Self-diagnostic emergency battery available in 10 or 14-watts (NFPA 101@ Life Safety Code@)
- Constant power to the LED system for controlled, predictable discharge
- Integrated test switch/indicator light visible from floor
- Min. 90-minute backup period for code compliance
- Integral emergency transfer relay available for generator equipped power systems
- WNPS enables Normal Power Sensing (NPS) functionality, allowing detection of normal power availability as part of a WaveLinx EM solution
- NPS must be ordered with WaveLinx LITE or PRO sensor to enable wireless sensing EM solution
- Order standard product with compatible emergency control device (ESP-P) when pairing NPS enabled luminaires in any space
- NPS luminaires meet requirements

Shielding

- Ribbed acrylic frosted lens standard
- Optional smooth acrylic frosted lens (S)
- Optional square ribbed frosted acrylic lens (SQR)
- Optional High-Efficiency Round Perf Inlay (HRP)
- Replacement lenses available, contact factory
- Lens is acrylic with features on the face and sides to optimize the direct and indirect lighting contributions for improved glare and efficacy

Compliance

- IC rated for insulation contact
- cULus listed for damp locations
- RoHS compliant
- Tested to IESNA LM-79 and LM-80
- Stated life tested to TM21 standards
- Can be used for State of California Title 24 high efficacy luminaire

BABA Domestic Preference Compliance

- This Cooper product is manufactured in the US and meets the BABA cost of components rule. To verify a configured product with specific accessories and options meets BABA Domestic Preference Requirements; submit this catalog number to Cooper Lighting Quotation team for validation by our Engineering and Manufacturing teams. Our BABA designation is based on the minimum compliance requirement for BABA. Individual Government Agencies may have more stringent compliance standards. Please refer to the [DOMESTIC PREFERENCES](#) website or consult the CLS Domestic Preferences team for more information. Components shipped separately may be separately analyzed under domestic preference requirements.

Warranty

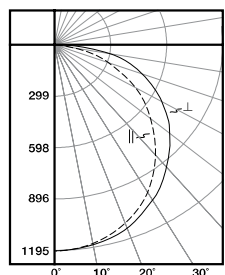
- Five-year limited warranty standard. Optional ten year limited warranty available.

Finish

- Multistage, iron phosphate pretreatment
- 90% reflective, matte white enamel finish
- Full fixture housing pre-painted matte white (choose PAF option for "Paint after Fabrication")

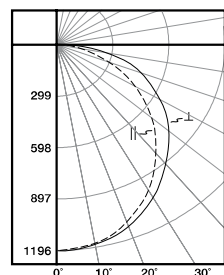
Photometric Data

[View IES files](#)



22CZ2-24-UNV-L830-CD1-U

Dimming Driver
 Linear LED 3000K
 Spacing criterion: (II) 1.2 x mounting height, (⊥) 1.28 x mounting height
 Lumens: 2437
 Input Watts: 21.9W
 Efficacy: 111.3 LPW
 Test Report: 22CZ2-24-UNV-L830-CD1-U.IES



22CZ2-24HE-UNV-L830-CD1-U

Dimming Driver
 Linear LED 3000K
 Spacing criterion: (II) 1.19 x mounting height, (⊥) 1.27 x mounting height
 Lumens: 2402
 Input Watts: 19.2W
 Efficacy: 125.1 LPW
 Test Report: 14CZ2-29-UNV-L830-CD1-U.IES

Job Name : SEHEL T AQUATIC CENTRE
Manufacturer : METALUX
Model Number : 22CZ2-50VHE-UNV-L92765-CD1-WLS-U

Type :
B

Metalux

22CZ2 LED

Energy and Performance Data

Standard Efficacy Versions – Single Row of LEDs
Default CCT/Lumen Setting: 3500K/Med

Catalog Number	Lumens	Watts	lm/W
22CZ2-20-UNV-L835-CD1-U	2142	16.2	132
22CZ2-24-UNV-L835-CD1-U	2454	18.5	133
22CZ2-32-UNV-L835-CD1-U	3272	24.2	135
22CZ2-39-UNV-L835-CD1-U	3953	31	128
22CZ2-44-UNV-L835-CD1-U	4462	33	134

High Efficacy Versions – Two Rows of LEDs

Catalog Number	Lumens	Watts	lm/W
22CZ2-20HE-UNV-L835-CD1-U	2030	15.0	135
22CZ2-24HE-UNV-L835-CD1-U	2474	18.1	137
22CZ2-29HE-UNV-L835-CD1-U	2982	20.9	143
22CZ2-34HE-UNV-L835-CD1-U	3426	24.3	141
22CZ2-39HE-UNV-L835-CD1-U	3997	28.5	140
22CZ2-44HE-UNV-L835-CD1-U	4567	32.8	139

Very High Efficacy Versions – Three Rows of LEDs

Catalog Number	Lumens	Watts	lm/W
22CZ2-20VHE-UNV-L835-CD1-U	2008	14.2	141
22CZ2-24VHE-UNV-L835-CD1-U	2501	17.5	143
22CZ2-29VHE-UNV-L835-CD1-U	3114	21.7	144
22CZ2-34VHE-UNV-L835-CD1-U	3598	25.1	143
22CZ2-39VHE-UNV-L835-CD1-U	4078	28.6	143
22CZ2-44VHE-UNV-L835-CD1-U	4620	32.6	142
22CZ2-50VHE-UNV-L835-CD1-U	5095	36.2	141
22CZ2-55VHE-UNV-L835-CD1-U	5530	39.4	140
22CZ2-60VHE-UNV-L835-CD1-U	6110	44.1	139
22CZ2-65VHE-UNV-L835-CD1-U	6559	47.9	137
22CZ2-70VHE-UNV-L835-CD1-U	7017	50.3	140
22CZ2-75VHE-UNV-L835-CD1-U	7557	54.7	138
22CZ2-80VHE-UNV-L835-CD1-U	8092	59.1	137
22CZ2-85VHE-UNV-L835-CD1-U	8615	63.6	136
22CZ2-90VHE-UNV-L835-CD1-U	9125	68.2	134
22CZ2-95VHE-UNV-L835-CD1-U	9610	72.7	132
22CZ2-100VHE-UNV-L835-CD1-U	10108	77.7	130
22CZ2-110VHE-UNV-L835-CD1-U	11065	87.7	126

Shielding

Lumen Adjustment Factors		
S	HRP	SQR
1.05	0.80	0.96

Lumen Calculator

CCT Multiplier	80 CRI	90 CRI ⁽¹⁾	BioUp Static
3000K	0.965	0.827	-
3500K	1.000	0.847	0.912
4000K	1.019	0.856	0.899
5000K	1.019	0.909	0.879

Notes: (1) Input wattages for 90 CRI versions may vary. Refer to published IES-format photometry or LM-79 reports for more details.

Example of Lumen Adjustment Calculation

22CZ2-32-UNV-L935-CD1-U at 90CRI at 3500K

Lumen Adjustment Factor = 0.845

Total Light Output =

$3,280 \text{ lm} \times 0.845 = 2,772 \text{ lm}$

Efficacy = $\frac{2,772 \text{ lm}}{26.7 \text{ W}} = 103.8 \text{ lm/W}$

Lumen Maintenance

Version	TM-21 Lumen Maintenance (60,000 hours) ⁽²⁾	Theoretical L70 (Hours) ⁽³⁾
Standard	> 85%	> 151,000
High Efficiency	> 90%	> 203,000
Very High Efficiency	> 90%	> 203,000

Notes: (2) Supported by IES TM-21 standards. (3) Theoretical values represent estimations commonly used; however, refer to the IES position on LED Product Lifetime Prediction, IES PS-10-18, that explains proper use of IES TM-21 and LM-80.

Load Data (Stock Product)

Thd	6%
Power Factor	0.99
Weight (lbs.)	10.6
Low Temp. Start	-20°C

Shipping Data

Catalog No.	Wt.	Pallet 49" L x 52" W x 55" H
2' x 2'	12.5 lbs.	48

Air Return Volume

Negative Static Pressure (Inches H ₂ O)	Return Air Volume (CFM)
0.05	79
0.1	112
0.2	161
0.25	177
0.3	198
0.45	239

Job Name : SECHELT AQUATIC CENTRE

Manufacturer : METALUX

Model Number : 22CZ2-50VHE-UNV-L92765-CD1-WLS-U

Type :

B

Metalux

22CZ2 LED

Control Solutions

- WaveLinx LITE wireless
- WaveLinx PRO wireless
- WaveLinx CAT wired
- WaveLinx Wired



The Cruze ST with WaveLinx offers no-hassle lighting control with multiple luminaire level control solutions.



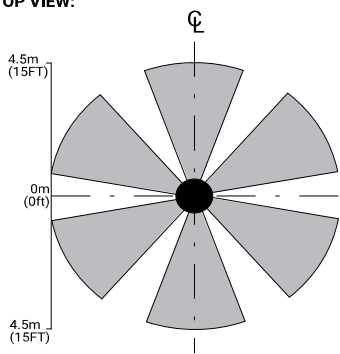
WaveLinx PRO is a wireless lighting control solution, for connected spaces, that significantly reduces a building's energy consumption. From a single floor to an entire campus, WaveLinx PRO connects more than lighting assets; it shares aggregated sensor data with the WaveLinx CORE platform and other building systems, so building owners can improve operations, spaces environment, and tenants' experience. WaveLinx PRO offers a rich portfolio of wireless devices, WaveLinx PRO-enabled luminaires, and an intuitive WaveLinx mobile app for office, education, warehouse, and parking garage applications.



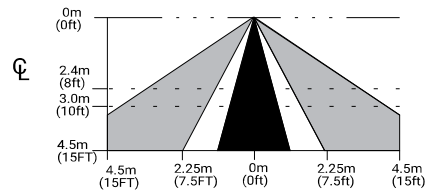
WaveLinx LITE is a cost effective, wireless digital lighting control solution, with out-of-the-box functionality, that saves energy and meets code. It's designed for applications that require occupancy-based, daylighting, or manual light control. Customize installations for office, education, warehouse and parking garages using the secure, simple mobile app.

Integrated Sensor Coverage Pattern

TOP VIEW:

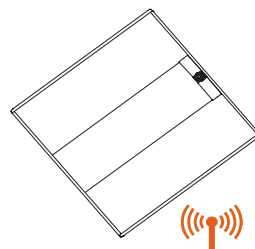


SIDE VIEW:

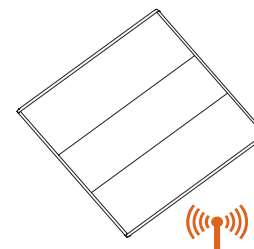


Note: Installation of integrated sensors within 3-ft (1m) of HVAC air vents is not recommended. The pattern shown is intended solely as a general guide and is not to scale.

With Integrated WaveLinx Sensor



With Integrated WaveLinx Node



Add a hidden WaveLinx sensor node (WPN, WLN) to your space lighting design!

Allows to:

- Keeps luminaire aesthetics
- Connect fixtures without the realstate to include sensor option such as downlights
- Connect sealed fixtures without a standard sensor option such as products for clinical space.

Integrated Controls Options

Option	Out of the Box Functionality	Luminaire Level Lighting Control (LLLC)	Automatic Dimming Photocell	Occupancy Sensing	CCT Control*
WLS	X	X	X	X	
WLN		X			
WPS		X	X	X	X
WPN		X			X

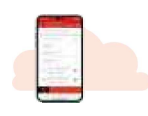
Note: *WaveLinx utilizes scenes to allow users to change an area's fixtures Correlated Color Temperature (CCT) and intensity using a commissioned wireless wallstation scene controller. To enable CCT adjustments through WaveLinx, include WPS or WPN devices in addition to VividTune or BioUp technologies for integrated fixture control. WPS with CCT controls the intensity of the fixture; an additional, externally mounted control device is needed to control the CCT. See [RSP-P-010-347](#). The WPN option is available with WLS or WPS sensors. Must be specified when ordered. Also note that WLS and WPS are also compatible with ESP-L-010-347 and ESP-P-010-347, respectively. Learn more about WaveLinx EM [here](#).

Systems comparison chart

Cooper Lighting Solutions provides many lighting system solutions designed to satisfy code requirements and meet the unique needs of any project.



Luminaire with standalone sensor



Standalone Spaces WaveLinx LITE



Standalone Spaces WaveLinx CAT



Networked Spaces WaveLinx PRO



Enterprise WaveLinx CORE

	Luminaire with standalone sensor	Standalone Spaces WaveLinx LITE	Standalone Spaces WaveLinx CAT	Networked Spaces WaveLinx PRO	Enterprise WaveLinx CORE
Occupancy	Yes	Yes	Yes	Yes	Yes
Daylighting	Yes	Yes	Yes	Yes	Yes
Wallstations	-	Yes	Yes	Yes	Yes
Gateways	-	-	-	1 WAC	300 WACs
Devices (MAX)	-	40 per Area (1120 per space)	40 per Area	200 per WAC2	32,500 per CORE Enterprise
Software	-	WaveLinx LITE Mobile App	WaveLinx CAT Mobile App	WaveLinx Mobile App	CORE
Areas	-	28 per Space	Unlimited	50 per WAC2	up to 3,000
Zones	-	16 per Area	16 per Area	16 per Area	up to 9,000
Scheduling	-	-	-	Local	Global
VividTune™	-	-	-	Yes	Yes
Plug-Load Control	-	Yes	Yes	Yes	Yes
Low-Voltage Power	-	-	Yes	Yes	Yes
Integration	-	-	-	-	BACnet, API
Dashboards	-	-	-	-	Energy, Occupancy
Configuration	-	Installer	Installer	Technician	Technician / IT



Job Name : SECHELT AQUATIC CENTRE

Manufacturer : METALUX

Model Number : 22CZ2-50VHE-UNV-L92765-CD1-WLS-U

Type :

B

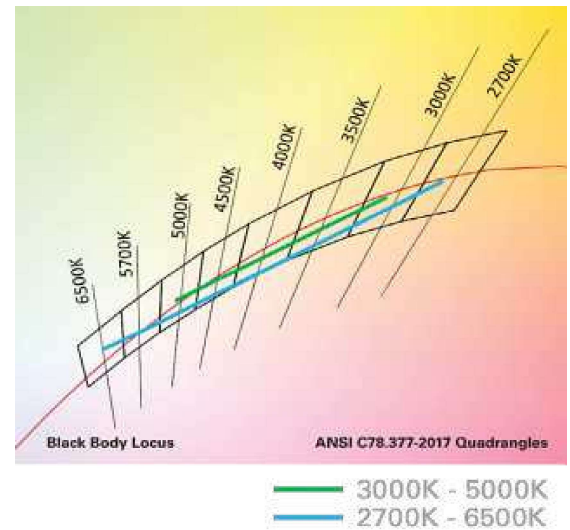
Metalux

22CZ2 LED



22 Cruze ST LED with VividTune Tunable White

VividTune tunable white luminaires from Cooper Lighting Solutions deliver high-quality light in a broad range of continuously variable color temperatures and intensities. Create a dynamic environment by adjusting the ambient light warmer or cooler to influence mood, support the task at hand, or create a dramatic ambience. The ability to control correlated color temperature and intensity separately using simple controls is the next evolution of LED lighting for the commercial, educational, healthcare and hospitality space. The unparalleled flexibility and number of available lighting environments enable users to find the right light with tunable white.



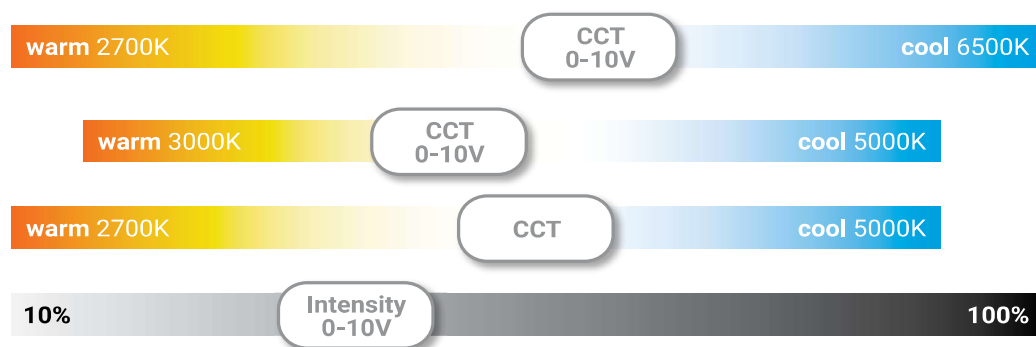
Energy and Performance Data

Tunable White - Lumen Adjustment Factors						
CCT	VividTune 3000K-5000K		VividTune 2700K-6500K		BioUp Tunable White 2700K-5000K	
	80 CRI	90 CRI	80 CRI	90 CRI	CRI	Lumen Adjustment
2700K	-	-	0.903	0.771	95	0.938
3000K	0.929	0.765	0.928	0.801	94	0.929
3500K	0.983	0.836	0.961	0.842	90	0.912
4000K	1.033	0.903	0.981	0.868	87	0.899
4500K	1.042	0.918	0.999	0.891	85	0.890
5000K	1.042	0.918	1.013	0.909	84	0.879
6500K	-	-	1.028	0.933	-	-

2' x 2' Cruze ST LED - Example of Approximate Lumen Calculation				
	Standard Catalog #	VividTune 80 CRI Catalog #	VividTune 90 CRI Catalog #	BioUp Tunable White
CCT Setting	22CZ2-34HE-UNV-L835-CD1-U	22CZ2-34HE-UNV-L83050-W2A1-U	22CZ2-34HE-UNV-L93050-W2A1-U	22CZ2-34HE-UNV-B2750-W2A1-U
2700K	-	3058	2611	3176
3000K	-	3026	2491	3146
3500K	3386	3202	2722	3088
4000K	-	3362	2940	3044
4500K	-	3394	2991	3014
5000K	-	3394	2991	2976
6500K	-	3481	3159	-

Controlling VividTune and BioUp Tunable White

From wall dimmers to wireless controls, tunable white luminaires are compatible with industry standard 0-10V and DALI controls. One channel to control intensity (brightness) and a second channel to adjust CCT.



Example of Lumen Adjustment Calculation

22CZ2-34HE-UNV-L83050-W2A1-U at 80 CRI tuned to 3500K

Adjusted Lumen = published lm x adjusted lm factor

Adjusted Lumen = 3386 x 0.946

Adjusted Lumen = 3202 lm

* Lumen adjustment factors are for reference and may be different for each product selected. Refer to IES files for actual performance data on each.



Job Name : SECHELT AQUATIC CENTRE
 Manufacturer : METALUX
 Model Number : 22CZ2-50VHE-UNV-L92765-CD1-WLS-U

Type :
B

Metalux

22CZ2 LED

Proven Research. Industry Recognized.

BioUp
 Melanopic Lighting



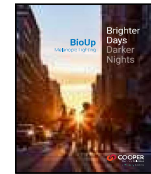
See better



Feel better



Function better



See [BioUp brochure](#) for more details

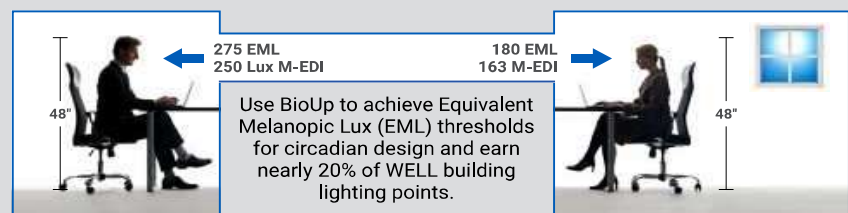


ANSI/IES RP-46-23 / TM18 published March 2024 based on over 40 years of research.

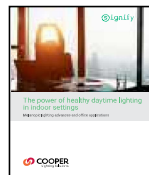
"...circadian clock synchronization is paramount to the body's efficient and appropriate functioning." – TM18



BioUp solutions maximize WELL points for Circadian Lighting Design (L03):



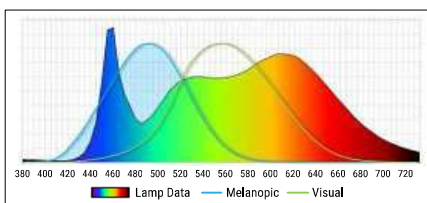
MDER, M-EDI and EML are key metrics used to quantify non-visual performance of indoor lighting systems.



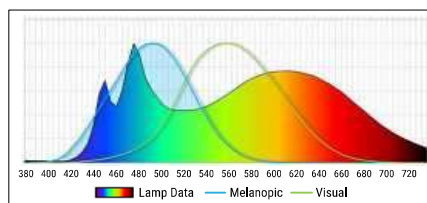
See [BioUp white paper](#) for more details

MDER - Melanopic Daylight Efficacy Ratio (MDER) measures the amount of light stimulating to the melanopsin receptors.

Standard 4000K LED
 MDER = .62



BioUp 4000K LED
 MDER = .82



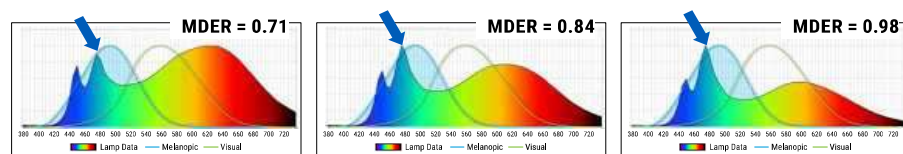
30% boost Biological impact compared to traditional LED sources

CCT	LED MDER ~83 CRI	BioUp Static		BioUp Dynamic	
		MDER	CRI	MDER	CRI
2700K	0.44	-	-	0.43	95
3000K	0.49	-	-	0.54	94
3500K	0.56	0.71	90	0.71	90
4000K	0.64	0.84	87	0.82	87
5000K	0.77	0.98	84	0.98	84

BioUp enhances the LED spectrum with cyan light at 475nm increasing the biological impact of the light to enhance our circadian rhythm which regulates our sleep/wake cycle, daytime engagement, and mood – **all without distorting visual color impression.**

Static (non-tunable)

Static BioUp is used when simple Melanopic Lighting is desired at all times.



3500K or **4000K** or **5000K**

Cyan light component always present

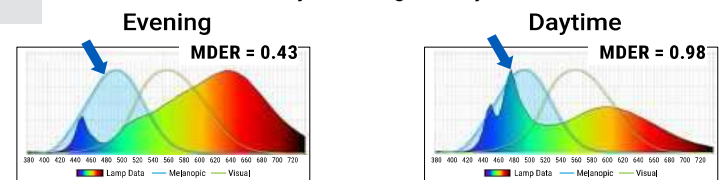


> no CCT control needed

Arrow in graph shows BioUp spectrum boost is at 475nm where non-visual biological response is enhanced.

Dynamic - (Tunable)

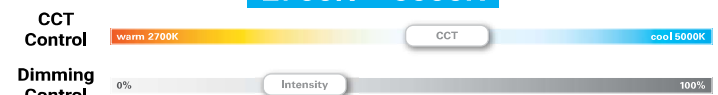
Dynamic BioUp is used when Melanopic Lighting is desired to adjust during the day.



Warmer CCT **Without** Cyan content

Cooler Light **With** Cyan content

2700K – 5000K



> Control with Wavelinx, 2ch 0-10V, or DALI



Cooper Lighting Solutions
 1121 Highway 74 South
 Peachtree City, GA 30269
 P: 770-486-4800
 www.cooperlighting.com

© 2025 Cooper Lighting Solutions
 All Rights Reserved.
 Specifications and dimensions
 subject to change without notice.

PS519305EN page 8
 December 9, 2025 3:01 PM

Prepared By: Mac's ii Design Team