

Job Name : SECHELT AQUATIC CENTRE
Manufacturer : METALUX
Model Number : 4VT3-SL3C3-XX-UNV-WLS4
Notes : SPECIFY DISTRIBUTION

Type :
F

Project		Catalog #		Type	
Prepared by		Notes		Date	



Metalux

Vaportite LED Selectable

VT3 Selectable CCT and Lumen Industrial LED Vaportite

Typical Applications

Parking Garage • Cold Storage • Canopy • Warehouse • Food Processing • Manufacturing • Complex Environments

Interactive Menu

- Order Information [page 2](#)
- Photometric Data [page 3](#)
- Product Warranty

Top Product Features

- CCT and Lumen select with up to (3) CCT and lumen choices
- Compact and durable fiberglass reinforced polyester housing
- Precision optics in general, wide, or parking garage distribution
- Impact protection rating IK07 Lens and IK07 Housing
- High Impact Polycarbonate optical lens
- Wet Location and IP67 Listed

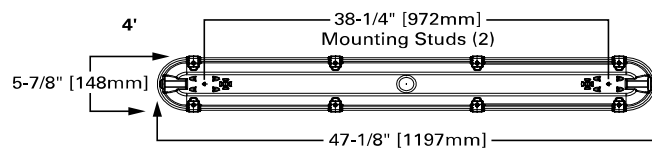
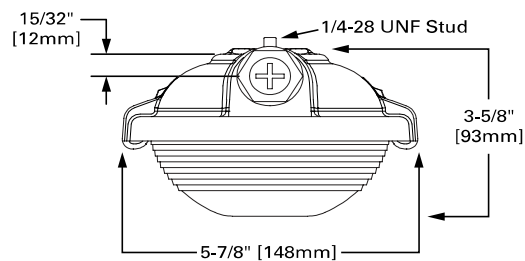
Product Certification



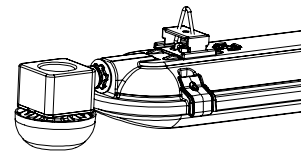
Product Features



Dimensional, Mounting Details

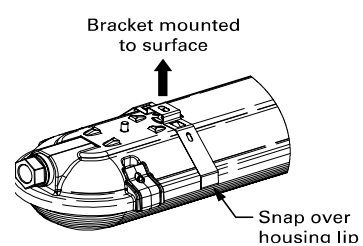


WLS2, WLS4, and WPS4 Sensors

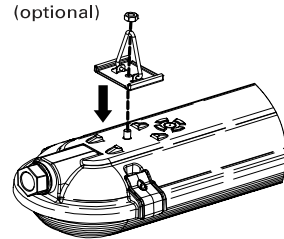


Installation Data

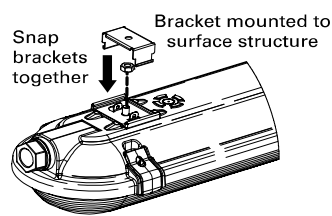
STANDARD



V-HANGER (optional)



SURFACE BRACKET (optional)



PS51915524 page 1
 December 10, 2025 4:29 PM

Prepared By: Mac's ii Design Team

Job Name : SECHELT AQUATIC CENTRE
Manufacturer : METALUX
Model Number : 4VT3-SL3C3-XX-UNV-WLS4
Notes : SPECIFY DISTRIBUTION

Type :
F

Metalux

VT3 Selectable LED

Order Information

SAMPLE ORDER NUMBER: **4VT3-SL3C3-G-UNV**

Domestic Preferences ⁽¹⁾	Series ⁽²⁾	Distribution ^{(3), (4)}	Voltage	Remote Emergency Enclosure
[Blank]=Standard BAA=Buy American Act TAA=Trade Agreements Act	4VT3-SL3C3=VT3 Selectable Selectable Lumens (See table on pg. 3 for details) 4000/5100/6400 Selectable Color 3000K/3500K/4000K	G =General Distribution W =Wide Distribution P =Parking Garage Distribution WPC =Wide Distribution, Polycarbonate PPC =Parking Distribution, Polycarbonate	UNV=Universal Voltage 120-277 Volt	EL10W =10-watt, 120-277V emergency battery pack installed ^{(6), (7)} VT-REM-EL10W =Remote mounted 10-watt, 120-277V emergency battery pack ⁽⁸⁾
Notes (1) Only product configurations with these designated prefixes are built to be compliant with the Buy American Act of 1933 (BAA) or Trade Agreements Act of 1979 (TAA), respectively. Please refer to DOMESTIC PREFERENCES website for more information. Components shipped separately may be separately analyzed under domestic preference requirements.	Notes (2) DesignLights Consortium® Qualified and classified for DLC Standard, refer to www.designlights.org for details.	Notes (3) General distribution provided with smooth frosted lens, Wide distribution provided with frosted prismatic lens, and Parking Garage distribution provided with clear prismatic lens. (4) IP69 only available in Wide or Parking Garage distributions.		Notes (6) IP ratings require fixtures be mounted horizontally. (7) EL10W option rated for max. 35°C ambient. (8) VT-REM-EL10W option rated for max. 45°C ambient.

Driver Type	Options	Packaging	Accessories (order separately) ⁽¹¹⁾
[Blank]=Standard (0-10V Driver, 10%-100%)	SSL =Stainless Steel Latches TP =Standard Latch with Tamper-proof Screws SSLTP =Stainless Steel Latches with Tamper-proof Screws MSWL20 =Wet Listed Motion Sensor 360°, Non-dimming WPS4 =WaveLinx PRO Wireless Sensor, Sidecar mount, with 1200 sq ft. coverage ⁽⁹⁾ WLS4 =WaveLinx LITE Wireless Sensor, Sidecar mount, 15' - 40' Mounting Height ^{(9), (10)} WLS2 =WaveLinx LITE, Integrated Sensor, Bluetooth Programmable, 7' - 15' Mounting ^{(9), (10)}	[Blank]=Unit Pack	VT3-SS-VBK =Stainless Steel V-Bracket (2 per kit) VT3-SS-SBK =Stainless Steel Surface Bracket (2 per kit)
	Notes (9) Not compatible with EL10W. (10) WaveLinx LITE devices are not currently compatible with the WaveLinx PRO Wireless Area Controller.		Notes (11) Accessories sold separately will be separately analyzed under domestic preference requirements. Consult factory for further information.

Product Specifications

Construction

- Rugged and durable construction
- Fiberglass housing is reinforced polyester and self-extinguishing (ASTM-D635-74) plastic
- Die formed metal chassis and electrical tray
- Watertight housing
- 1/2" conduit entry at each end of housing (standard) for continuous feed
- Polyurethane gasketing provides a continuous seamless seal for the diffuser lens
- Four sturdy cam latches clamp diffuser tightly for a positive seal between housing, gasketing and diffuser
- Stainless steel latches option
- Surface or chain mounting
- Impact protection rating IK07 Lens and IK07 Housing
- IK10 for polycarb lens with parking and wide distribution

Controls

- Integral 360° motion sensor, 1200 sq. ft. coverage
- WaveLinx Pro Wireless Sensor provides 1200 sq. ft. coverage for occupancy sensing and daylight harvesting
- WaveLinx Lite Wireless sensor suitable for low or high bay applications up to 40ft (45ft major motion).
- All fixtures with sensor come with two (2) hubs as standard

WaveLinx LITE devices are not currently compatible with the WaveLinx Pro Wireless Area Controller

Electrical

- Selectable lumen output choices of low, medium, high
- Selectable Color temperature choices in 3000K, 3500K and 4000K with a CRI >= 80
- Projected life is 60,000 hours at 89% lumen output
- Driver 120-277V with 0-10V dimming control standard
- Default CCT/Lumen setting is 4000K and Medium Power
- Operating temperature of -40°C to 55°C; Ideal for cold storage environments

Lens

- Thermoformed low profile, high impact 50% DR High acrylic lens
- Smooth frosted lens for general distribution
- Frosted prismatic lens for wide distribution
- Clear prismatic lens for parking garage distribution

Warranty

- Five-year limited warranty

Compliance

- UL/cUL listed for Wet location
- LED modules comply with IESNA LM-79 and LM-80 standards
- NEMA 4X, IP65, IP66 and IP67 rated (see installation instructions for requirements)
- IP69 rated with wide or parking garage distributions
- NSF International certified for NSF/ANSI Standard 2 – Food Equipment
- DesignLights Consortium® Qualified and classified for both DLC Standard and DLC Premium (refer to [www.designlights.org](#) for details)
- Acrylic lenses are IK07 Rated, and optional Polycarbonate lenses are IK10 Rated

Control Solutions

- WaveLinx LITE wireless
- WaveLinx PRO wireless
- WaveLinx CAT wired
- WaveLinx Wired



Job Name : SEHEL T AQUATIC CENTRE
Manufacturer : METALUX
Model Number : 4VT3-SL3C3-XX-UNV-WLS4
Notes : SPECIFY DISTRIBUTION

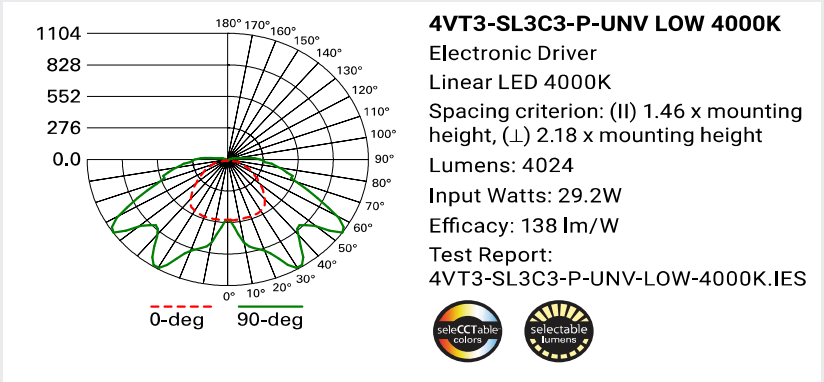
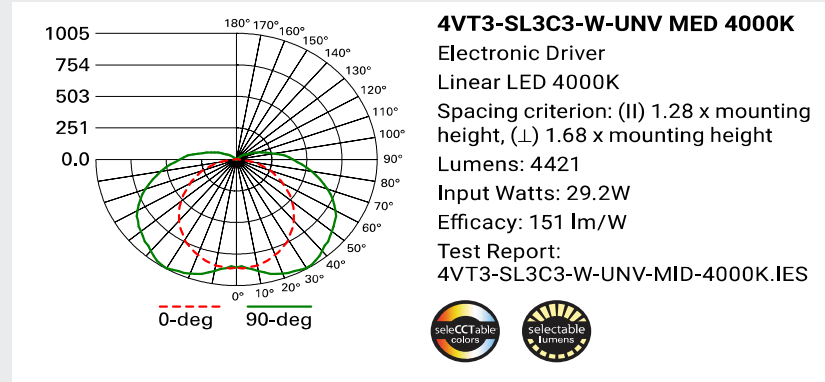
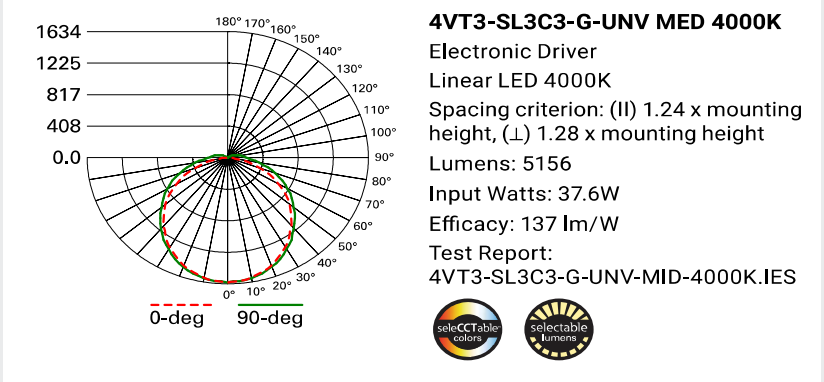
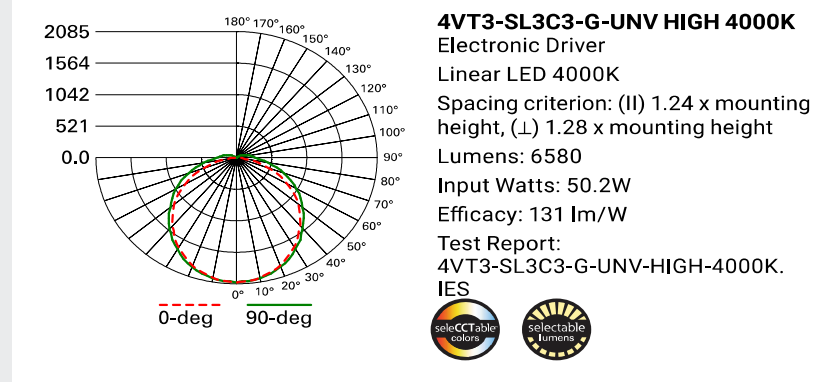
Type :
F

Metalux

VT3 Selectable LED

Photometric Data

[View IES files](#)



Energy and Performance Data by Catalog Number

Size	Catalog Number	Lumen Setting	CCT	CRI (Min)	Delivered Nominal Lumens	Watts	Efficacy (lm/W)
4FT	4VT3-SL3C3-G-UNV	Low	3000K	80	3828	29.3	131
			3500K	80	4055	28.5	142
			4000K	80	4107	29.2	141
		Medium	3000K	80	4796	37.6	128
			3500K	80	5129	36.5	141
			4000K	80	5156	37.6	137
		High	3000K	80	6126	50.1	122
			3500K	80	6622	48.3	137
			4000K	80	6580	50.2	131

Lumen Maintenance

Ambient Temperature	TM-21 Lumen Maintenance (60,000 hours)	Theoretical L70 (Hours)
25°C	> 89%	> 185,000

4ft. Lumen Package	Ambient Rating
4VT3-SL3C3	50°C

Shipping Data

Catalog No.	Wt.
4VT3-S	12 lbs.

Shielding

Lens Type	Lumen Factor
G	1.00
P, PPC	0.98
W, WPC	1.08

IK Rating

VT3S	IK Rating
Lens	IK07
Housing	IK07
PC Lens	IK10
PPC Lens	IK10



Cooper Lighting Solutions
 1121 Highway 74 South
 Peachtree City, GA 30269
 P: 770-486-4800
 www.cooperlighting.com

© 2025 Cooper Lighting Solutions
 All Rights Reserved.
 Specifications and dimensions
 subject to change without notice.

PS51915524 page 3
 December 10, 2025 4:29 PM

Prepared By: Mac's ii Design Team

Job Name : SECHELT AQUATIC CENTRE

Manufacturer : METALUX

Model Number : 4VT3-SL3C3-XX-UNV

Notes : SPECIFY DISTRIBUTION

Type :

G

Project		Catalog #		Type	
Prepared by		Notes		Date	



Metalux

Vaportite LED Selectable

VT3 Selectable CCT and Lumen Industrial LED Vaportite

Typical Applications

Parking Garage • Cold Storage • Canopy • Warehouse • Food Processing • Manufacturing • Complex Environments

Interactive Menu

- Order Information [page 2](#)
- Photometric Data [page 3](#)
- Product Warranty

Top Product Features

- CCT and Lumen select with up to (3) CCT and lumen choices
- Compact and durable fiberglass reinforced polyester housing
- Precision optics in general, wide, or parking garage distribution
- Impact protection rating IK07 Lens and IK07 Housing
- High Impact Polycarbonate optical lens
- Wet Location and IP67 Listed

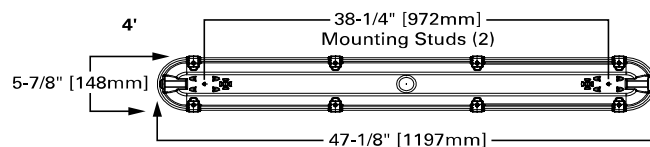
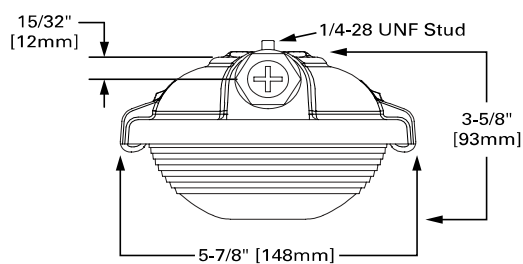
Product Certification



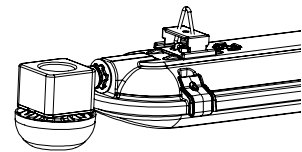
Product Features



Dimensional, Mounting Details

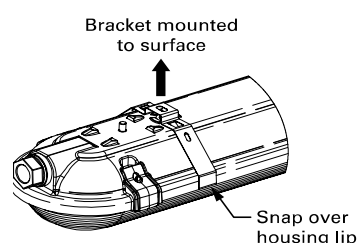


WLS2, WLS4, and WPS4 Sensors

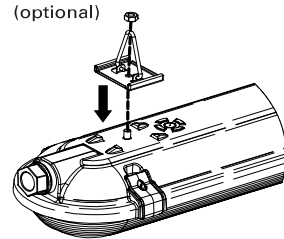


Installation Data

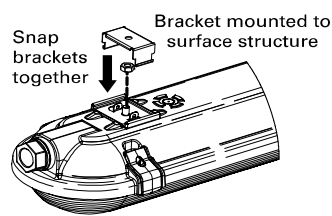
STANDARD



V-HANGER (optional)



SURFACE BRACKET (optional)



PS51915524 page 1
December 10, 2025 4:29 PM

Prepared By: Mac's ii Design Team

Job Name : SECHELT AQUATIC CENTRE
Manufacturer : METALUX
Model Number : 4VT3-SL3C3-XX-UNV
Notes : SPECIFY DISTRIBUTION

Type :
G

Metalux

VT3 Selectable LED

Order Information

SAMPLE ORDER NUMBER: 4VT3-SL3C3-G-UNV

Domestic Preferences ⁽¹⁾	Series ⁽²⁾	Distribution ^{(3), (4)}	Voltage	Remote Emergency Enclosure
[Blank]=Standard BAA=Buy American Act TAA=Trade Agreements Act	4VT3-SL3C3=VT3 Selectable Selectable Lumens (See table on pg. 3 for details) 4000/5100/6400 Selectable Color 3000K/3500K/4000K	G =General Distribution W =Wide Distribution P =Parking Garage Distribution WPC =Wide Distribution, Polycarbonate PPC =Parking Distribution, Polycarbonate	UNV=Universal Voltage 120-277 Volt	EL10W =10-watt, 120-277V emergency battery pack installed ^{(6), (7)} VT-REM-EL10W =Remote mounted 10-watt, 120-277V emergency battery pack ⁽⁸⁾
Notes (1) Only product configurations with these designated prefixes are built to be compliant with the Buy American Act of 1933 (BAA) or Trade Agreements Act of 1979 (TAA), respectively. Please refer to DOMESTIC PREFERENCES website for more information. Components shipped separately may be separately analyzed under domestic preference requirements.	Notes (2) DesignLights Consortium® Qualified and classified for DLC Standard, refer to www.designlights.org for details.	Notes (3) General distribution provided with smooth frosted lens, Wide distribution provided with frosted prismatic lens, and Parking Garage distribution provided with clear prismatic lens. (4) IP69 only available in Wide or Parking Garage distributions.		Notes (6) IP ratings require fixtures be mounted horizontally. (7) EL10W option rated for max. 35°C ambient. (8) VT-REM-EL10W option rated for max. 45°C ambient.

Driver Type	Options	Packaging	Accessories (order separately) ⁽¹¹⁾
[Blank]=Standard (0-10V Driver, 10%-100%)	SSL =Stainless Steel Latches TP =Standard Latch with Tamper-proof Screws SSLTP =Stainless Steel Latches with Tamper-proof Screws MSWL20 =Wet Listed Motion Sensor 360°, Non-dimming WPS4 =WaveLinx PRO Wireless Sensor, Sidecar mount, with 1200 sq ft. coverage ⁽⁹⁾ WLS4 =WaveLinx LITE Wireless Sensor, Sidecar mount, 15' - 40' Mounting Height ^{(9), (10)} WLS2 =WaveLinx LITE, Integrated Sensor, Bluetooth Programmable, 7' - 15' Mounting ^{(9), (10)}	[Blank]=Unit Pack	VT3-SS-VBK =Stainless Steel V-Bracket (2 per kit) VT3-SS-SBK =Stainless Steel Surface Bracket (2 per kit)
	Notes (9) Not compatible with EL10W. (10) WaveLinx LITE devices are not currently compatible with the WaveLinx PRO Wireless Area Controller.		Notes (11) Accessories sold separately will be separately analyzed under domestic preference requirements. Consult factory for further information.

Product Specifications

Construction

- Rugged and durable construction
- Fiberglass housing is reinforced polyester and self-extinguishing (ASTM-D635-74) plastic
- Die formed metal chassis and electrical tray
- Watertight housing
- 1/2" conduit entry at each end of housing (standard) for continuous feed
- Polyurethane gasketing provides a continuous seamless seal for the diffuser lens
- Four sturdy cam latches clamp diffuser tightly for a positive seal between housing, gasketing and diffuser
- Stainless steel latches option
- Surface or chain mounting
- Impact protection rating IK07 Lens and IK07 Housing
- IK10 for polycarb lens with parking and wide distribution

Controls

- Integral 360° motion sensor, 1200 sq. ft. coverage
- WaveLinx Pro Wireless Sensor provides 1200 sq. ft. coverage for occupancy sensing and daylight harvesting
- WaveLinx Lite Wireless sensor suitable for low or high bay applications up to 40ft (45ft major motion).
- All fixtures with sensor come with two (2) hubs as standard

WaveLinx LITE devices are not currently compatible with the WaveLinx Pro Wireless Area Controller

Electrical

- Selectable lumen output choices of low, medium, high
- Selectable Color temperature choices in 3000K, 3500K and 4000K with a CRI >= 80
- Projected life is 60,000 hours at 89% lumen output
- Driver 120-277V with 0-10V dimming control standard
- Default CCT/Lumen setting is 4000K and Medium Power
- Operating temperature of -40°C to 55°C; Ideal for cold storage environments

Lens

- Thermoformed low profile, high impact 50% DR High acrylic lens
- Smooth frosted lens for general distribution
- Frosted prismatic lens for wide distribution
- Clear prismatic lens for parking garage distribution

Warranty

- Five-year limited warranty

Compliance

- UL/cUL listed for Wet location
- LED modules comply with IESNA LM-79 and LM-80 standards
- NEMA 4X, IP65, IP66 and IP67 rated (see installation instructions for requirements)
- IP69 rated with wide or parking garage distributions
- NSF International certified for NSF/ANSI Standard 2 – Food Equipment
- DesignLights Consortium® Qualified and classified for both DLC Standard and DLC Premium (refer to [www.designlights.org](#) for details)
- Acrylic lenses are IK07 Rated, and optional Polycarbonate lenses are IK10 Rated

Control Solutions

- WaveLinx LITE wireless
- WaveLinx PRO wireless
- WaveLinx CAT wired
- WaveLinx Wired



Job Name : SEHEL T AQUATIC CENTRE
Manufacturer : METALUX
Model Number : 4VT3-SL3C3-XX-UNV
Notes : SPECIFY DISTRIBUTION

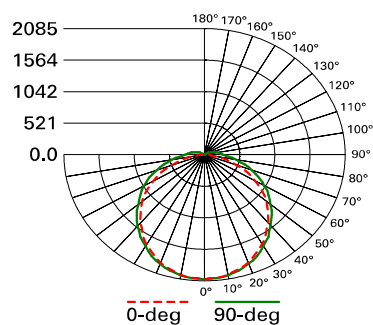
Type :
G

Metalux

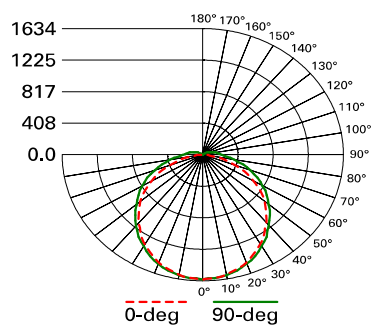
VT3 Selectable LED

Photometric Data

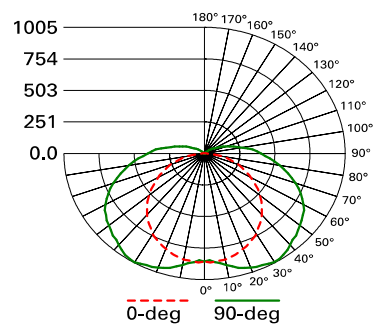
[View IES files](#)



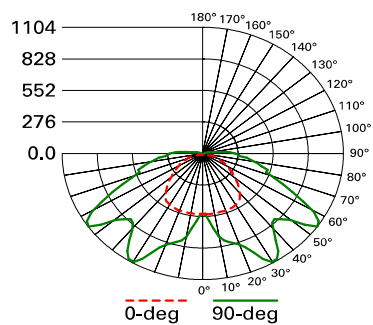
4VT3-SL3C3-G-UNV HIGH 4000K
 Electronic Driver
 Linear LED 4000K
 Spacing criterion: (II) 1.24 x mounting height, (⊥) 1.28 x mounting height
 Lumens: 6580
 Input Watts: 50.2W
 Efficacy: 131 lm/W
 Test Report:
 4VT3-SL3C3-G-UNV-HIGH-4000K.IES



4VT3-SL3C3-G-UNV MED 4000K
 Electronic Driver
 Linear LED 4000K
 Spacing criterion: (II) 1.24 x mounting height, (⊥) 1.28 x mounting height
 Lumens: 5156
 Input Watts: 37.6W
 Efficacy: 137 lm/W
 Test Report:
 4VT3-SL3C3-G-UNV-MID-4000K.IES



4VT3-SL3C3-W-UNV MED 4000K
 Electronic Driver
 Linear LED 4000K
 Spacing criterion: (II) 1.28 x mounting height, (⊥) 1.68 x mounting height
 Lumens: 4421
 Input Watts: 29.2W
 Efficacy: 151 lm/W
 Test Report:
 4VT3-SL3C3-W-UNV-MID-4000K.IES



4VT3-SL3C3-P-UNV LOW 4000K
 Electronic Driver
 Linear LED 4000K
 Spacing criterion: (II) 1.46 x mounting height, (⊥) 2.18 x mounting height
 Lumens: 4024
 Input Watts: 29.2W
 Efficacy: 138 lm/W
 Test Report:
 4VT3-SL3C3-P-UNV-LOW-4000K.IES



Energy and Performance Data by Catalog Number

Size	Catalog Number	Lumen Setting	CCT	CRI (Min)	Delivered Nominal Lumens	Watts	Efficacy (lm/W)
4FT	4VT3-SL3C3-G-UNV	Low	3000K	80	3828	29.3	131
			3500K	80	4055	28.5	142
			4000K	80	4107	29.2	141
		Medium	3000K	80	4796	37.6	128
			3500K	80	5129	36.5	141
			4000K	80	5156	37.6	137
		High	3000K	80	6126	50.1	122
			3500K	80	6622	48.3	137
			4000K	80	6580	50.2	131

Lumen Maintenance

Ambient Temperature	TM-21 Lumen Maintenance (60,000 hours)	Theoretical L70 (Hours)
25°C	> 89%	> 185,000

4ft. Lumen Package	Ambient Rating
4VT3-SL3C3	50°C

Shipping Data

Catalog No.	Wt.
4VT3-S	12 lbs.

Shielding

Lens Type	Lumen Factor
G	1.00
P, PPC	0.98
W, WPC	1.08

IK Rating

VT3S	IK Rating
Lens	IK07
Housing	IK07
PC Lens	IK10
PPC Lens	IK10



Cooper Lighting Solutions
 1121 Highway 74 South
 Peachtree City, GA 30269
 P: 770-486-4800
 www.cooperlighting.com

© 2025 Cooper Lighting Solutions
 All Rights Reserved.
 Specifications and dimensions
 subject to change without notice.

PS51915524 page 3
 December 10, 2025 4:29 PM

Prepared By: Mac's ii Design Team

Job Name : SECHELT AQUATIC CENTRE
Manufacturer : PORTFOLIO
Model Number : LER4C20DE010W2N2765MB / EC4C1030W2N902765 / 4LBN3MB / AC4120MB

Type :
L -OPTI
ON01

Project		Catalog #		Type	
Prepared by		Notes		Date	



Portfolio

LER4C/LESQ4C Cylinders - VividTune

4" Round and Square Cylinder
 Surface, Ceiling, Wall, Up/Down, Yoke, Stem and
 Air Craft Cable Mount
 Tunable white and dim to warm
Typical Applications
 Office • Education • Healthcare • Hospitality • Retail • Residential

Interactive Menu

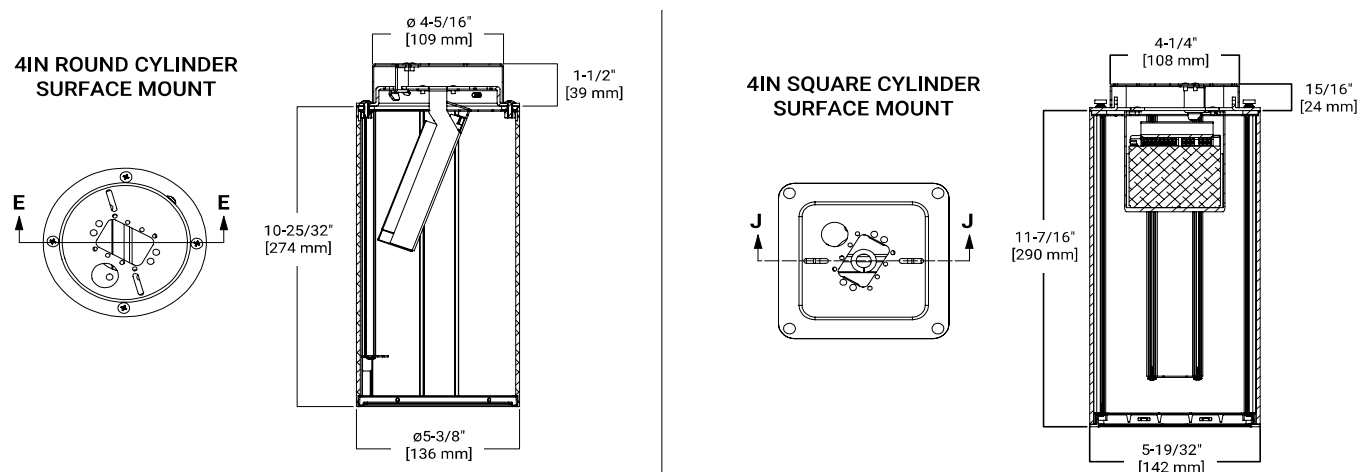
- Order Information page 2
- Product Specifications page 4
- Energy Data page 5
- Connected Systems page 10
- Product Warranty



Top Product Features

- 800-3500 lumens
- Extruded aluminum housing; Matte Black, White, Bronze and Silver paint finishes
- D2W™ option from 3000K to 1850K
- Tunable White CCT range: W2N = 2700K to 6500K or 2000K to 5000K / BioUp = 2700K to 5000K
- Options to meet Trade Agreements Act requirements

Dimensional and Mounting Details



[additional product diagrams](#)

*T24 and RoHS are self-tested by Cooper Lighting Solutions. Not a third party certification.



PS52050023 page 1
 February 17, 2025 10:07 AM

Prepared By: Mac's ii Design Team

Job Name : SECHLT AQUATIC CENTRE

Manufacturer : PORTFOLIO

Model Number : LER4C20DE010W2N2765MB / EC4C1030W2N902765 / 4LBN3MB /AC4120MB

Type :

**L -OPTI
ON01**

Portfolio

LER4C/LESQ4C Cylinders - VividTune

Order Information

SAMPLE ORDER NUMBER: LER4C10D2WD010TRP

Domestic Preferences ⁽³⁰⁾	Cylinder	Lumens	Color Control
[Blank]=Standard BAA=Buy American Act TAA= Trade Agreements Act	Ceiling surface mount LER4C=4-inch round surface mount LESQ4C= 4-inch square surface mount square aperture ⁽¹⁾ LESQR4C= 4-inch square surface mount round aperture ⁽²⁾ Ceiling surface mount Square with conduit canopy (for round use Conduit Canopy Kit accessory) LESQSM4C = 4-inch square surface mount square aperture with surface mount conduit canopy ⁽¹⁾ LESQRSM4C = 4-inch square surface mount, round aperture with surface mount conduit canopy ⁽²⁾ Wall mount Downlight LERWM4C= 4-inch round wall mount LESQRWM4C= 4-inch square wall mount round aperture ⁽²⁾ LESQWM4C= 4-inch square wall mount square aperture ⁽¹⁾ Wall mount Up/down ⁽²³⁾ LERUD4C= 4-inch round wall mount up/down ^{(4) (36)} LESQUD4C= 4-inch square wall mount up/down square aperture ^{(3) (36)} LESQRUD4C= 4-inch square wall mount up/down round aperture ^{(4) (36)} Yoke mount LERYM4C = 4-inch round yoke mount ⁽²⁴⁾ LESQYM4C = 4-inch square yoke mount square aperture ^{(1) (24)} LESQRYM4C = 4-inch square yoke mount round aperture ^{(2) (24)}	08=800 lumens 10=1000 lumens 15=1500 lumens 20=2000 lumens 25=2500 lumens 30=3000 lumens 35=3500 lumens	[Blank]=W2N 1000-3000 lumens, BioUp 800-2000 lumens D2W=Dim to warm for 800-2500, 3500 lumens

Driver	Remote ⁽⁸⁾	Finish ⁽¹⁰⁾	Factory Installed Connected Lighting Options
D2W D010=0-10V Dimming, 1% to 100%, 120V-277V, 1 driver: 800 to 2500 / 2 drivers: 3500 Lumens offered with downlight using remote driver 3D010=0-10V Dimming, 1% to 100%, 347V, 1 driver: 800 to 2500 / 2 drivers: 3500 Lumens offered with downlight using remote driver D010TR=0-10V (120-277V) or line voltage (120V) dimming, 5-100%; 1 driver: 800 to 2500 / 3500 Lumens offered with downlight using remote driver DE010=0-10V Linear Dimming, 0.1% to 100%, 120V-277V, 1 driver: 800 to 2500 / 3500 Lumens offered with downlight using remote driver D5LT=Fifth Light® DALI DT6 Logarithmic Dimming, 0.1% to 100%, 120V-277V, 1 driver: 800 to 2500 /3500 Lumens offered with downlight using remote driver DMX=DMX/RDM Logarithmic Dimming, 0.1% to 100%, 120V-277V, 1 driver: 800 to 2500 / 3500 Lumens offered with downlight using remote driver ⁽⁶⁾ DMX5=DMX/RDM Logarithmic Dimming, 0.1% to 100%, 120V-277V, with RJ45 connection, 1 driver: 800 to 2500 / 3500 Lumens offered with downlight using remote driver ⁽⁶⁾ DLE=Lutron Ecosystem dimming 1% to 100%, 120-277V; 1 driver: 800 to 2500 / 3500 Lumens offered with downlight using remote driver DLV=Low Voltage System, 800-2500 lumens W2N DE010W2N2765=0-10V Linear Dimming, 0.1% to 100%, 120V-277V, 2700K-6500K, 1000-3000 lumens DE010W2N2050=0-10V Linear Dimming, 0.1% to 100%, 120V-277V, 2000K-5000K, 1000-3000 lumens D5LTW2N2765=Fifth Light® DALI DT6 Logarithmic Dimming, 0.1% to 100%, 120V-277V, 2700K-6500K, 1000-3000 lumens D5LTW2N2050=Fifth Light® DALI DT6 Logarithmic Dimming, 0.1% to 100%, 120V-277V, 2000K-5000K, 1000-3000 lumens BioUp Tunable White DE010B2750=0-10V Linear Dimming, 0.1% to 100%, 120V-277V, 2700K-5000K, 800-2000 lumens DE010B35, DE010B40, DE010B50 =0-10V Linear Dimming, 0.1% to 100%, 120V-277V, choose 3500K, 4000K or 5000K, 800-2000 lumens D5LTB2750=Fifth Light® DALI DT6 Logarithmic Dimming, 0.1% to 100%, 120V-277V, 2700K-5000K, 800-2000 lumens D5LTB35, D5LTB40, D5LTB50=Fifth Light® DALI DT6 Logarithmic Dimming, 0.1% to 100%, 120V-277V, choose 3500K, 4000K or 5000K, 800-2000 lumens	blank=Integral driver R=Remote driver ⁽⁹⁾	P=White MB=Matte Black SL=Silver BZ=Bronze	WPN = WaveLinX PRO Wireless Node without sensor ^{(14) (37)} WLN = WaveLinX LITE Wireless Node without Sensor (not compatible with Tuneable White) ^{(14) (38)} IEMBOD6ST = Bodine® 6W Self Test Emergency Module with Integral Test Switch (requires EM6 trim option) • Offered with D2W only. • Limited to 2000 lumens

SAMPLE ORDER NUMBER: EC4C08259030D2W

Domestic Preferences ⁽³⁰⁾	Power Module	Lumen Levels ⁽¹⁵⁾	Color
[Blank]=Standard BAA=Buy American Act TAA= Trade Agreements Act	EC4C=4-inch Universal LED Module	BioUp Tunable white 0820B=800, 1000, 1500, 2000 lumens, 90 CRI Dim 2 Warm 08259030D2W=800-2500 lumen, 90 CRI, Dim 2 Warm 35459030D2W=3500 lumen, 90 CRI, Dim 2 Warm, 2 LEDs Tunable white 1030W2N902765=1000, 1500, 2000, 2500, 3000 lumens, 90 CRI, tunable white 2700K-6500K 1030W2N902050=1000, 1500, 2000, 2500, 3000 lumens, 90 CRI, tunable white 2000K-5000K	9035= Static 3500K 9040=Static 4000K 9050=Static 5000K 902750=BioUp Tunable White 2700K-5000K

continued on next page



PS25050023 page 2
February 17, 2025 10:07 AM

Prepared By: Mac's ii Design Team

Job Name : SECHELT AQUATIC CENTRE
Manufacturer : PORTFOLIO
Model Number : LER4C20DE010W2N2765MB / EC4C1030W2N902765 / 4LBN3MB /AC4120MB

Type :
L -OPTI
ON01

Portfolio

LER4C/LESQ4C Cylinders - VividTune

Order Information

SAMPLE ORDER NUMBER: **4LBN3LI**

Domestic Preferences ⁽³⁰⁾	Trim	Distribution ⁽¹⁶⁾		Flange	Finish	Options
[Blank] =Standard BAA =Buy American Act ⁽³⁵⁾	4LB =4" LED	N =Narrow (30° Beam), Spun Aluminum M =Medium (50° Beam), Spun Aluminum MD =45° Cutoff, Medium Beam, Spun Aluminum W =Wide (75° Beam), Spun Aluminum S =Shallow (75° Beam), Spun Aluminum CS =Cast Shallow (75° Beam), Die Cast Aluminum BA =Spun Aluminum Baffle	SWN =Single Wall Wash, Spun Aluminum DWN =Double Wall Wash, Spun Aluminum MDSW =45° Cutoff, Single Wall Wash, Spun Aluminum MDDW = 45° Cutoff, Double Wall Wash, Spun Aluminum LSWW =Lensed Single Wall Wash, Spun Aluminum LDWW =Lensed Double Wall Wash, Spun Aluminum Square (for use with LESQUDS, LESQS) SQ = Medium Beam, 50° Cutoff Square Anodized Aluminum Downlight SQW = Medium Beam, 45° Cutoff Anodized Aluminum Downlight CSSQ =Shallow Die Cast Aluminum	3 =Rimless	LI =Specular Clear ⁽¹⁷⁾ H =Semi-Specular Clear ⁽¹⁷⁾ WHM =Warm Haze ⁽¹⁷⁾ WH =Wheat ⁽¹⁷⁾ GPH =Graphite Haze ⁽¹⁷⁾ B =Specular Black ⁽¹⁷⁾ MW =Matte White MB =Matte Black ⁽¹⁸⁾ MMS =Matte Metallic Silver ⁽¹⁹⁾	EM6 =Integral Emergency Test Switch Hole ⁽⁷⁾ For use with: • Available with narrow (N), medium (M) and medium 45° (MD), Shallow (S), Square (SQW).

REQUIRED if Remote Driver (R) is specified on Cylinder

Domestic Preferences ⁽³⁰⁾	Remote Drivers ⁽⁸⁾	Lumens	Color Control	Voltage	Driver
[Blank] =Standard TAA = Trade Agreements Act	RC100 =Remote 100 ft RC75 = Remote 75 ft RC50 = Remote 50 ft RC25 = Remote 25 ft RC15 = Remote 15 ft RC5 = Remote 5 ft RC2 = Remote 2 ft	08 =800 lumens 10 =1000 lumens 15 =1500 lumens 20 =2000 lumens 25 =2500 lumens 30 =3000 lumens 35 =3500 lumens	[Blank] =W2N 1000-3000 lumens, BioUp for 800-2500 lumens D2W =Dim to warm for 800-2500, 3500 lumens	[Blank] =120-277V (D2W up to 2500 lumens, W2N 1000 lumens, BioUp 800 lumens) 1 =120V (D2W 3500 lumens, W2N 1500-3000 lumens, BioUp 1000-2500 lumens) 2 =277V (D2W 3500 lumens, W2N 1500-3000 lumens, BioUp 1000-2500 lumens) 3 =347V ⁽³⁴⁾	D2W D010 =0-10V Dimming, 1% to 100%, 120V-277V; 1 driver: up to 2500 lumens / 2 drivers: (D2W) 3500 Lumens (2 Drivers downlight only) D010TR =0-10V (120-277V) or line voltage (120V) dimming, 5-100%; 1 driver: up to 3000 lumens / 2 drivers: (D2W) 3500 Lumens DE010 =0-10V Linear Dimming, 0.1% to 100%, 120V-277V, 1 driver: 500-2500 lumens / 2 drivers: (D2W) 3500 Lumens D5LT =Fifth Light® DALI DT6 Logarithmic Dimming, 0% to 100%, 120V-277V, 1 driver: 500-2500 lumens / 2 drivers: (D2W) 3500 Lumens DMX =DMX/RDM Logarithmic Dimming, 0.1% to 100%, 120V-277V, 1 driver: 800-2500 lumens / 2 drivers: (D2W) 3500 Lumens ⁽⁶⁾ DMXC5 =DMX/RDM Logarithmic Dimming, 0.1% to 100%, 120V-277V, with RJ45 connection, 1 driver: 800-2500 lumens / 2 drivers: (D2W) 3500 Lumens ⁽⁶⁾ DLE =Lutron Ecosystem dimming 1% to 100%, 120-277V; 1 driver: 800 to 2500 Lumens / 2 drivers: 3500 Lumens ⁽¹²⁾ DLV =Low Voltage System, 800-2500 lumens W2N DE010W2N2765 =0-10V Linear Dimming, 0.1% to 100%, 120V-277V, 2700K-6500K, 1000-3000 lumens DE010W2N2050 =0-10V Linear Dimming, 0.1% to 100%, 120V-277V, 2000K-5000K, 1000-3000 lumens D5LTW2N2765 =Fifth Light® DALI DT6 Logarithmic Dimming, 0.1% to 100%, 120V-277V, 2700K-6500K, 1000-3000 lumens D5LTW2N2050 =Fifth Light® DALI DT6 Logarithmic Dimming, 0.1% to 100%, 120V-277V, 2000K-5000K, 1000-3000 lumens BioUp DE010B2750 =0-10V Linear Dimming, 0.1% to 100%, 120V-277V, 2700K-5000K, 800-2000 lumens DE010B35 , DE010B40 , DE010B50 =0-10V Linear Dimming, 0.1% to 100%, 120V-277V, choose 3500K, 4000K or 5000K, 800-2000 lumens D5LTB2750 =Fifth Light® DALI DT6 Logarithmic Dimming, 0.1% to 100%, 120V-277V, 2700K-5000K, 800-2000 lumens D5LTB35 , D5LTB40 , D5LTB50 =Fifth Light® DALI DT6 Logarithmic Dimming, 0.1% to 100%, 120V-277V, choose 3500K, 4000K or 5000K, 800-2000 lumens

Options ^{(31) (33)}		Controls ^{(31) (33)}
EMBOD =Bodine® Emergency Module with Remote Test Switch EMBOD6ST =Bodine® 6W Self Test Emergency Module with Remote Test Switch EM7 =7W Emergency Module with Remote Test Switch EM14 =14W Emergency Module with Remote Test Switch	EMBOD7ST =Bodine® Self Test Emergency Module EMV7 =7W Low Voltage Emergency Module with Remote Test Switch ⁽²¹⁾ EMV14 =14W Low Voltage Emergency Module with Remote Test Switch ⁽²¹⁾ ETRD =Emergency transfer device ⁽³²⁾	WPST =Factory installed WaveLinX PRO Sensor Kit ^{(14) (28)} WLST =Factory installed WaveLinX LITE Sensor Kit ^{(14) (27)} WPN = WaveLinX PRO Wireless Node without sensor ^{(14) (37)} WLN = WaveLinX LITE Wireless Node without Sensor (not compatible with Tuneable White) ^{(14) (38)}

continued on next page

Job Name : SEHEL T AQUATIC CENTRE

Manufacturer : PORTFOLIO

Model Number : LER4C20DE010W2N2765MB / EC4C1030W2N902765 / 4LBN3MB /AC4120MB

Type :

**L -OPTI
ON01**

Portfolio

LER4C/LESQ4C Cylinders - VividTune

Order Information

Domestic Preferences ⁽³⁰⁾	Accessories	Type	Lengths	
[Blank]=Standard TAA= Trade Agreements Act	Pendant Kit ^{(20) (22)} P436P =White pendant stem kit for round suspended mount cylinder P436BZ =Bronze pendant stem kit for round suspended mount cylinder P436MB =Matte black pendant stem kit for round suspended mount cylinder P436SL =Silver pendant stem kit for round suspended mount cylinder	Blank =5 conductor for use with 0-10V driver 3C =3 conductor for use with 120 or 277V 5C = 5 conductor for use with D5LT drivers DMX =No conductors for use with DMX and remote drivers RM = for Remote drivers	Blank =36" SP *=* Specify 6" to 144" in 1" increments	
	Conduit pendant kit ^{(22) (26)} PMRCC4P = Round pendant stem kit with conduit knockout cover, white PMRCC4MB = Round pendant stem kit with conduit knockout cover, black PMRCC4CZ = Round pendant stem kit with conduit knockout cover, bronze PMRCC4SL = Round pendant stem kit with conduit knockout cover, silver PMSQCC4P = Square pendant stem kit with conduit knockout cover, white PMSQCC4MB = Square pendant stem kit with conduit knockout cover, black PMSQCC4CZ = Square pendant stem kit with conduit knockout cover, bronze PMSQCC4SL = Square pendant stem kit with conduit knockout cover, silver		Blank =36" SP *=* Specify 6" to 144" in 1" increments	
	Aircraft cable ^{(22) (26)} AC4120P =120" white aircraft cable kit AC448P =48" white aircraft cable kit AC4120MB =120" black aircraft cable kit AC448MB =48" black aircraft cable kit		Blank =5 conductor DMXC5 =DMX/RDM logarithmic Dimming with RJ45 connection	
	LNE4RUD =up/down gasketed lens, wet location, round LNS4SQU = up/down gasketed lens, wet location square Conduit Kit ⁽²⁶⁾ SMRCC4P = Round conduit canopy for round surface mount, white SMRCC4MB = Round conduit canopy for round surface mount, black SMRCC4CZ = Round conduit canopy for round surface mount, bronze SMRCC4SL = Round conduit canopy for round surface mount, silver	Connected Lighting Systems ⁽¹⁴⁾ WPST =Field installed WaveLinX PRO Sensor Kit ⁽²⁷⁾ WLST =Field installed WaveLinX LITE Sensor Kit ⁽²⁸⁾		

Notes

- Square reflector
- Round reflector
- Square reflector, requires two reflectors and light engines
- Round reflector, requires two reflectors and light engines
- 347V integral D010 only. 800-3500 lumens for integral driver. 250-4000 lumens for remote driver.
- DMX fixtures default to full on upon loss of DMX signal
- Required for use with EM6. Not offered with remote driver.
- Up down surface mount require 2 driver assemblies
- Order remote driver separately. See below to order.
- Consult factory for custom finishes.
- Only available up to 25 ft.
- Not available with up/down
- Refer to system specifications for additional information, features, and benefits. Order either factory installed option or accessory. Use with 0-10V driver. WPN factory installed only.
- Nominal Lumens will vary depending on selected color, driver and reflector finish.
- Beam angles are nominal with LI finish trims.
- Not available on CS or BA distributions.
- Available with BA and CS distributions.

- Available only on CS distributions.
- 0-45° slope.
- ULus listed only
- Order with ceiling mount cylinder.
- (23) Lumen specified for up/down is the same for both directions. Ex. 800 lumens will be 800 lumens up & 800 lumens down.
- Ceiling mount only
- Not for use with remote driver
- WLST = WaveLinX Lite tile mount sensor kit for daylight dimming, PIR motion sensing, use with D010 only (Refer to WaveLinX Lite system specifications)
- WPST = WaveLinX wireless sensor kit for daylight dimming, PIR motion sensing, and optional RLTS - RealTime Location Services, use with 0-10V only
- To order product that is compliant with the Buy American Act of 1933 (BAA) or Trade Agreements Act (TAA), use the online specification configurator to specify BAA or TAA. Please refer to [DOMESTIC PREFERENCES LINK](#) for more information. Components shipped separately may be separately analyzed under domestic preference requirements. Accessories sold separately will be separately analyzed under domestic preference requirements.
- 120V-277V

- Used to bypass local control during outage. Must be used in conjunction with UL 1008 device (provided by others).
- Non-IC
- D010 800 to 2500 lumens (250, 500 and 3500 lumens use step down transformer) All other drivers use step down transformer.
- Offered with spun aluminum narrow (N), medium (M) and wide (W) trims
- DMX drivers with shallow trim only.
- WPN = WaveLinX PRO wireless node provides luminaire-level control with scene and zone configuration without an integrated sensor, Connects wirelessly with daylight dimming sensor and PIR motion sensor if desired. Use with 0-10V driver only.
- WLN = WaveLinX LITE wireless node provides luminaire level control with scene and zone configuration without an integrated sensor, Connects wirelessly with daylight dimming sensor and PIR motion sensor if desired. Use with D010 or DE010 drivers only.

Job Name : SECHELT AQUATIC CENTRE
Manufacturer : PORTFOLIO
Model Number : LER4C20DE010W2N2765MB / EC4C1030W2N902765 / 4LBN3MB /AC4120MB

Type :
L -OPTI
ON01

Portfolio

LER4C/LESQ4C Cylinders - VividTune

Product Specifications

Lower Reflector

- Painted die-cast aluminum or spun aluminum lower reflector with a lensed upper optical chamber provides superior lumen output with minimal source brightness
- Square surface mount available with square or round reflectors
- Spun reflectors are available in all Portfolio finishes

Wall Wash Reflector

- Open Wall Wash - wall wash reflector with gradient kicker offered in single and double with choice of wide or medium beam, providing even vertical illumination with minimal source brightness.
- Rotatable Lensed Wall Wash - Rotatable lensed wall wash reflector offered in single and double wall wash provides even vertical illumination with minimal source brightness.

Trim retention

- Two torsion springs hold flange tightly to the cylinder lip

Cylinder

- Round and soft square extruded aluminum
- Matte white, bronze, silver or matte black. Contact factory for custom finishes.
- Available in standard and shallow heights
- Yoke mount provides +/-45° lockable tilt

Mounting

- Mounting plate installs to mounted junction box
- Cylinder mounts to plate with easy twist and lock hooks for ceiling mount
- For wall mount, mounting arm attaches directly to junction box via a robust mounting plate
- Offered with optional stem and aircraft cable
- Conduit canopy allows for mounting pendant and surface cylinder on hard ceilings provided in painted finish to match the cylinder accommodates 1/2" or 3/4" conduit.

Thermal

- Aluminum heat sink conducts heat away from the LED module for optical performance and longer life

LED System

- Contains a plurality of high brightness white LED's combined with a high reflectance upper reflector and convex transitional lens producing even distribution without pixilation
- Auto resetting, thermally protected, LED's are turned off when safe operating temperatures are exceeded
- Quick disconnect allows for tool-less replacement of LED engine from below ceiling

Vividtune

- W2N: L70 55,000 hours
- **D2W™** - dim-to-warm shifts CCT from 3000K to 1850K as fixture dims mimicking halogen sources.
- **W2N** - Tunable white CCT range 2700K to 6500K or 2000K to 5000K, 90 CRI. Standard
- **BioUp** - Tunable white CCT range 2700K to 5000K Provides the biological effectiveness of natural sunlight, with color temperatures that are more comfortable for indoor environments

Driver

- Standard 120-277V 0-10V dimming driver provides flicker-free dimming from 100% to 1%
- Optional 120V leading edge, <1% 0-10V, Fifth Light, DMX or Lutron®
- Remote driver option up to 100' based on driver selection
- Distributed low voltage power system combines power, lighting, and controls with ease of installation.

Emergency Option

- Provides 90 minutes of standby lighting, meeting most life safety codes for egress lighting
- Available Self-Test (self-diagnostic) with remote charge indicator and test switch
- Emergency Transfer Relay Device bypasses local control during a power outage
- UL 924 listed

Connected Lighting System

Two WaveLinx connected solutions to choose from. Refer to WaveLinx system specifications and application guides for details.

WaveLinx PRO Tilemount Sensor Kit

- WaveLinx PRO WPST tilemount sensor kit offers daylight dimming, PIR motion sensing, scene and zone configuration, automatic commissioning; and optional RLTS - Real Time Location Services available.

WaveLinx PRO Wireless Node

- WaveLinx PRO WPN wireless node provides luminaire-level control with scene and zone configuration without an integrated sensor; Connects wirelessly with daylight dimming sensor and PIR motion sensor if desired. Use with 0-10V driver only. **Note:** Not compatible with 347V or Chicago plenum.

WaveLinx LITE Tilemount Sensor Kit

- WaveLinx LITE WLST tilemount sensor kit offers daylight dimming and PIR motion sensing, scene and grouping configuration.

WaveLinx LITE Wireless Node

- WaveLinx LITE WLN wireless node provides luminaire level control with scene and zone configuration without an integrated sensor; Connects wirelessly with daylight dimming sensor and PIR motion sensor if desired. Use with 0-10V driver only. **Note:** Not compatible with 347V or Chicago plenum.

WaveLinx Tilemount Sensor Kits Application

- The WPST and WLST tilemount sensor kits include a control module mounted on the luminaire junction box via 1/2" knock-out, and a tilemount sensor on 54-inch whip; for ceiling installation by direct-mount spring clips or via mounting bracket in octagon ceiling boxes.
- The WPST and WLST tilemount sensor kits may be ordered as factory installed on the luminaire, or ordered separately as a field installed accessory kit.
- **Note: WaveLinx PRO devices are only compatible with the WaveLinx PRO system.**
- **Note: WaveLinx LITE devices are only compatible with the WaveLinx LITE system.**

Compliance

- Pendant mount cULus Listed for damp locations
- Ceiling mount cULus Listed for wet locations and IP66 compliant in covered ceiling
- Wall mount cULus Listed for wet locations and IP66 compliant, requires lens accessory for up/down wall mount
- EMI/RFI emissions per FCC 47CFR Part 18 Class B consumer limits
- RoHS compliant
- Photometric testing completed in accordance with IES LM-79
- LED life testing completed in accordance with IES LM-80 standards

Warranty

- Five year warranty www.cooperlighting.com/legal

*T24 and RoHS are self-tested by Cooper Lighting Solutions. Not a third party certification.

Job Name : SECHELT AQUATIC CENTRE
Manufacturer : PORTFOLIO
Model Number : LER4C20DE010W2N2765MB / EC4C1030W2N902765 / 4LBN3MB /AC4120MB

Type :
L -OPTI
ON01

Portfolio LER4C/LESQ4C Cylinders - VividTune

Energy and Performance Data

D010 DRIVER ENERGY DATA

Series	800 lumen		1000 lumen		1500 lumen		2000 lumen	
Input Voltage 120-277VAC	120V	277V	120V	277V	120V	277V	120V	277V
Input Current (A)	0.085	0.041	0.084	0.042	0.135	0.063	0.189	0.084
Input Power (W)	10.15	10.52	10.04	10.43	16.17	16.56	22.58	22.63
In-rush (A)	3.6	8.3	3.6	8.4	2.3	9.5	2.1	9.7
Inrush duration (µs)	220	135	226	136	230	125	243	132
THDi (%)	5.57	9.63	7.78	9.24	4.75	9.93	8.03	7.44
PF	≥ 0.99	≥ 0.95	≥ 0.99	≥ 0.95	≥ 0.99	≥ 0.94	≥ 0.99	≥ 0.96

Series	2500 lumen		3000 lumen		3500 lumen	
Input Voltage 120-277VAC	120V	277V	120V	277V	120V	277V
Input Current (A)	0.276	0.121	0.276	0.041	0.333	0.152
Input Power (W)	32.98	32.57	32	10.52	39.83	39.84
In-rush (A)	2.5	11.8	3.6	8.3	3.1	14.3
Inrush duration (µs)	215	111	220	135	200	94
THDi (%)	9.86	6.57	5.57	9.63	4.25	10.05
PF	≥ 0.99	≥ 0.97	≥ 0.99	≥ 0.95	≥ 0.99	≥ 0.94

Minimum starting temperature -30°C (-22°F)*
(Nominal input 120-277VAC & 100% of rated output power)

Sound Rating: Class A standards

Notes:
Emergency Battery packs are rated for a minimum starting temperature of 0°C.

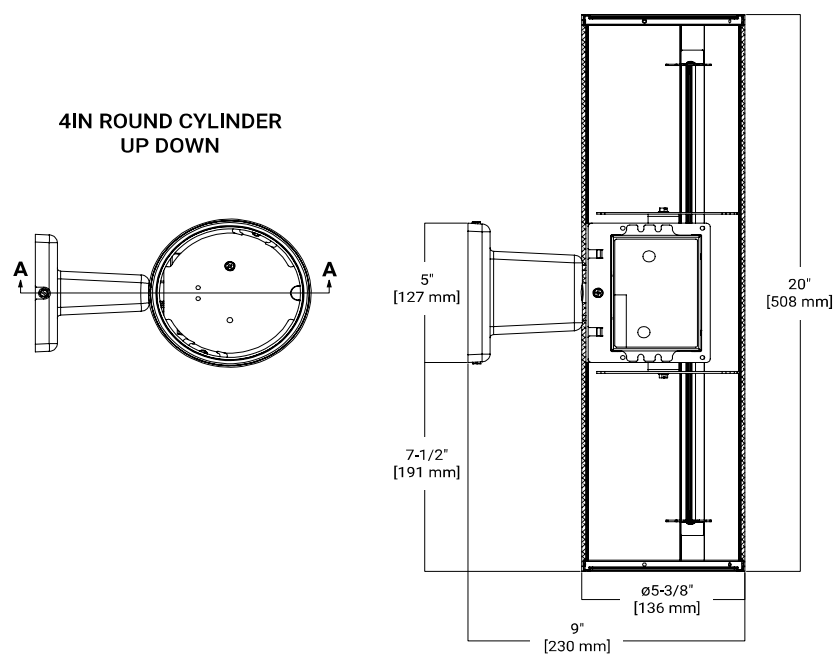
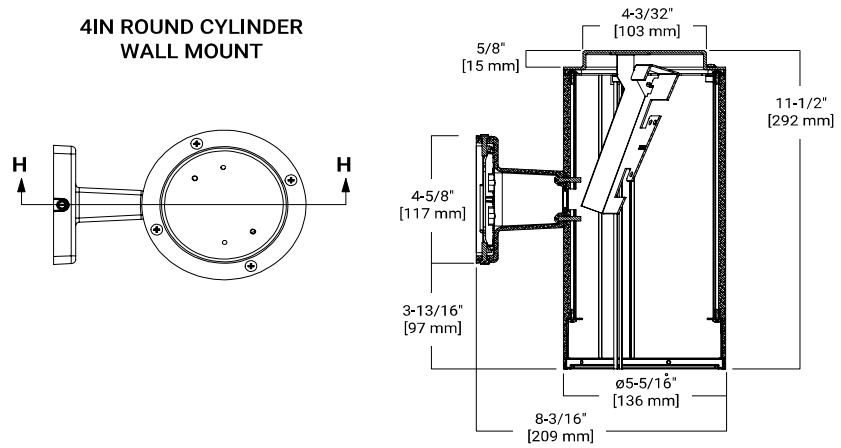
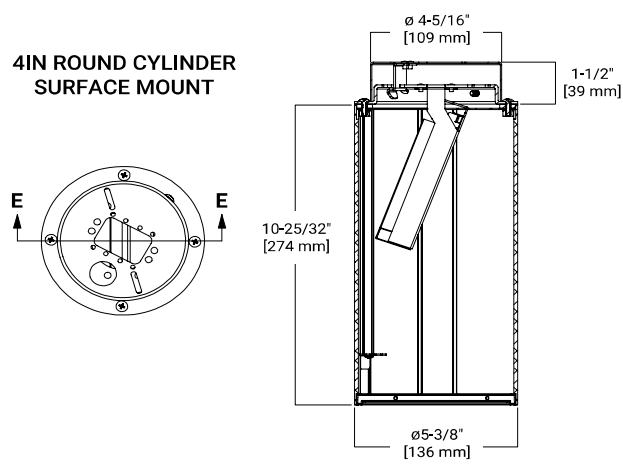
Job Name : SEHEL T AQUATIC CENTRE
Manufacturer : PORTFOLIO
Model Number : LER4C20DE010W2N2765MB / EC4C1030W2N902765 / 4LBN3MB / AC4120MB

Type :
L -OPTI
ON01

Portfolio

LER4C/LESQ4C Cylinders - VividTune

Dimensional and Mounting Details



Job Name : SEHEL T AQUATIC CENTRE

Manufacturer : PORTFOLIO

Model Number : LER4C20DE010W2N2765MB / EC4C1030W2N902765 / 4LBN3MB /AC4120MB

Type :

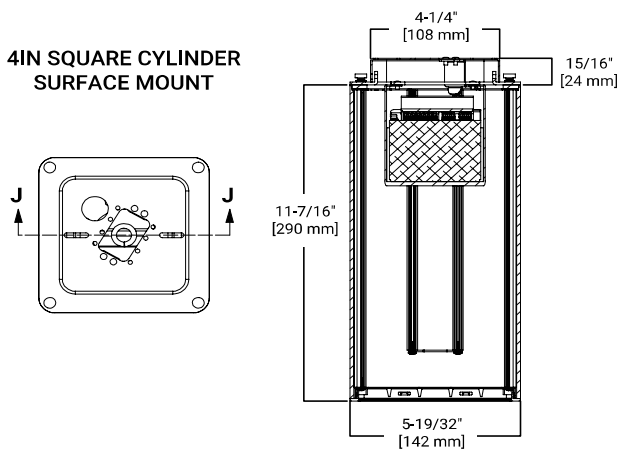
**L -OPTI
ON01**

Portfolio

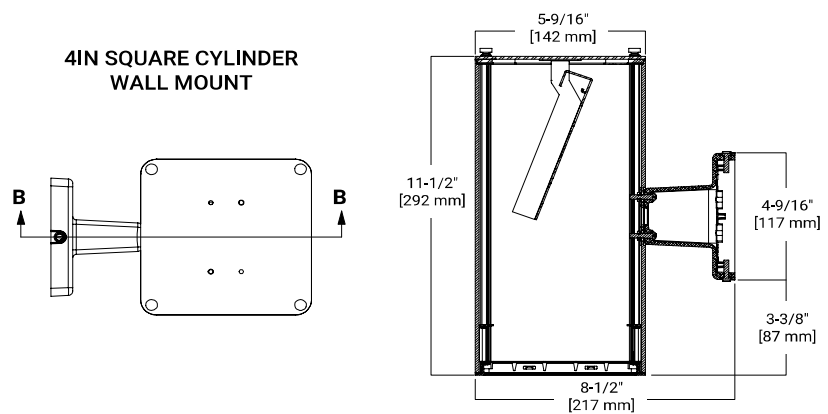
LER4C/LESQ4C Cylinders - VividTune

Dimensional and Mounting Details

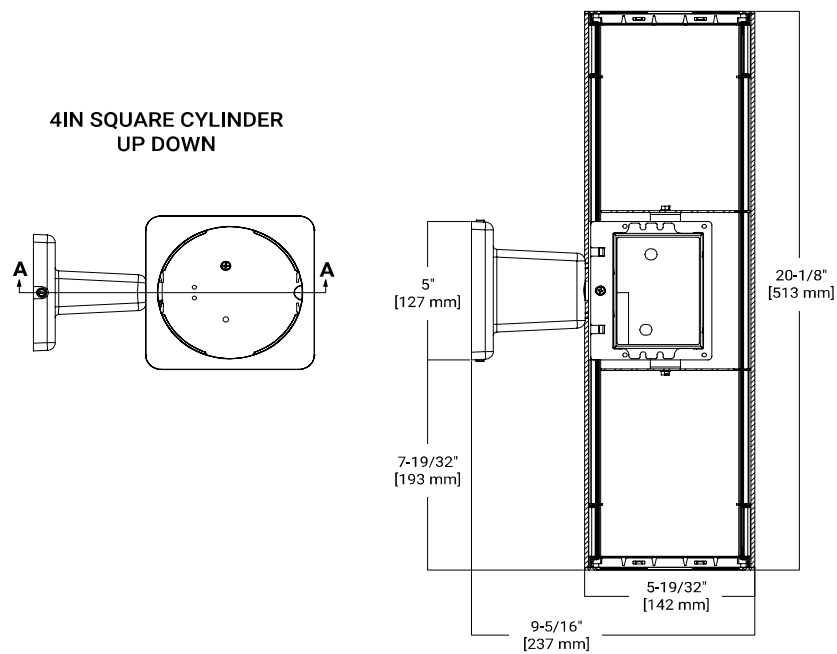
4IN SQUARE CYLINDER
SURFACE MOUNT



4IN SQUARE CYLINDER
WALL MOUNT



4IN SQUARE CYLINDER
UP DOWN



Job Name : SEHEL T AQUATIC CENTRE
Manufacturer : PORTFOLIO
Model Number : LER4C20DE010W2N2765MB / EC4C1030W2N902765 / 4LBN3MB / AC4120MB

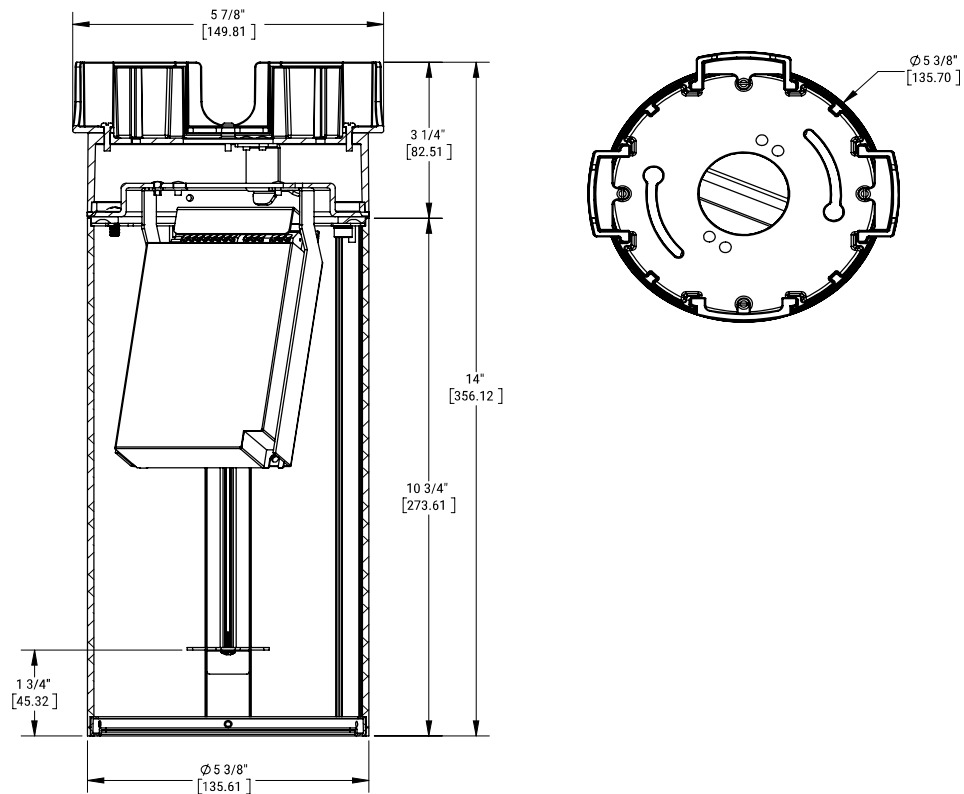
Type :
L -OPTI
ON01

Portfolio

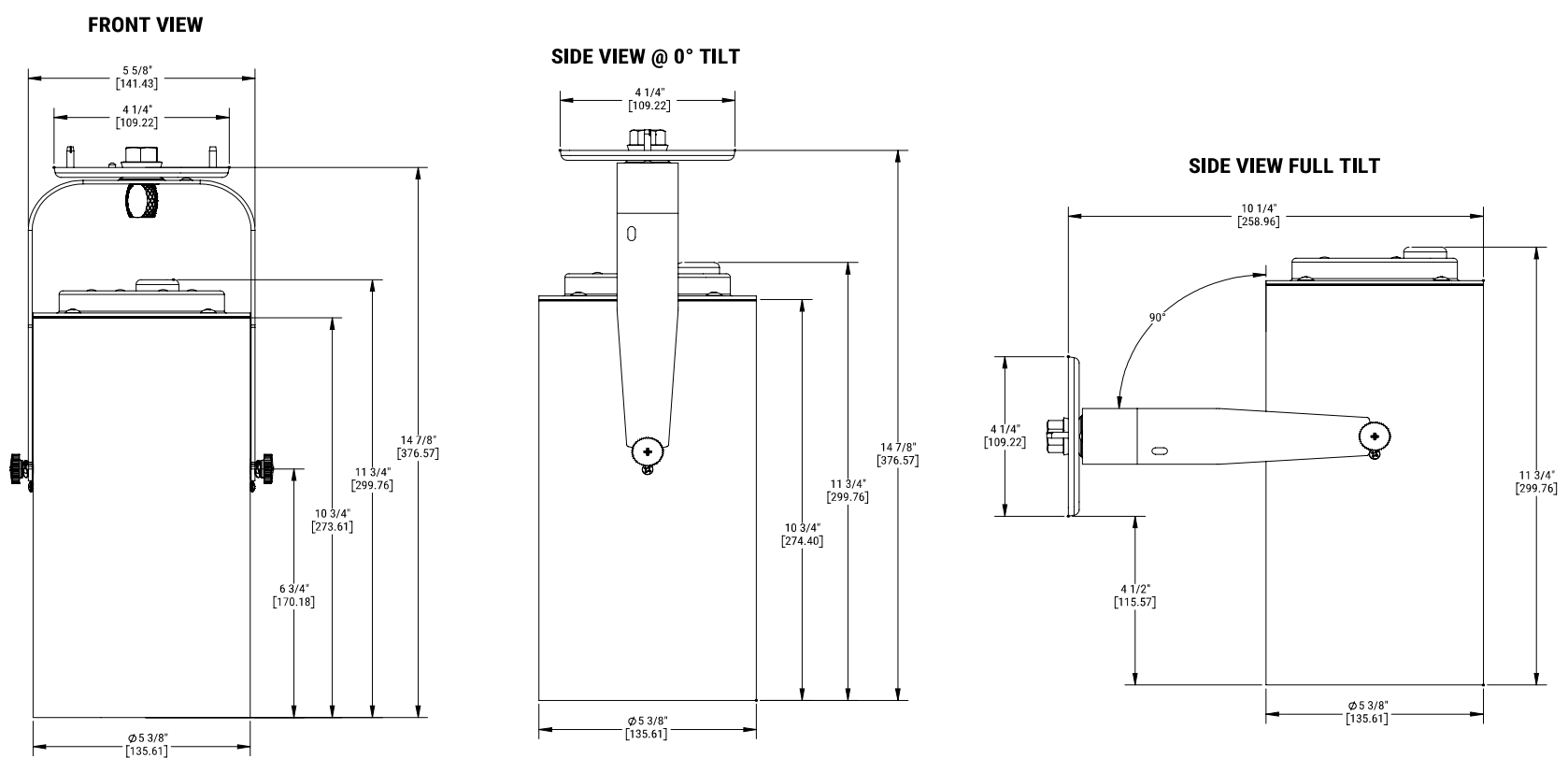
LER4C/LESQ4C Cylinders - VividTune

Dimensional and Mounting Details

4" ROUND CONDUIT CANOPY



4" ROUND, YOKE MOUNT



Job Name : SECHLT AQUATIC CENTRE
 Manufacturer : PORTFOLIO
 Model Number : LER4C20DE010W2N2765MB / EC4C1030W2N902765 / 4LBN3MB / AC4120MB

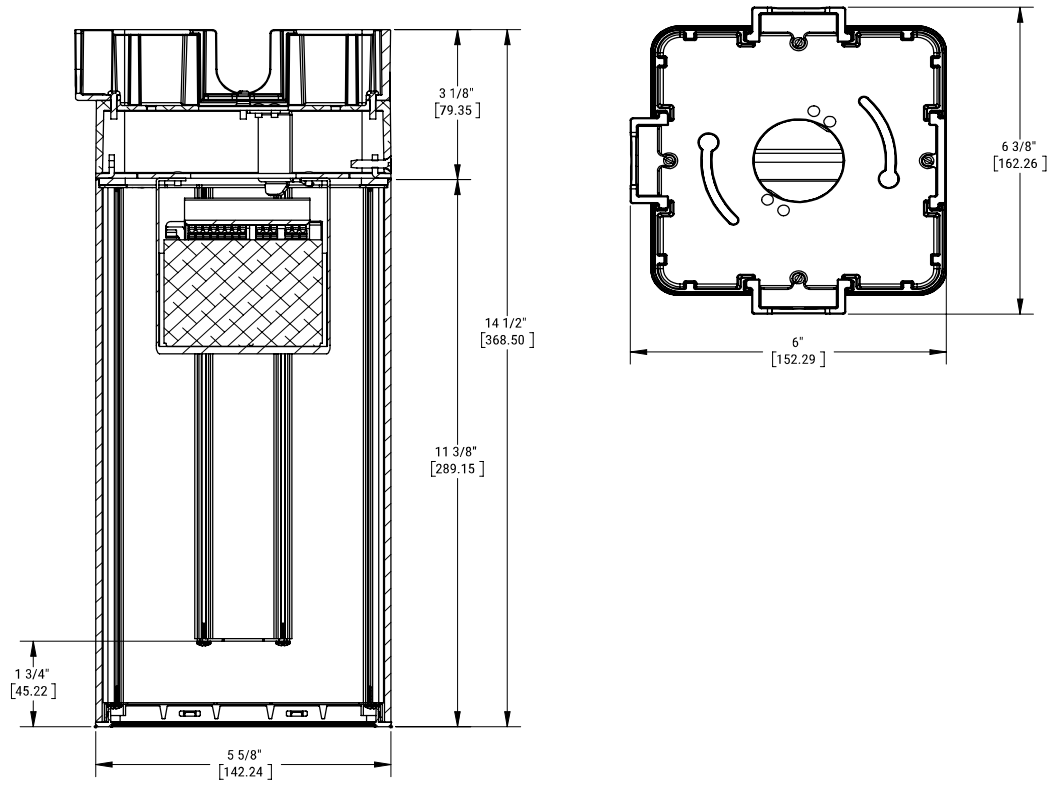
Type :
**L -OPTI
 ON01**

Portfolio

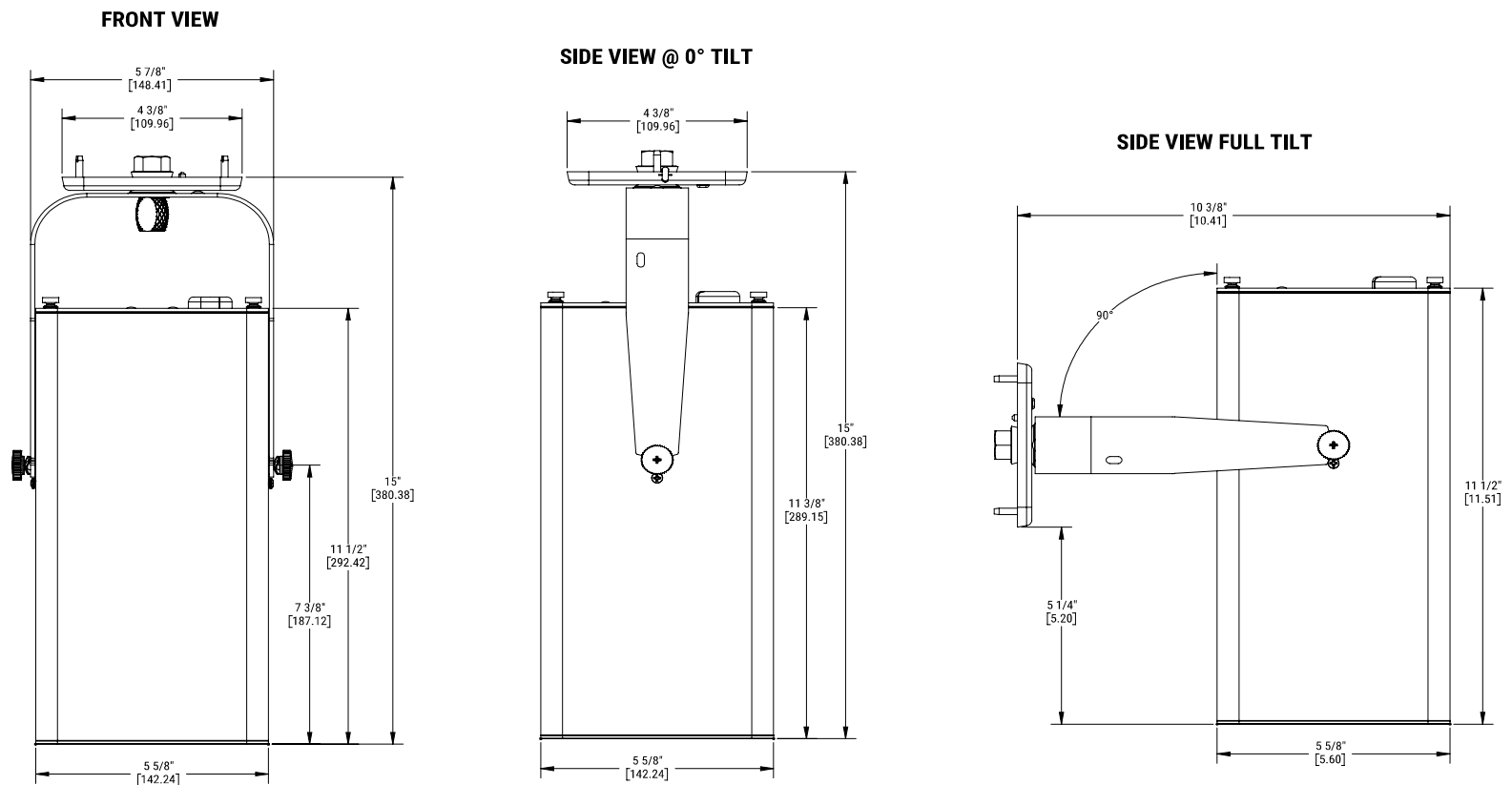
LER4C/LESQ4C Cylinders - VividTune

Dimensional and Mounting Details

4" SQUARE CONDUIT CANOPY



4" SQUARE YOKE MOUNT



Job Name : SECHELT AQUATIC CENTRE
Manufacturer : PORTFOLIO
Model Number : LER4C20DE010W2N2765MB / EC4C1030W2N902765 / 4LBN3MB / AC4120MB

Type :
L -OPTI
ON01

Portfolio

LER4C/LESQ4C Cylinders - VividTune

Connected Systems



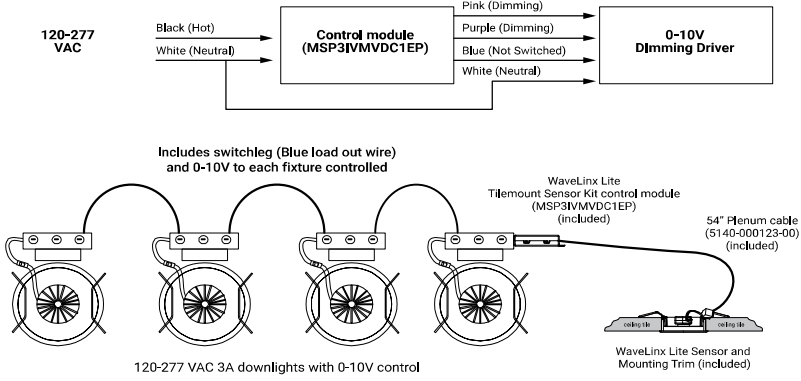
WaveLinx LITE - WLST Tilemount Sensor

WaveLinx LITE devices only compatible with the WaveLinx LITE system.

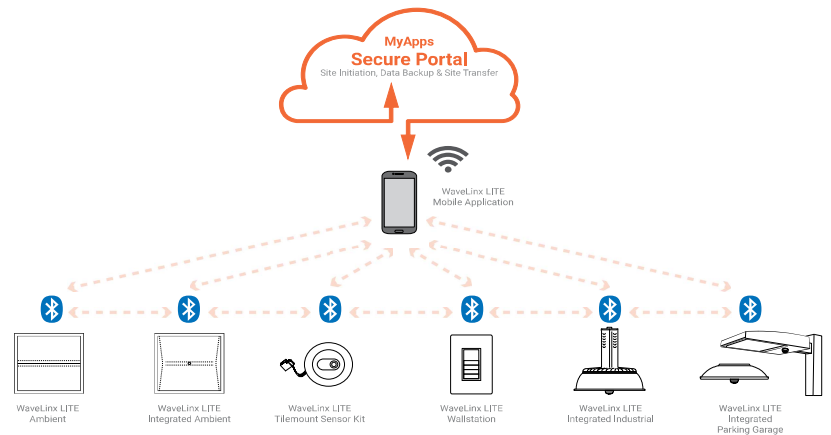
- Intuitive Android™ or Apple® iOS® app for basic system code compliant set up and configuration via Bluetooth
- Up to 28 unique areas per project site (WaveLinx LITE Bluetooth network)
- Up to 50 devices for an area, any one of 16 control zones, up to 6 occupancy sets, and custom lighting scenes
- Automatic occupancy or vacancy, sensor sensitivity, daylight dimming, etc. configurable through the app
- Refer to the WaveLinx system specifications for details



WaveLinx LITE WLST Tilemount Wiring Diagram



WaveLinx LITE Bluetooth Enabled System



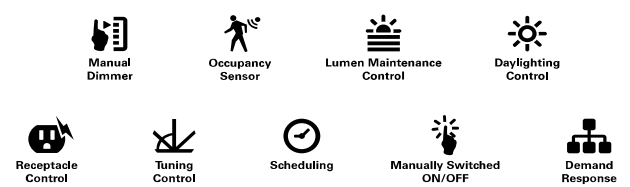
WaveLinx PRO Wireless – WPST Tilemount Sensor

WaveLinx PRO devices only compatible with the WaveLinx PRO system.

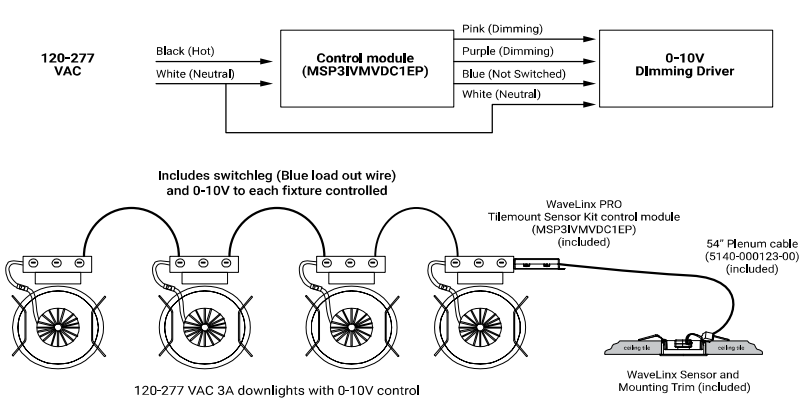
- WaveLinx PRO Wireless functionality configures zones and customizes settings from one secure mobile app
- Automatic code commissioning that meets the strictest codes
- Fixtures and sensors integrate with Wireless Area Controller, Wall Stations, and Control Devices
- Stand-Alone Offices or Entire Building Network Installations



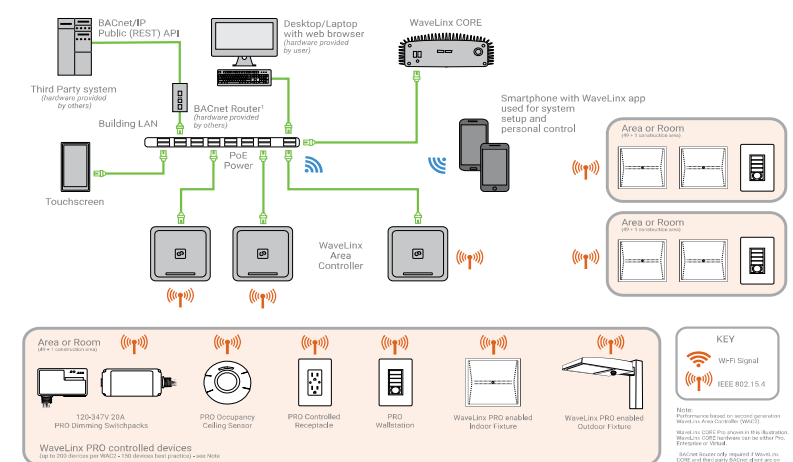
WaveLinx mobile app settings



WaveLinx PRO WPST Tilemount Wiring Diagram



WaveLinx CORE Building Management Integration



Job Name : SECHLT AQUATIC CENTRE

Manufacturer : PORTFOLIO

Model Number : LER4C20DE010W2N2765MB / EC4C1030W2N902765 / 4LBN3MB / AC4120MB

Type :

L - OPTI
ON01

Portfolio

LER4C/LESQ4C Cylinders - VividTune

Connected Solutions



WaveLinx LITE Wireless Node - WLN

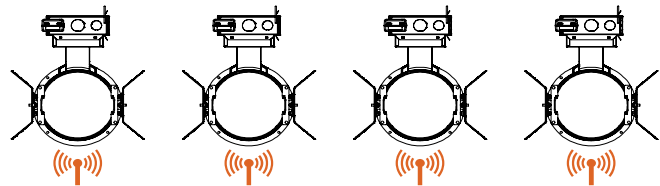
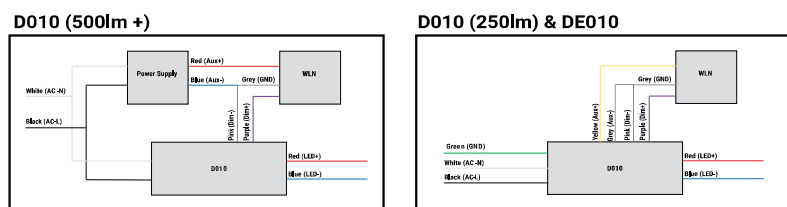
WaveLinx LITE devices only compatible with the WaveLinx LITE system.

- Intuitive Android™ or Apple® iOS® app for basic system code compliant set up and configuration via Bluetooth
- Up to 28 unique areas per project site (WaveLinx LITE Bluetooth network)
- Up to 50 devices for an area, any one of 16 control zones, up to 6 occupancy sets, and custom lighting scenes
- Refer to the WaveLinx system specifications for details
- Not available with BioUp or Tunable White

WaveLinx mobile app settings

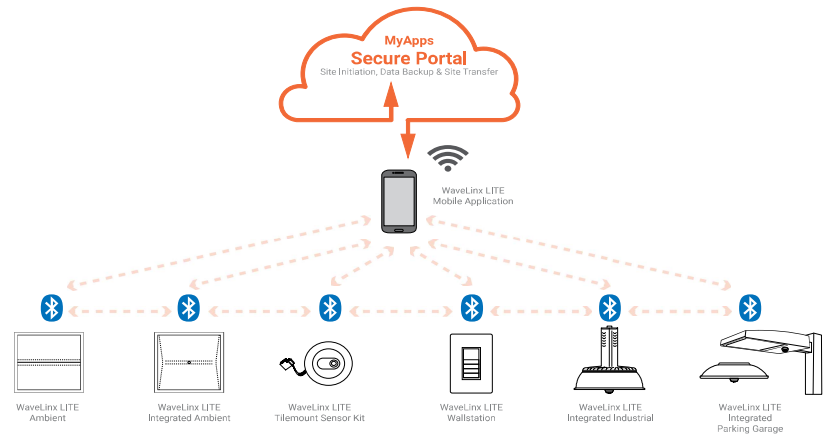


WaveLinx LITE Wireless Node (WLN) Wiring Diagram



120-277 VAC 3A downlights with 0-10V control

WaveLinx LITE Bluetooth Enabled System



WaveLinx PRO Wireless Node - WPN

WaveLinx PRO devices only compatible with the WaveLinx PRO system.

- WaveLinx Wireless functionality configures zones and customizes settings from one secure mobile app
- Automatic code commissioning that meets the strictest codes
- Fixtures and sensors integrate with WaveLinx Area Controller, Wall Stations, and Control Devices
- Stand-Alone Offices or Entire Building Network Installations

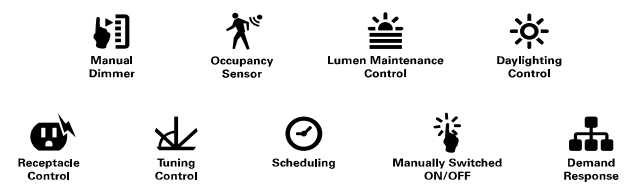
Downlights with wireless communication
Highly efficient LED fixtures

WaveLinx Area Controller
Provides centralized coordination of multiple area control options

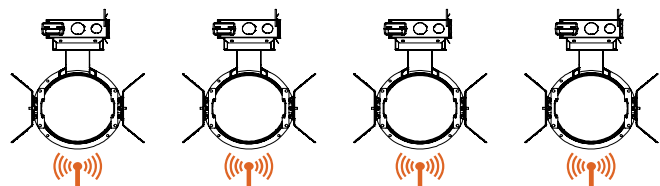
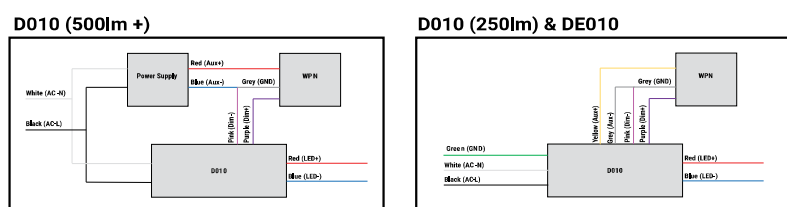
Wireless Wall Station/Receptacle
Provides customized wireless control of each area

Mobile Applications
Provides personalized, local control from a tablet or smartphone

WaveLinx mobile app settings

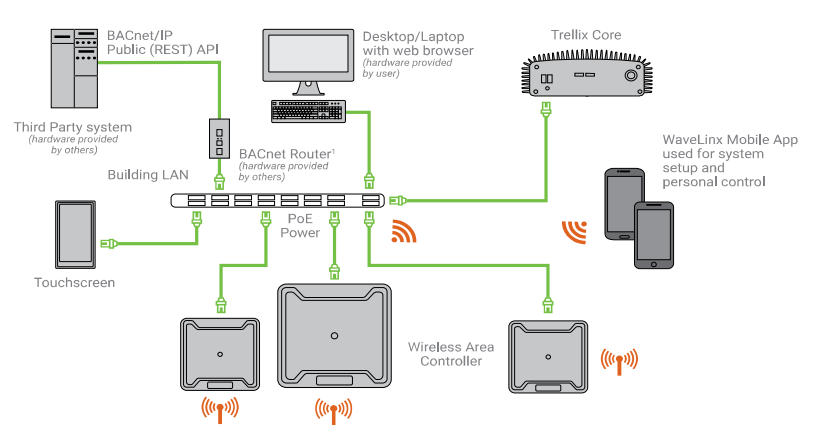


WaveLinx PRO Wireless Node (WPN) Wiring Diagram



120-277 VAC 3A downlights with 0-10V control

WaveLinx CORE Building Management Integration



Job Name : SECHELT AQUATIC CENTRE
Manufacturer : PORTFOLIO
Model Number : LER4C20DE010W2N2765MB / EC4C1030W2N902765 / 4LBN3MB /AC4120MB

Type :
L -OPTI
ON01

Portfolio

LER4C/LESQ4C Cylinders

Proven Research. Industry Recognized.

BioUp
 Melanopic Lighting



See [BioUp brochure](#) for more details

ANSI/IES RP-46-23
RECOMMENDED PRACTICE:
 SUPPORTING THE PHYSIOLOGICAL AND BEHAVIORAL EFFECTS OF LIGHTING IN INTERIOR DAYTIME ENVIRONMENTS
 AN AMERICAN NATIONAL STANDARD

ANSI/IES RP-46-23 / TM18 published March 2024 based on over 40 years of research.

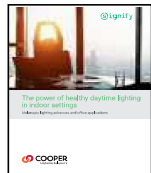
“...circadian clock synchronization is paramount to the body’s efficient and appropriate functioning.” – TM18

INTERNATIONAL WELL BUILDING INSTITUTE™

BioUp solutions maximize WELL points for Circadian Lighting Design (L03):

Use BioUp to achieve Equivalent Melanopic Lux (EML) thresholds for circadian design and earn nearly 20% of WELL building lighting points.

MDER, M-EDI and **EML** are key metrics used to quantify non-visual performance of indoor lighting systems.



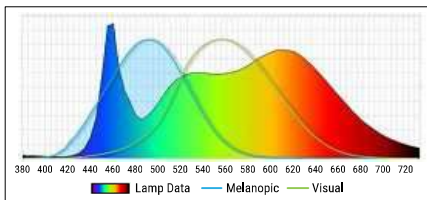
See [BioUp white paper](#) for more details

30% boost Biological impact compared to traditional LED sources

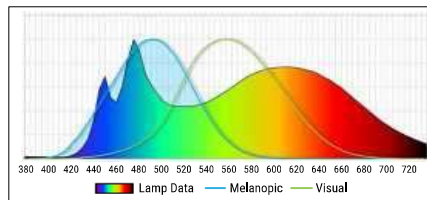
CCT	LED @ ~83 CRI	BioUp Static		BioUp Dynamic	
		MDER	CRI	MDER	CRI
2700K	0.45	-	-	0.43	95
3000K	0.50	-	-	0.57	94
3500K	0.57	0.71	90	0.71	90
4000K	0.65	0.84	87	0.84	87
5000K	0.79	1.00	84	1.00	84

MDER - Melanopic Daylight Efficacy Ratio (MDER) measures the amount of light stimulating to the melanopsin receptors.

Standard 4000K LED
 MDER = .62



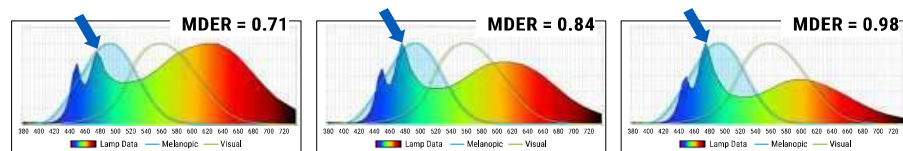
BioUp 4000K LED
 MDER = .82



BioUp enhances the LED spectrum with cyan light at 475nm increasing the biological impact of the light to enhance our circadian rhythm which regulates our sleep/wake cycle, daytime engagement, and mood – **all without distorting visual color impression.**

Static (non-tunable)

Static BioUp is used when simple Melanopic Lighting is desired at all times.



3500K or **4000K** or **5000K**

Cyan light component always present

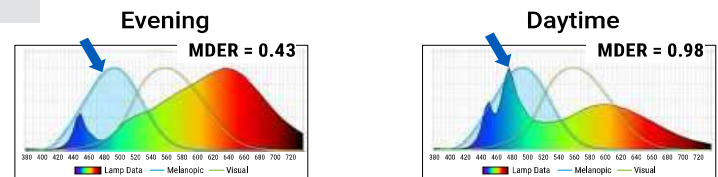


no CCT control needed

Arrow in graph shows BioUp spectrum boost is at 475nm where non-visual biological response is enhanced.

Dynamic - (Tunable)

Dynamic BioUp is used when Melanopic Lighting is desired to adjust during the day.



Warmer CCT **Without** Cyan content ← → **2700K – 5000K** → Cooler Light **With** Cyan content



Control with Wavelinx, 2ch 0-10V, or DALI



Cooper Lighting Solutions
 1121 Highway 74 South
 Peachtree City, GA 30269
 P: 770-486-4800
 www.cooperlighting.com

© 2025 Cooper Lighting Solutions
 All Rights Reserved.
 Specifications and dimensions
 subject to change without notice.

PS52050023 page 13
 February 17, 2025 10:07 AM

Prepared By: Mac's ii Design Team

Job Name : SECHELT AQUATIC CENTRE
Manufacturer : LITELINE CORPORATION
Model Number : GCY4P60-IS-TW-S-BK-R-HB-K

Type :
L -OPTI
ON02



GENESIS CYLINDER 4

4" Cylinders, 1000-4000 Lumens
 High Performance Commercial Cylinders

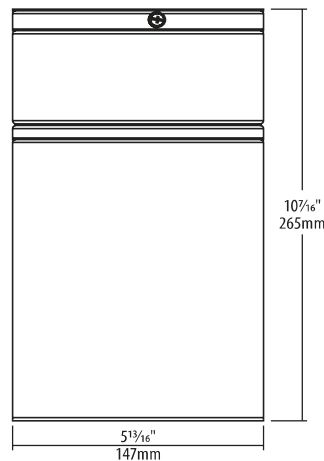


Job Information	
Project Name	
Type	
Location	
Quantity	
Date	

Description

4" Surface and pendant cylinder light includes high efficiency LED with integral driver. The optical diffusion produces high lumen transmission and smooth, comfortable and even illumination. Designed for architectural interiors such as museum, lobbies and universities.

Technical Drawings



FIXTURE SPECIFICATIONS	
Aperture	4" (102mm)
Approved Location	Indoor/Outdoor, Wet
Certification	cETLus
CRI	90
Dimming	Yes
Lumen Maintenance	70% @ 50,000 Hrs
Lumens	Up to 4000 @ 90 CRI
Lumens per Watt	Typical 90
Power	15-60W
Power Factor	> 0.9
Power Supply Type	Constant Current
THD	<20%

Ordering Guide

Mounting	Pendant Length ¹	Source Light Output ²	Color Temp.	Beam Angle	Housing Finish	Reflector Type	Reflector Finish	LED Driver ⁸
GCY4								
C : Surface Mount P : Pendant L : Slope Ceiling Pendant ⁷ A : Aircraft Pendant ⁸ W : Wall Mount QUICKSHIP 7-DAY Highlighted option denotes Quick Ship.	12 : 12" 18 : 18" 24 : 24" 36 : 36" 48 : 48" 96 : 96" TE : 120" TW : 144" XL : 180" CU : Custom 60: 60"	IA : 1000 lm IB : 1200 lm IC : 1500 lm IS : 2000 lm IL : 2500 lm IM : 3000 lm IO : 3000 lm IP : 3000 lm IQ : 3500 lm IR : 4000 lm IS : 2000 lm IT : 2500 lm IU : 3000 lm IV : 3000 lm IW : 3500 lm IX : 4000 lm IY : 4000 lm	27 : 2700 K 30 : 3000 K 35 : 3500 K 40 : 4000 K 57 : 5700 K TW : Tunable White ⁹	S : Spot (17°) ⁹ N : Narrow (26°) M : Medium (36°) W : Wide (50°) L : Linear Spread Film (60° wide) Z : Wall Wash	BK : Black WH : White CU : Custom ³	R : Regular S : Shallow	HC : Semi-specular HW : Semi-specular with White Trim SW : Specular with White Trim WH : White BK : Black HB : Semi-specular with Black Trim	S : TRIAC/ELV/0-10V dimming ⁵ B : Rated -40°C, 0-10V dimming ⁴ Q : Sensor Compatible ¹¹ D : DALI M : DMX ⁶ O : 0-10V w/AUX Output ¹⁰ E : Encelium Integrated T : Lutron DALI Driver ⁵ K : Tunable White Dual 0-10V ³ W : OnCloud Enabled ⁵

Notes:

- ¹ For pendant mounts only.
 - ² Delivered lumens provided are based on 3000 K with wide beam spread reflector.
 - ³ Additional lead time required, contact factory for details.
 - ⁴ Multi voltage driver.
 - ⁵ TRIAC/ELV dimming available with 120V.
 - ⁶ Pendant fixtures are damp rated, suitable for indoor use only.
 - ⁷ Pendant length only up to 48".
 - ⁸ White Tunable control is available only with "W", "K", "T", "D" and "Q" drivers.
 - ⁹ Maximum 4000 lumens light output with medium heatsink only.
 - ¹⁰ Compatible with Casambi, Encelium, Lutron Athena node and Leviton Intellect wireless Controller (provided by others).
 - ¹¹ Included with Sensor.
- Quick Ship option is available on orders of 75 pieces or less, and will ship within 7 business days. Options must be selected from Quick Ship section to qualify. For additional options please consult your A-Line representative. All trademarks are the property of their respective owners. Due to our continued efforts to improve our products, product specifications are subject to change without notice.

Liteline Corporation
 Copyright © 2025
 All rights reserved.

Telephone
 416.996.1856
 1.866.730.7704

Fax
 905.709.5255
 1.888.738.9736

LITELINE.COM

REV 9.9.25

Prepared By: Mac's ii Design Team

Job Name : SECHELT AQUATIC CENTRE

Manufacturer : LITELINE CORPORATION

Model Number : GCY4P60-IS-TW-S-BK-R-HB-K

Type :
L -OPTI
ON02

Features

Housing

Round 0.06" (1.5mm) thick spun aluminum housing available in flat white or black finish with choice of reflector. Housings can be custom painted. Contact factory for pricing and availability and include RAL color value.

Mounting

Surface mount, pendant, or aircraft pendant and wall mount options available. Clear jacket wire is used on aircraft cable option, white jacket with 347V.

LED Optics

Integrated soft lens provides visual comfort.

Reflector

Constructed of spun aluminum, the reflector provides precision distribution of light with low glare.

LED Characteristics

Fixed CCT high power CREE® LED chips maintain uniform intensity with a typical 90 CRI. Also available with Tunable White (2700 K - 5000 K).

Control

Multiple dimming and control options available, from traditional 0-10V for 1% dimming to fully wireless dimming and tunable white control with our OnCloud solution powered by WiZ. Dimming controls include OnCloud, 0-10V, Casambi, DALI, DMX and Encelium, for a

full list with more details refer to the "LED Driver Options" table. Auxiliary output option available gives the freedom to power 3rd party devices for extra control. Consult factory for compatible dimmers.

Electrical

Junction box mounted for ease of maintenance, constant current LED driver with a power factor above 0.9 and THD below 20% standard ensures high efficiency and low systemic harmonic distortion. Class 2 construction. See LED Driver Options for more specific details.

LED Driver

Mounted in the top section of the cylinder, the LED driver features a power factor larger than 0.9, and THD of less

than 20%. See LED Driver Options for more specific details.

Thermal Performance

Extruded aluminum heat sink ensures optimal heat dissipation and LED life.

Environment

Surface and wall mount cylinders for use in wet locations and Pendant mount cylinder is suitable for damp locations.

Warranty

7-Year warranty.

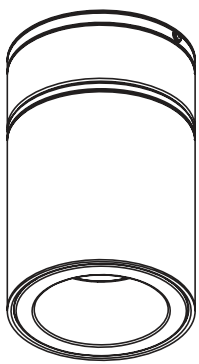
LED Driver Options

Driver	Maximum Lumen Output		Dimming	Notes
	120/277V	347V		
(S) Standard	4000 lm	N/A	10% TRIAC/ELV 1% 0-10V	TRIAC/ELV only available at 3500lm or below
(B) -40°C	4000 lm	4000 lm	1% 0-10V	Low Temperature Driver
(Q) Sensor Compatible*	4000 lm	4000 lm	1%	Module NOT included
(D) DALI**	4000 lm	4000 lm	1% DALI	Dali 2.0 rated to -40°C
(M) DMX	3500 lm	N/A	0.1% DMX/RDM	Rated to -40°C
(O) 0-10V w/AUX	4000 lm	4000 lm	1% 0-10V	With 12VDC 40mA Max. Auxiliary output
(E) Encelium Integrated	4000 lm	4000 lm	1% Encelium	Encelium Wireless Light Management System
(T) Lutron DALI Driver*	4000 lm	N/A	0.1% static white, 1% tunable white	DALI-2 digital LED driver
(K) Tunable White Dual 0-10V*	4000 lm	N/A	0.1% Dual 0-10V	2 Channels isolated 0-10V control
(W) OnCloud Enabled*	4000 lm	N/A	0.1% OnCloud Wi-Fi	OnCloud tunable white Wi-Fi control

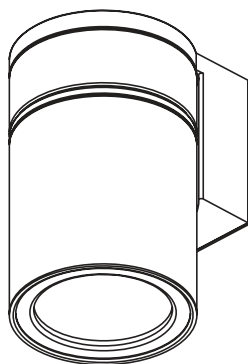
* Tunable White capable driver. ** Dali2 Type 6 for single CCT and Type 8 for TW.

Mounting Options

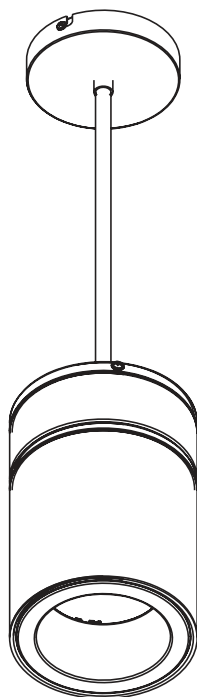
Surface Mount



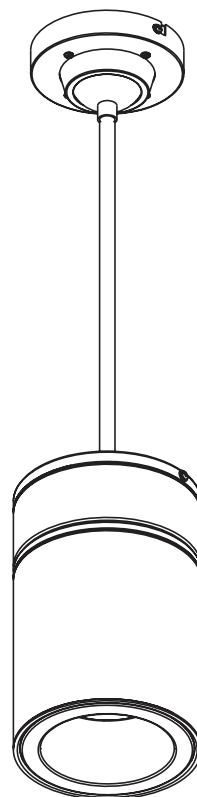
Wall Mount



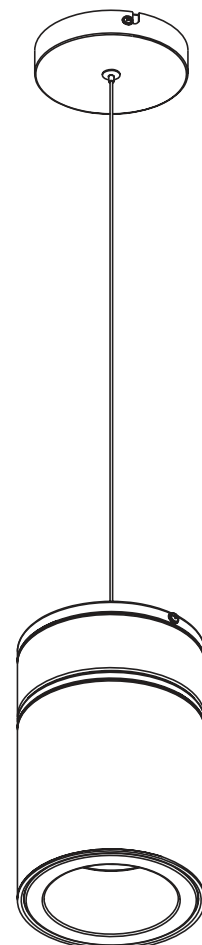
Pendant



Slope Ceiling Pendant



Aircraft Pendant



Job Name : SEHEL T AQUATIC CENTRE

Manufacturer : WAC LIGHTING

Model Number : S2SA-1-N-TWA-BK

Type :

Y -OPTI
ON01

WAC LIGHTING

VENTRIX Tunable White

Silo S2SA-1

Fixture Type:

Catalog Number:

Project:

Location:

Model & size	Power	Watt	Beam	Color Temp & CRI	Delivered Lumens	CBCP	Finish
<input type="radio"/> S2SA	<input type="radio"/> 1	17W	<input type="radio"/> N 32° <input type="radio"/> F 42° <input type="radio"/> W 60°	<input type="radio"/> TWA 1800K-4000K - 90	1005 1090 1010	2730 2100 1120	<input type="radio"/> BK Black <input type="radio"/> WT White

Example: S2SA-1-FTWABK

Lumens and CBCP are reference values for 3000K Color Temperature

Lumens and CBCP Multiplier						
Color Temperature	1800K	2200K	2700K	3000K	3500K	4000K
Multiplier	0.72	0.82	0.95	1.00	1.07	1.14



DESCRIPTION

Ventrix redefines flexibility — offering both Dim to Warm and Tunable White options in one innovative fixture. Select fixed beam spreads to define your space.

FEATURES

- Fixed Beam high lumen output elements at Narrow Flood, Flood, or Wide Flood via factory installed TIR lens.
- Stealth armature with 360° horizontal rotation and 90° vertical aiming
- Accepts one lens and glare control accessory
- To enable access to VENTRIX element releasing tabs, maintain at least 3" of free channel space
- Driver concealed within the fixture
- 5 year warranty

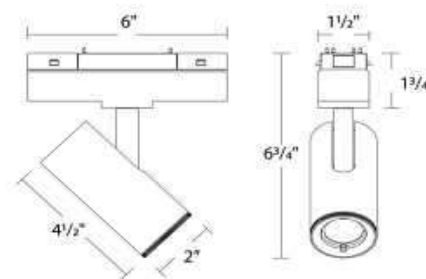
SPECIFICATIONS

Construction	Die-cast aluminum with rotatable front face
Power:	17W
Input:	48 VDC
Dimming:	ELV: 100-0.1% , 0-10V: 100-0.1% , TRIAC: 100-0.1% , DMX: 100-0.1%
Light Source:	Integrated LED, 3 Step Mac Adam Ellipse
Lens:	Clear Lens
Rated Life:	50,000 Hours
Mounting:	Installs magnetically and mechanically into VENTRIX system, Can be mounted on ceiling or wall vertically or horizontally
Finish:	Electrostatically Powder Coated Black, White
Operating Temp:	-4°F to 104°F (-20°C to 40°C)
Standards:	UL, cUL, Dry Location Listed, Title 24 JA8 Compliant

FINISHES:



LINE DRAWING



Job Name : SECHELT AQUATIC CENTRE
Manufacturer : WAC LIGHTING
Model Number : S2SA-1-N-TWA-BK

Type :
Y -OPTI
ON01








WAC LIGHTING

VENTRIX Tunable White

Silo S2SA-1

Fixture Type: _____
 Catalog Number: _____
 Project: _____
 Location: _____

ACCESSORIES

	Model	Description	Finish
	LENS-11-RED LENS-11-GRN LENS-11-BLU LENS-11-AMB	Colored Lens Colored Lens Colored Lens Colored Lens	Red Green Blue Amber
	LENS-11-FR	Clear/Frosted Lens	Frosted
	LENS-11-SPR	Spread Lens	Spread Lens
	LENS-11-BEL	Beam Elongating Lens	Beam Elongating
	LENS-11-HCM	Honeycomb Louver	Black
	LENS-11P-CRL-WT LENS-11P-CRL-BK	Cross Louver Cross Louver	White Black
	LENS-11-SNOOT-WT LENS-11-SNOOT-BK	Snoot Snoot	White Black

Job Name : SECHELT AQUATIC CENTRE

Manufacturer : WAC LIGHTING

Model Number : S2SA-2-N-TWA-BK

Notes : SPECIFY BEAM ANGLE

Type :

**Y -OPTI
ON02**

WAC LIGHTING

VENTRIX Tunable White

Silo S2SA-2

Fixture Type:

Catalog Number:

Project:

Location:

Model & size	Power	Watt	Beam	Color Temp & CRI	Delivered Lumens	CBCP	Finish
<input type="radio"/> S2SA	<input type="radio"/> 2	<input type="radio"/> 29W	<input type="radio"/> N 30° <input type="radio"/> F 40° <input type="radio"/> W 55°	<input type="radio"/> TWA 1800K-4000K - 90	1700 1745 1600	4790 3295 1180	<input type="radio"/> BK Black <input type="radio"/> WT White

Example: **S2SA-2-FTWABK**

Lumens and CBCP are reference values for 3000K Color Temperature

Lumens and CBCP Multiplier						
Color Temperature	1800K	2200K	2700K	3000K	3500K	4000K
Multiplier	0.72	0.82	0.95	1.00	1.07	1.14



DESCRIPTION

Ventrix redefines flexibility — offering both Dim to Warm and Tunable White options in one innovative fixture. Both powered by the MyWAC APP for seamless control, precision color, and connected performance.

FEATURES

- Adjustable accent elements with high lumen output.
- Stealth armature with 360° horizontal rotation and 90° vertical aiming
- Accepts one lens and glare control accessory
- To enable access to VENTRIX element releasing tabs, maintain at least 3" of free channel space
- Narrow Flood, Flood, Wide Flood optics are field changeable.
- Driver concealed within the fixture
- 5 year warranty

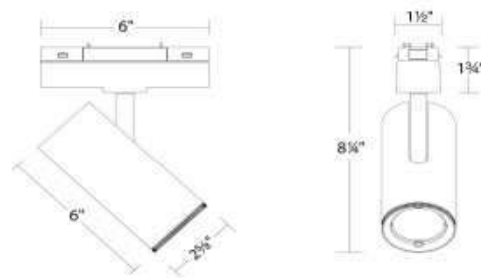
SPECIFICATIONS

Construction	Die-cast aluminum
Power:	29W
Input:	48 VDC
Dimming:	ELV: 100-0.1% , 0-10V: 100-0.1% , TRIAC: 100-0.1% , DMX: 100-0.1%
Light Source:	Integrated LED, 3 Step Mac Adam Ellipse
Rated Life:	50,000 Hours
Mounting:	Installs magnetically and mechanically into VENTRIX system, Can be mounted on ceiling or wall vertically or horizontally
Finish:	Electrostatically Powder Coated Black, White
Operating Temp:	-4°F to 104°F (-20°C to 40°C)
Standards:	UL, cUL, Dry Location Listed, Title 24 JA8 Compliant

FINISHES:



LINE DRAWING



Job Name : SECHELT AQUATIC CENTRE
Manufacturer : WAC LIGHTING
Model Number : S2SA-2-N-TWA-BK
Notes : SPECIFY BEAM ANGLE

Type :
**Y -OPTI
 ON02**




WAC LIGHTING

VENTRIX Tunable White

Silo S2SA-2

Fixture Type: _____
 Catalog Number: _____
 Project: _____
 Location: _____

ACCESSORIES

	Model	Description	Finish
	LENS-16-RED LENS-16-GRN LENS-16-BLU LENS-16-AMB	Colored Lens Colored Lens Colored Lens Colored Lens	Red Green Blue Amber
	LENS-16-FR	Clear/Frosted Lens	Frosted
	LENS-16-SPR	Spread Lens	Spread Lens
	LENS-16-BEL	Beam Elongating Lens	Beam Elongating
	LENS-16-HCM	Honeycomb Louver	Black
	LENS-16P-CRL-BK	Cross Louver	Black
	LENS-16-SNOOT-BK	Snoot	Black

Job Name : SECHELT AQUATIC CENTRE
Manufacturer : METALUX
Model Number : 4VT3-SL3C3-XX-UNV-WLS4
Notes : SPECIFY DISTRIBUTION

Type :
N

Project		Catalog #		Type	
Prepared by		Notes		Date	



Metalux

Vaportite LED Selectable

VT3 Selectable CCT and Lumen Industrial LED Vaportite

Typical Applications

Parking Garage • Cold Storage • Canopy • Warehouse • Food Processing • Manufacturing • Complex Environments

Interactive Menu

- Order Information [page 2](#)
- Photometric Data [page 3](#)
- Product Warranty

Top Product Features

- CCT and Lumen select with up to (3) CCT and lumen choices
- Compact and durable fiberglass reinforced polyester housing
- Precision optics in general, wide, or parking garage distribution
- Impact protection rating IK07 Lens and IK07 Housing
- High Impact Polycarbonate optical lens
- Wet Location and IP67 Listed

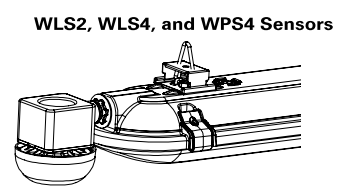
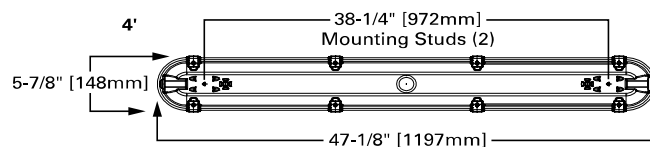
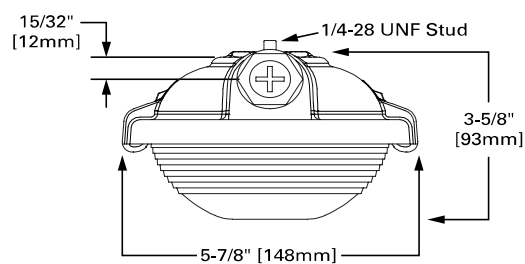
Product Certification



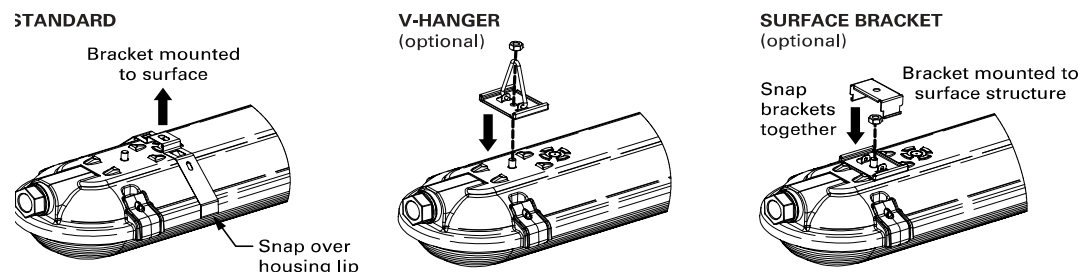
Product Features



Dimensional, Mounting Details



Installation Data



PS51915524 page 1
 December 10, 2025 4:29 PM

Prepared By: Mac's ii Design Team

Job Name : SECHELT AQUATIC CENTRE
Manufacturer : METALUX
Model Number : 4VT3-SL3C3-XX-UNV-WLS4
Notes : SPECIFY DISTRIBUTION

Type :
N

Metalux

VT3 Selectable LED

Order Information

SAMPLE ORDER NUMBER: **4VT3-SL3C3-G-UNV**

Domestic Preferences ⁽¹⁾	Series ⁽²⁾	Distribution ^{(3), (4)}	Voltage	Remote Emergency Enclosure
[Blank]=Standard BAA=Buy American Act TAA=Trade Agreements Act	4VT3-SL3C3=VT3 Selectable Selectable Lumens (See table on pg. 3 for details) 4000/5100/6400 Selectable Color 3000K/3500K/4000K	G=General Distribution W=Wide Distribution P=Parking Garage Distribution WPC=Wide Distribution, Polycarbonate PPC=Parking Distribution, Polycarbonate	UNV=Universal Voltage 120-277 Volt	EL10W=10-watt, 120-277V emergency battery pack installed ^{(6), (7)} VT-REM-EL10W=Remote mounted 10-watt, 120-277V emergency battery pack ⁽⁸⁾
Notes (1) Only product configurations with these designated prefixes are built to be compliant with the Buy American Act of 1933 (BAA) or Trade Agreements Act of 1979 (TAA), respectively. Please refer to DOMESTIC PREFERENCES website for more information. Components shipped separately may be separately analyzed under domestic preference requirements.	Notes (2) DesignLights Consortium® Qualified and classified for DLC Standard, refer to www.designlights.org for details.	Notes (3) General distribution provided with smooth frosted lens, Wide distribution provided with frosted prismatic lens, and Parking Garage distribution provided with clear prismatic lens. (4) IP69 only available in Wide or Parking Garage distributions.		Notes (6) IP ratings require fixtures be mounted horizontally. (7) EL10W option rated for max. 35°C ambient. (8) VT-REM-EL10W option rated for max. 45°C ambient.

Driver Type	Options	Packaging	Accessories (order separately) ⁽¹¹⁾
[Blank]=Standard (0-10V Driver, 10%-100%)	SSL=Stainless Steel Latches TP=Standard Latch with Tamper-proof Screws SSLTP=Stainless Steel Latches with Tamper-proof Screws MSWL20=Wet Listed Motion Sensor 360°, Non-dimming WPS4=WaveLinX PRO Wireless Sensor, Sidecar mount, with 1200 sq ft. coverage ⁽⁹⁾ WLS4=WaveLinX LITE Wireless Sensor, Sidecar mount, 15' - 40' Mounting Height ^{(9), (10)} WLS2=WaveLinX LITE, Integrated Sensor, Bluetooth Programmable, 7' - 15' Mounting ^{(9), (10)}	[Blank]=Unit Pack	VT3-SS-VBK=Stainless Steel V-Bracket (2 per kit) VT3-SS-SBK=Stainless Steel Surface Bracket (2 per kit)
	Notes (9) Not compatible with EL10W. (10) WaveLinX LITE devices are not currently compatible with the WaveLinX PRO Wireless Area Controller.		Notes (11) Accessories sold separately will be separately analyzed under domestic preference requirements. Consult factory for further information.

Product Specifications

Construction

- Rugged and durable construction
- Fiberglass housing is reinforced polyester and self-extinguishing (ASTM-D635-74) plastic
- Die formed metal chassis and electrical tray
- Watertight housing
- 1/2" conduit entry at each end of housing (standard) for continuous feed
- Polyurethane gasketing provides a continuous seamless seal for the diffuser lens
- Four sturdy cam latches clamp diffuser tightly for a positive seal between housing, gasketing and diffuser
- Stainless steel latches option
- Surface or chain mounting
- Impact protection rating IK07 Lens and IK07 Housing
- IK10 for polycarb lens with parking and wide distribution

Controls

- Integral 360° motion sensor, 1200 sq. ft. coverage
- WaveLinX Pro Wireless Sensor provides 1200 sq. ft. coverage for occupancy sensing and daylight harvesting
- WaveLinX Lite Wireless sensor suitable for low or high bay applications up to 40ft (45ft major motion).
- All fixtures with sensor come with two (2) hubs as standard

WaveLinX LITE devices are not currently compatible with the WaveLinX Pro Wireless Area Controller

Electrical

- Selectable lumen output choices of low, medium, high
- Selectable Color temperature choices in 3000K, 3500K and 4000K with a CRI >= 80
- Projected life is 60,000 hours at 89% lumen output
- Driver 120-277V with 0-10V dimming control standard
- Default CCT/Lumen setting is 4000K and Medium Power
- Operating temperature of -40°C to 55°C; Ideal for cold storage environments

Lens

- Thermoformed low profile, high impact 50% DR High acrylic lens
- Smooth frosted lens for general distribution
- Frosted prismatic lens for wide distribution
- Clear prismatic lens for parking garage distribution

Warranty

- Five-year limited warranty

Compliance

- UL/cUL listed for Wet location
- LED modules comply with IESNA LM-79 and LM-80 standards
- NEMA 4X, IP65, IP66 and IP67 rated (see installation instructions for requirements)
- IP69 rated with wide or parking garage distributions
- NSF International certified for NSF/ANSI Standard 2 – Food Equipment
- DesignLights Consortium® Qualified and classified for both DLC Standard and DLC Premium (refer to [www.designlights.org](#) for details)
- Acrylic lenses are IK07 Rated, and optional Polycarbonate lenses are IK10 Rated

Control Solutions

- WaveLinX LITE wireless
- WaveLinX PRO wireless
- WaveLinX CAT wired
- WaveLinX Wired



Job Name : SEHEL T AQUATIC CENTRE
Manufacturer : METALUX
Model Number : 4VT3-SL3C3-XX-UNV-WLS4
Notes : SPECIFY DISTRIBUTION

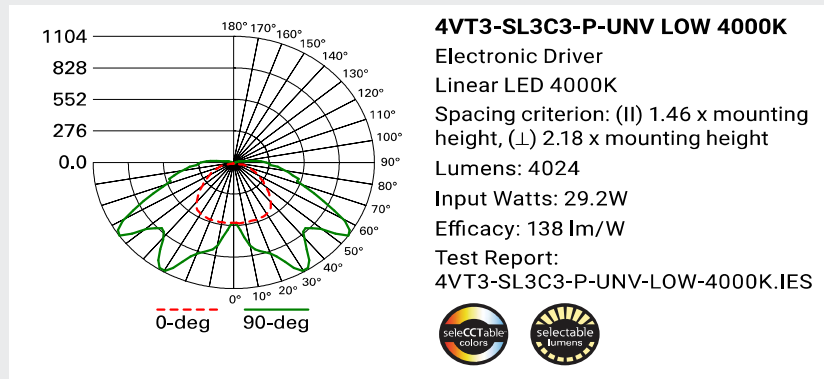
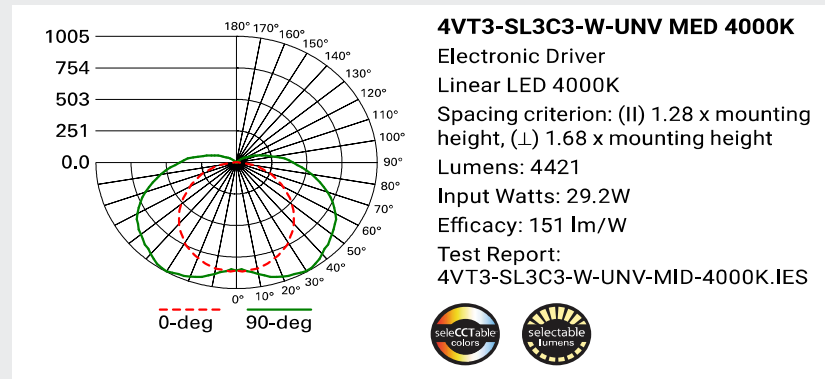
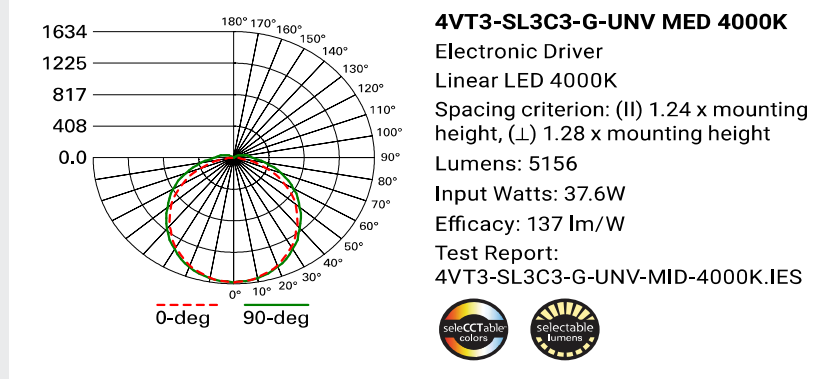
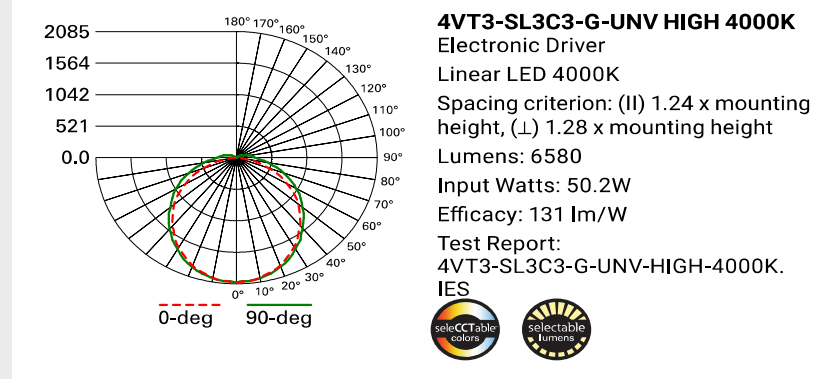
Type :
N

Metalux

VT3 Selectable LED

Photometric Data

[View IES files](#)



Energy and Performance Data by Catalog Number

Size	Catalog Number	Lumen Setting	CCT	CRI (Min)	Delivered Nominal Lumens	Watts	Efficacy (lm/W)
4FT	4VT3-SL3C3-G-UNV	Low	3000K	80	3828	29.3	131
			3500K	80	4055	28.5	142
			4000K	80	4107	29.2	141
		Medium	3000K	80	4796	37.6	128
			3500K	80	5129	36.5	141
			4000K	80	5156	37.6	137
		High	3000K	80	6126	50.1	122
			3500K	80	6622	48.3	137
			4000K	80	6580	50.2	131

Lumen Maintenance

Ambient Temperature	TM-21 Lumen Maintenance (60,000 hours)	Theoretical L70 (Hours)
25°C	> 89%	> 185,000

4ft. Lumen Package	Ambient Rating
4VT3-SL3C3	50°C

Shipping Data

Catalog No.	Wt.
4VT3-S	12 lbs.

Shielding

Lens Type	Lumen Factor
G	1.00
P, PPC	0.98
W, WPC	1.08

IK Rating

VT3S	IK Rating
Lens	IK07
Housing	IK07
PC Lens	IK10
PPC Lens	IK10



Cooper Lighting Solutions
 1121 Highway 74 South
 Peachtree City, GA 30269
 P: 770-486-4800
 www.cooperlighting.com

© 2025 Cooper Lighting Solutions
 All Rights Reserved.
 Specifications and dimensions
 subject to change without notice.

PS51915524 page 3
 December 10, 2025 4:29 PM

Prepared By: Mac's ii Design Team

Job Name : SECHELT AQUATIC CENTRE

Manufacturer : EATON'S CROUSE-HINDS

Model Number : VMVL-3-N-C2-XX-UNV1-M2

Notes : SPECIFY OPTIC

Type :

Q

Champ VMVL LED luminaires

3,000 to 7,000 lumens

Cl. I, Div. 2, Groups A, B, C, D
Cl. I, Zone 2, AEx ec IIC, Zone 21 AEx tb IIIC
Cl. I, Zone 2, Ex ec IIC, Zone 21 Ex tb IIIC
Cl. II, Div. 1, Groups E, F, G
Cl. III & Simultaneous Presence

UL/CSA Listed
IEC/EN
Marine & Wet Locations
Type 4X; IP66

2L

2L

The Champ VMVL LED family

The Champ® VMVL light fixture is a field-proven design that helps ensure safety, reliability and performance in harsh and hazardous areas. The optional M3 configuration adds intelligent control and insight capabilities to deliver more operational value and better total cost of ownership.

Certifications and compliances:

NEC/CEC/IEC^A:

- Class I, Division 2, Groups A, B, C, D
- Class II, Division 1, Groups E, F, G
- Class III
- Class I, Zone 2, AEx ec IIC, Zone 21 AEx tb IIIC
- Class I, Zone 2, Ex ec IIC, Zone 21 Ex tb IIIC
 - Ex ec IIC T* Gc
 - Ex tb IIIC T*° C Db
 - II 3 G Ex ec IIC T* Gc
 - II 2 D Ex tb IIIC T*°C Db
- Simultaneous Presence
- Marine and wet locations, Type 4X, IP66

UL standards:

- UL844, UL913^A, UL1598, UL1598A, UL8750, UL50E
- UL 60079-0, UL 60079-7, UL 60079-11^A, UL 60079-31

CSA standards:

- CSA C22.2 No. 137, CSA C22.2 No. 94.2, CSA C22.2 No. 250.0, CSA C22.2 No. 250.13
- CSA C22.2 No. 60079-0, CSA C22.2 No. 60079-7, CSA 22.2 No. 60079-11^A, CSA C22.2 No. 60079-31

IEC/EN standards:

- IEC/EN 60079-0, IEC/EN 60079-7, IEC/EN 60079-11^A, IEC/EN 60079-31

Luminaire markings:

- IECEX UL 19.0039X
- DEMKO 19 ATEX 2118X
- DEMKO 19 ATEX 2119X

Standard materials:

- Lamp housing and adapter – die cast aluminum with Corro-free™ epoxy powder coat
- Lens – heat- and impact-resistant clear or diffused glass; polycarbonate (optional)
- Gaskets – silicone
- External hardware – stainless steel
- Factory sealed, no external seals required
- Contains no mercury or other hazardous substances

Fixture warranty:

- 7-year fixture warranty^B

LED system:

- Energy-efficient technology – up to 77% energy savings over HID fixtures
- High intensity discrete power emitters
- Cool white (5000K, 70 CRI) (standard); warm white (3000K, 80 CRI), neutral white (4000K, 70 CRI), or deep warm (2200K, 70 CRI, dark sky ready) (optional)
- Custom Type I, III and V optics available^C



Colored LED options:

- Available in true green and true amber wildlife friendly applications^C
- Reduction in light pollution for night space observation and sky glow due to isolating blue wavelength in red and amber colors
- Improves visibility for telescopes in observatories during night sky space exploration

Photometrics:

- Refer to www.eaton.com (under the Resources tab of each product family) for specific photometric IES files

Temperature performance data – UNV1 driver:

UNV1: VMVL-3 to VMVL-7	40°C		55°C		65°C	
	M3	M2	M3	M2	M3	M2
Class I, Division 2	T5	T5	T5	T5	T5	T5
Class II, Division 1	T4	T6	T4	T6	T4	T6
Simultaneous presence						
Class I, Division 2	T3B	T3B	T3B	T3B	T3B	T3B
Class II, Division 1						
Zone 2, AEx ec ia IIC	T4	T4	T4	T4	T4	T4
Zone 2, Ex ec ia IIC						
Zone 21, AEx ia tb IIIC	T135	T65	T135	T85	T135	T85
Zone 21, Ex ia tb IIIC						

Electrical ratings:

Model	Weight Kg. (Lbs.)	Nominal lumens ^D	Efficacy (lm/W)	Nominal watts	Max. watts ^E	Voltage	Nominal amps	Max. amps ^E	Power factor	THD	Surge protection
VMVL-3-UNV1	5.45 (12.00)	3,225	153	21	23	100-277 VAC; 127-250 VDC	0.22 - 0.08	0.26	>0.90 ^F	<15%	6kV
VMVL-5-UNV1	5.45 (12.00)	5,456	155	35	39	100-277 VAC; 127-250 VDC	0.36 - 0.13	0.45	>0.90	<15%	6kV
VMVL-7-UNV1	5.45 (12.00)	7,607	152	50	54	100-277 VAC; 127-250 VDC	0.50 - 0.19	0.60	>0.90	<15%	6kV
VMVL-AT-UNV1	5.45 (12.00)	2,030	75	27	33	100-277 VAC; 127-250 VDC	0.27 - 0.10	0.37	>0.90	<15%	6kV
VMVL-GT-UNV1	5.45 (12.00)	2,900	145	20	23	100-277 VAC; 127-250 VDC	0.20 - 0.07	0.27	>0.90 ^F	<15%	6kV

^AThe "Ex ia" protection technique and the associated UL913, UL60079-11, CSA 60079-11 and IEC/EN 60079-11 standards are applicable only to VMVL M3 models with intelligent control and insight.

^BRefer to the authorized distributor price book for Crouse-Hinds standard Terms and Conditions. Standard 7-year warranty extends to 10-year warranty from date of installation with active subscription to Brightlayer Lighting software plan.

^CCustom optics not available with colored LEDs.

^DNominal lumens are based on Type V optics, 5000K CCT with a clear glass lens. The nominal wattage is measured at 120 VAC.

^EIn the event of an abnormal condition (single-string functioning), the maximum wattage and current will be reached.

^FFor VMVL-3-UNV1 and VMVL-GT-UNV1: PF >0.90 from 100-255 VAC.

Job Name: SECHELT AQUATIC CENTRE
Manufacturer: EATON'S CROUSE-HINDS
Model Number: VMVL-3-N-C2-XX-UNV1-M2
Notes: SPECIFY OPTIC

Type:
Q

Champ VMVL LED luminaires
 3,000 to 7,000 lumens

Cl. I, Div. 2, Groups A, B, C, D
 Cl. I, Zone 2, AEx ec IIC, Zone 21 AEx tb IIIC
 Cl. I, Zone 2, Ex ec IIC, Zone 21 Ex tb IIIC
 Cl. II, Div. 1, Groups E, F, G
 Cl. III & Simultaneous Presence

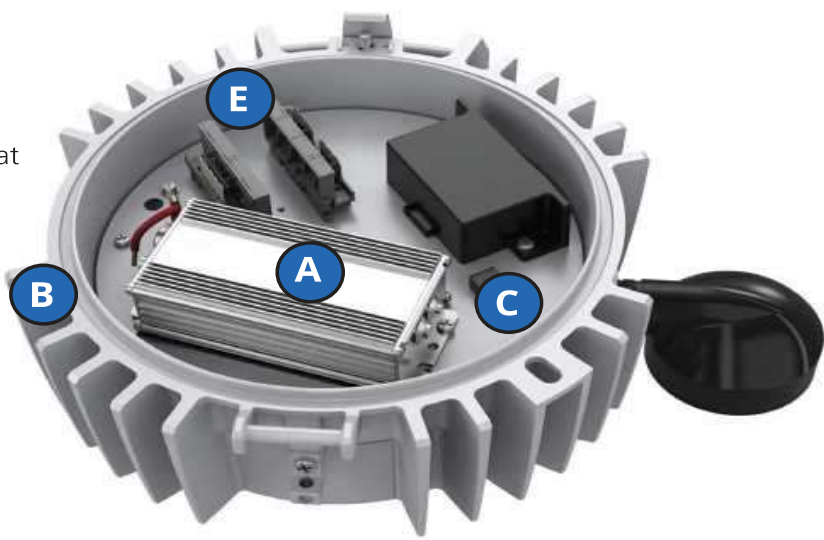
UL/CSA Listed
 IEC/EN
 Marine & Wet Locations
 Type 4X; IP66

2L

Design features – all Champ VMVL LED models:

LONG-LIFE RELIABILITY

- A Serviceable drivers**
 - Fully serviceable drivers are isolated from the primary heat source (LED engine) to maximize economic life
- B Thermal management**
 - Heat fins help ensure proper air flow and facilitate dust shedding for effective heat dissipation and thermal management of LED engine
- C Performance in extreme environments**
 - Up to 60,000 hours lifetime at +65°C
 - Operating ambient: -40°C to +65°C
 - Type 4X, IP66
 - Corrosion-resistant aluminum housing with Corro-free epoxy power coating
 - Vibration tested in accordance with Section 33 of UL844
 - Impact tested in accordance with Section 68 of UL844
 - 6kV surge protection



INSTALLATION EASE

- D Retrofit-friendly universal top hats**
 - 7 mounting module styles help ensure that the fixtures are installed in the correct location to properly light your facility
 - Crouse-Hinds series Champ LED luminaires utilize the same mounting modules as our legacy products, simplifying installation and significantly reducing costs in retrofit projects
 - We also offer mounting adapters and kits for quick connection to other manufacturers' modules (Appleton, Thomas and Betts, GE)
- E Lever lock connectors and terminal blocks**
 - Plug and play wiring simplifies and speeds installations
 - Accepts 10-20 AWG wire
- F Carrying handle**
 - Integral carrying handle simplifies transportation and installation at the job site

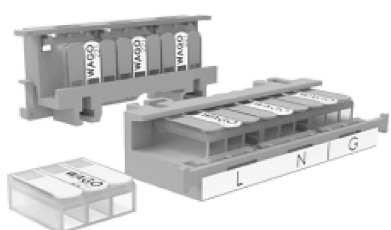
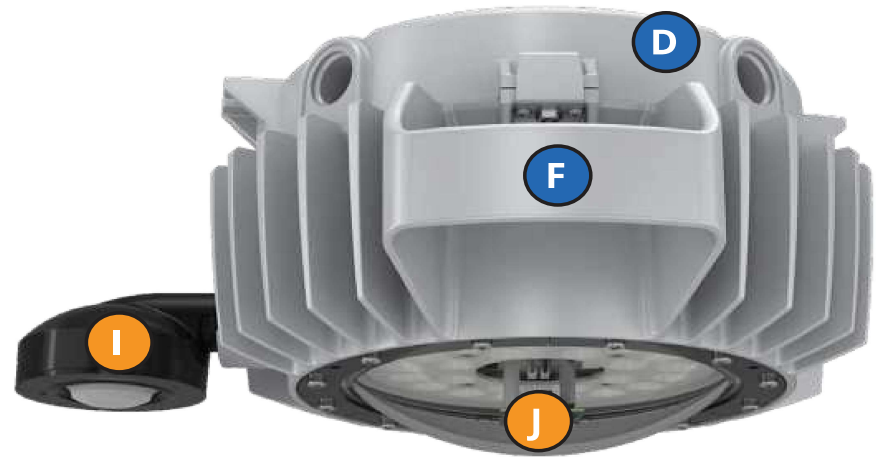


Image is representative only



Job Name : SECHELT AQUATIC CENTRE
Manufacturer : EATON'S CROUSE-HINDS
Model Number : VMVL-3-N-C2-XX-UNV1-M2
Notes : SPECIFY OPTIC

Type :
Q

Champ VMVL LED luminaires

3,000 to 7,000 lumens

Cl. I, Div. 2, Groups A, B, C, D
 Cl. I, Zone 2, AEx ec IIC, Zone 21 AEx tb IIIC
 Cl. I, Zone 2, Ex ec IIC, Zone 21 Ex tb IIIC
 Cl. II, Div. 1, Groups E, F, G
 Cl. III & Simultaneous Presence

UL/CSA Listed
 IEC/EN
 Marine & Wet Locations
 Type 4X; IP66

2L

2L LIGHT PERFORMANCE AND QUALITY

G Custom optics and colors

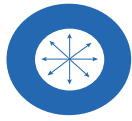
- Directs light where you need it, helping eliminate gaps and dark spots
- Can potentially reduce the number of light fixtures required in your application
- Green and amber LEDs available for wildlife conservation applications



TYPE I
 Long and rectangular for hallways, walkways, loading docks, catwalks



TYPE III
 Stanchion and wall mount light distribution, minimizing spillover on the wall



TYPE V
 Regular circular distribution pattern for high/low bay indoor and outdoor ceiling or pendant mount lighting

H Glass or polycarbonate lens with clear or diffused finish

- A variety of lens materials and finishes available to meet customer requirements or preference

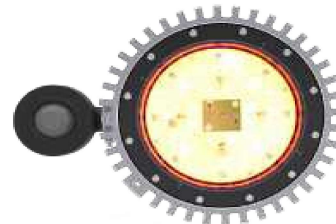


5000 K – COOL
 Crisp, bright white with a blue hue

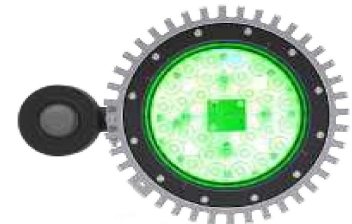
Note: Also available in 2200K and 4000K upon request.



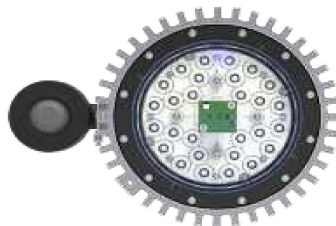
3000 K – WARM
 Warm white with a yellow hue



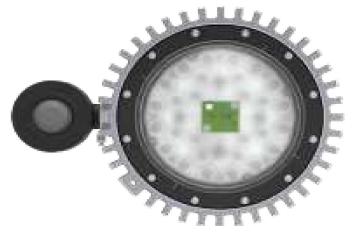
TRUE AMBER



TRUE GREEN



CLEAR



DIFFUSED

Additional design features – VMVL M3 models with intelligent control and insight: SENSING, CONTROLLING AND COMMUNICATING

I Intelligent multi-sensor (optional accessory)

- Replaceable sensor can be factory installed at purchase, or field installed at a later date
- Sensor is integral to light fixture—no field wiring required
- PIR occupancy sensor with LED indicator
 - Automatically illuminates the area once presence is detected
 - Light turns back off when presence is no longer sensed for a set period of time
- Photo sensor for daylight harvesting and lux reporting
 - Measures available daylight and adjusts light level of the luminaire to maintain desired light levels

J Smart controller

- Controller manages dimming, scheduling and grouping functionality, as well as notifications and alarming
- 90-minute on-board back-up memory maintains system clock and control profiles in event of power disruption
- User-selected option for thermal-rollback enables driver and LED protection during extreme temperature events
- Every VMVL M3 intelligent light fixture features connectivity capability

K Integrated antenna

- Attached to the optics board inside the lens, maintaining the fixture's hazardous ratings
- Connects easily to Eaton's Brightlayer Lighting control interface; no complex hardware required to commission and control the lights
- Bluetooth Low Energy (BLE) protocol enables decentralized control of the system without complex and expensive IT network gear
- Up to 30 foot range fixture-to-fixture
- Backed by Eaton's Cybersecurity Center of Excellence, which enforces security through training, technology, best practices and industry standards

Ⓞ These design features are only available on Champ VMVL M3 Intelligent light fixtures and require an active Brightlayer Lighting software subscription to enable. A Brightlayer Lighting plan can be activated at any time.

Job Name: SECHLT AQUATIC CENTRE
Manufacturer: EATON'S CROUSE-HINDS
Model Number: VMVL-3-N-C2-XX-UNV1-M2
Notes: SPECIFY OPTIC

Type:
Q

Champ VMVL LED luminaires
 3,000 to 7,000 lumens

Cl. I, Div. 2, Groups A, B, C, D
 Cl. I, Zone 2, AEx ec IIC, Zone 21 AEx tb IIIC
 Cl. I, Zone 2, Ex ec IIC, Zone 21 Ex tb IIIC
 Cl. II, Div. 1, Groups E, F, G
 Cl. III & Simultaneous Presence

UL/CSA Listed
 IEC/EN
 Marine & Wet Locations
 Type 4X; IP66

2L

Ordering information:

Part number example: VMVL-3-N-A2-R1-G-UNV1-SS12-M3

VMVL- 3 - N - A2 - R1 - - G - UNV1 - SS12 - M3

Light source/intensity

3	3250 nominal lumens
5	5537 nominal lumens
7	7442 nominal lumens
AT ^H	True amber LEDs (dominant wavelength 585-595 nm)
GT ^H	True green LEDs (dominant wavelength 520-535 nm)

Color temperature

BLANK	5000K, 70 CRI (cool white)
N ^H	4000K, 70 CRI (neutral white)
W	3000K, 80 CRI (warm white)
D ^H	2200K CCT, 70 CRI (deep warm white)

Lens guard

BLANK	No guard
G	Wire guard

Connectivity

M2	Standard fixture
M3	Intelligent fixture

Lens material

BLANK	Clear glass
DG	Diffused glass ^{J K L}
PC	Polycarbonate ^J
UP	Uplight glass globe refractor ^{J L}

Accessories and options

BLANK	No external sensor included
SS12 ^M	Sensor with barrier board (12-30 ft. mounting height)
SC	Safety cable
TB6	6-pole terminal block
TM ^N	Trunnion mount kit with pin

Voltage

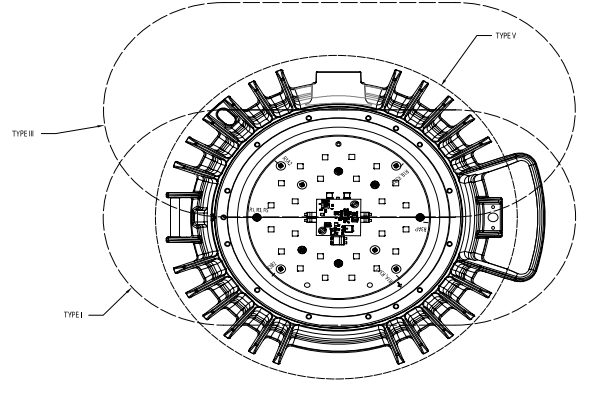
UNV1	100-277 VAC, 50/60 Hz; 127-250 VDC
-------------	---------------------------------------

Optics

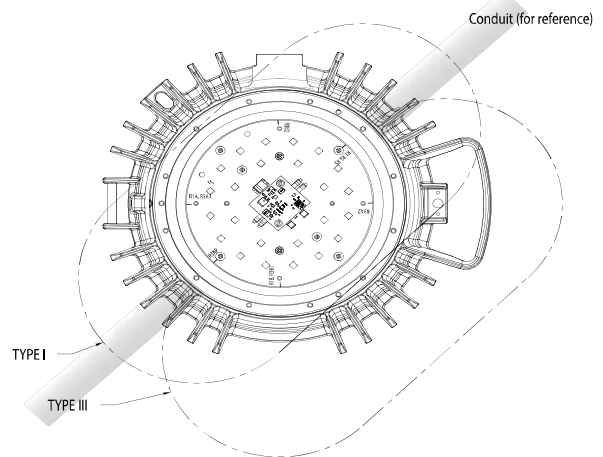
BLANK	Type V optic standard
R1 ^I	Type I optic (all mounts minus ceiling)
R3 ^I	Type III optic (all mounts minus ceiling)
R1A ^I	Type I optic (ceiling with conduit 45° counterclockwise from top hat hinge)
R3A1 ^I	Type III optic (ceiling with conduit 45° counterclockwise from top hat hinge)

Mounting style

BLANK	No mounting module	T2	¾" wall	A20	20mm pendant
J5	1½" stanchion, 25° angled	T3	1" wall	A25	25mm pendant
P5	1½" stanchion, straight	C2	¾" ceiling	C20	20mm ceiling
A2	¾" pendant	C3	1" ceiling	C25	25mm ceiling
A3	1" pendant	B2	¾" dust shedding	T20	20mm wall
H2	¾" offset pendant	B3	1" dust shedding	T25	25mm wall



Type R1 and R3 optic



Type R1A and R3A1 optic

Subscription add-ons:

Brightlayer Industrial Intelligent Lighting service plan

BLI-CH-DL-ADV ^M	1 year Brightlayer Lighting plan (1 device)
-----------------------------------	---

- ^H Consult customer service for lead time.
- ^I Additional clocked optics available upon request. Please contact customer service.
- ^J Only one lens option may be selected.
- ^K UL/cUL only, not available for IECEx/ATEX.
- ^L Available with Type V optic only.
- ^M Only available on Champ M3 model. An active Brightlayer Lighting subscription is required to enable sensor function and intelligent controls.
- ^N Must be used with ceiling mounting modules. For suffix 'TM', the luminaire is restricted to Class I, Division 2 applications only when it is used for pole mounting.



Job Name : SECHELT AQUATIC CENTRE

Manufacturer : EATON'S CROUSE-HINDS

Model Number : VMVL-3-N-C2-XX-UNV1-M2

Notes : SPECIFY OPTIC

Type :

Q

Champ VMVL LED luminaires

3,000 to 7,000 lumens

Cl. I, Div. 2, Groups A, B, C, D
 Cl. I, Zone 2, AEx ec IIC, Zone 21 AEx tb IIIC
 Cl. I, Zone 2, Ex ec IIC, Zone 21 Ex tb IIIC
 Cl. II, Div. 1, Groups E, F, G
 Cl. III & Simultaneous Presence

UL/CSA Listed
 IEC/EN
 Marine & Wet Locations
 Type 4X; IP66

2L

Accessories:

Mounting modules



Stanchion—straight



Stanchion—25° angled



Wall



Ceiling



Cone pendant



Pendant

Hub size	Stanchion—straight	Stanchion—angled	Pendant	Offset pendant	Wall	Ceiling	Cone pendant
¾"	—	—	APM2	HPM2	TWM2	CM2	BPM2
1"	—	—	APM3	—	TWM3	CM3	BPM3
1½"	PM5	JM5	—	—	—	—	—
20mm	—	—	APM20	—	—	—	—
25mm	—	—	APM25	—	TWM25	—	—

Mounting module	lb.	kg.
Pendant	1.25	0.57
Cone pendant	4.00	1.81
Flexible pendant	1.50	0.68
Ceiling	2.75	1.25
Wall	4.50	2.04
Angled stanchion	3.50	1.59
Straight stanchion	4.50	2.04

Mounting adapters

CHMM1	Mounting adapter for Appleton MercMaster III mounts
CHMM2	Mounting adapter for Appleton MercMaster II mounts
CHMM3	Mounting adapter for Thomas and Betts HazLux mounts
CHMM4	Mounting adapter for GE H2 Filtr-Gard mounts

Replacement driver kits

VMVL-3-UNV1-M3-DRIVER KIT	UNV1 replacement driver kit for VMVL-3 fixtures
VMVL-5-UNV1-M3-DRIVER KIT	UNV1 replacement driver kit for VMVL-5 fixtures
VMVL-7-UNV1-M3-DRIVER KIT	UNV1 replacement driver kit for VMVL-7 fixtures
VMVL-AT-UNV1-M3-DRIVER KIT	UNV1 replacement driver kit for VMVL True Amber
VMVL-GT-UNV1-M3-DRIVER KIT	UNV1 replacement driver kit for VMVL True Green

Mounting kits and hardware

VMVL S812 K1	Trunnion mount kit with pin Ⓞ Ⓟ Ⓠ
VMVL S812 K1 DBR	PVC coated trunnion mount kit with pin Ⓞ Ⓟ Ⓠ
VMVL S831 K1	Safety cable
VMVL S890 K1	Quick clip

Ⓞ Available with ceiling mounted modules only.

Ⓟ Luminaire is restricted to Class I, Division 2 applications only when it is used for pole mounting.

Ⓠ Can be mounted in 90°, 113° and 135° with fixed locking positions.

Intelligent lighting and control components

NHZZ-SS12 KIT	Sensor and barrier assembly kit Ⓡ
----------------------	--

Lens guard

PA3001	Wire guard
PU3003	Uplight wire guard

Ⓡ Available on Champ M3. An active Brightlayer Lighting plan is required for sensor function and intelligent controls.



CHMM1



CHMM2



CHMM3



CHMM4



VMVL S812 K1



PA3001



NHZZ-SS12 KIT



PU3003

Job Name : SEHEL T AQUATIC CENTRE
Manufacturer : EATON'S CROUSE-HINDS
Model Number : VMVL-3-N-C2-XX-UNV1-M2
Notes : SPECIFY OPTIC

Type :
Q

Champ VMVL LED luminaires
 3,000 to 7,000 lumens

Cl. I, Div. 2, Groups A, B, C, D
 Cl. I, Zone 2, AEx ec IIC, Zone 21 AEx tb IIIC
 Cl. I, Zone 2, Ex ec IIC, Zone 21 Ex tb IIIC
 Cl. II, Div. 1, Groups E, F, G
 Cl. III & Simultaneous Presence

UL/CSA Listed
 IEC/EN
 Marine & Wet Locations
 Type 4X; IP66

2L

The benefits of Champ M3 Intelligent lighting:



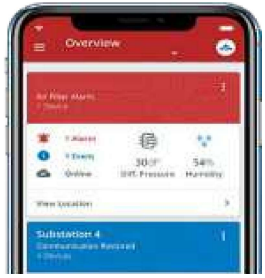
Maintain up-time and minimize maintenance costs by operating your lighting **WHEN** and **WHERE** you need it



Maximize energy savings and help achieve sustainability targets by reducing unnecessary light use



Improve safety and alarming with real-time monitoring that helps minimize personnel time in hazardous areas



Easily configure and manage your lights with intuitive commissioning and control through the Brightlayer app

2L

Champ light fixtures, renowned for their reliability and safety in harsh and hazardous lighting applications, are now available with intelligent control and insight capabilities, delivering more operational value and up to double the fixture lifetime versus a non-controlled LED.

Combining our advanced LED lighting design with communications and sensing technology and the intuitive Brightlayer Lighting app, you now have full lighting control at your fingertips—improving safety, maximizing energy savings and minimizing maintenance costs. Users can set customized fixture behavior and optimize light levels by site—helping minimize energy and maintenance costs.

The system requires no additional wiring, hardware, IT infrastructure, or “always on” cloud connection. A built-in mesh network allows each fixture to communicate with up to 100 other fixtures in range, automatically syncing updates across the network. All communications are protected by fully certified cybersecurity protocols, helping ensure secure and reliable performance.



Champ Intelligent is Brightlayer ready

Champ Intelligent light fixtures utilize **Brightlayer™ Lighting**, part of Eaton’s portfolio of power and energy software and services that enhance assets with control, monitoring and insights to reduce risk and improve safety, efficiency, resiliency and sustainability.

Through Brightlayer Lighting, we combine deep electrical expertise with connected hardware, intelligent software, and expert services—delivering integrated solutions that help businesses better manage power to drive real operational value.

Learn more about Brightlayer Lighting
 Scan QR code or go to:
Eaton.com/BrightlayerLighting

Job Name : SECHELT AQUATIC CENTRE

Manufacturer : EATON'S CROUSE-HINDS

Model Number : VMVL-3-N-C2-XX-UNV1-M2

Notes : SPECIFY OPTIC

Type :

Q

Champ VMVL LED luminaires

3,000 to 7,000 lumens

Cl. I, Div. 2, Groups A, B, C, D
Cl. I, Zone 2, AEx ec IIC, Zone 21 AEx tb IIIC
Cl. I, Zone 2, Ex ec IIC, Zone 21 Ex tb IIIC
Cl. II, Div. 1, Groups E, F, G
Cl. III & Simultaneous Presence

UL/CSA Listed
IEC/EN
Marine & Wet Locations
Type 4X; IP66

2L

2L

Champ M3 Intelligent lighting control functionality:



Live fixture ID

Our intuitive app-based dashboard enables quick and easy identification of individual lights installed in the field. Simply select "live id" for a specific fixture and it will cycle on and off three times.



Device grouping

An added benefit that maximizes control in a defined area. By grouping light fixtures, the same control settings can be applied to them all, increasing efficiency and response time.



Wireless ON/OFF and dimming

Turn lights on and off directly from the app. Reduce energy consumption by setting dimming levels or high end trim. Used in conjunction with other control features, such as scheduling and occupancy sensing, to further improve energy savings.



Intelligent scheduling

Allows for improving energy efficiency during non-operational hours. Easy app-based configuration lets a user set up schedules for lights to be on and off at pre-defined times, removing the challenges of manual management.



Occupancy sensing

Ideal for areas that see infrequent traffic, such as storage areas of warehouses. Sensor controls can automatically illuminate the area once presence is sensed and turn lights back off when presence is no longer sensed.



Daylight harvesting

Allows for use of the daylight and adjusts the light level of the luminaire to maintain desired light levels. It is best suited for outdoor environments or indoor areas where daylight is present during operational hours of a facility.

Provide the RIGHT amount of light, WHEN and WHERE you need it

With Brighlayer Lighting's intuitive app-based interface, you can utilize combinations of the Champ Intelligent control functions across your facility to optimize light levels by site, while minimizing run time to lower your energy and maintenance costs.



Site 1: Low traffic, remote or restricted areas

- Keep lights off or dimmed to a safe minimum
- Utilize occupancy sensing to immediately bring grouped lights to a working level when triggered by movement
- Return lights to OFF or dimmed setting after a set period of inactivity

Site 2: High traffic area with heavy employee activity, typically during shifts

- Schedule lights to be OFF during non-operational hours and turn on when work starts
- Utilize daylight harvesting where applicable for system-driven changes of fixture light output to maintain consistent lumen levels throughout the day

Job Name: SECHELT AQUATIC CENTRE
Manufacturer: EATON'S CROUSE-HINDS
Model Number: VMVL-3-N-C2-XX-UNV1-M2
Notes: SPECIFY OPTIC

Type:
Q

Champ VMVL LED luminaires
 3,000 to 7,000 lumens

Cl. I, Div. 2, Groups A, B, C, D
 Cl. I, Zone 2, AEx ec IIC, Zone 21 AEx tb IIIC
 Cl. I, Zone 2, Ex ec IIC, Zone 21 Ex tb IIIC
 Cl. II, Div. 1, Groups E, F, G
 Cl. III & Simultaneous Presence

UL/CSA Listed
 IEC/EN
 Marine & Wet Locations
 Type 4X; IP66

2L

Champ standard and intelligent fixture options:

The Champ M2 offers a classic, reliable lighting solution for a variety of applications

The hardware only plan provides a standard fixture without controls or sensing capabilities. The Champ M2 cannot be upgraded to add sensing or intelligent lighting control features at a later date.

The Champ M3 Intelligent offers advanced sensing and controls for improved convenience and savings—with the option to connect now or later

The Brightlayer Lighting subscription plan provides customized lighting control with a wide range of intelligent features. Create lighting groups and set light levels that can be managed by schedule, available daylight and occupancy. Additionally, you can easily see each fixture's estimated remaining usable life

Control-ready is the default for Champ M3 light fixtures if a Brightlayer Lighting plan is not purchased. Control-ready fixtures can be upgraded to add intelligent control at a later date by adding the subscription plan (and a sensor if one is not already installed).

	Champ M2	Champ M3	
	Hardware Only	Control Ready	Brightlayer Lighting
SUPPORT			
Pre-sale product training and lighting layout support	●	●	●
Post-sales technical support	●	●	●
Warranty	5 years	7 years	10 years
LIGHTING CONTROL FUNCTIONALITY			
Wireless on/off/dimming		○	●
Live fixture ID		○	●
Fixture grouping		○	●
Advanced scheduling		○	●
Occupancy sensing		○	●
Daylight harvesting		○	●
LIVE INSIGHTS AND DATA			
Remaining usable life		○	●
OPERATION AND HARDWARE			
iOS-based control and commissioning		○	●
Support for multiple fixtures, sites, groups and users		○	●

○ – Feature can be enabled in the future with the addition of sensor and Brightlayer Lighting subscription.
 ● – Feature is available by default. Sensor required.

Safety and support:



Get peace of mind and maximize protection on your fixtures with **extended warranties up to 10 years** that don't start until the product is installed on your site.



In the unlikely event that connection is lost, fixtures will default to Always On mode to **help ensure a safe environment for personnel.**



Users can enable optional **over-temperature protection to help protect fixtures** if the environment exceeds the rated temperature.



Job Name : SEHEL T AQUATIC CENTRE
Manufacturer : EATON'S CROUSE-HINDS
Model Number : VMVL-3-N-C2-XX-UNV1-M2
Notes : SPECIFY OPTIC

Type :
Q

Champ VMVL LED luminaire

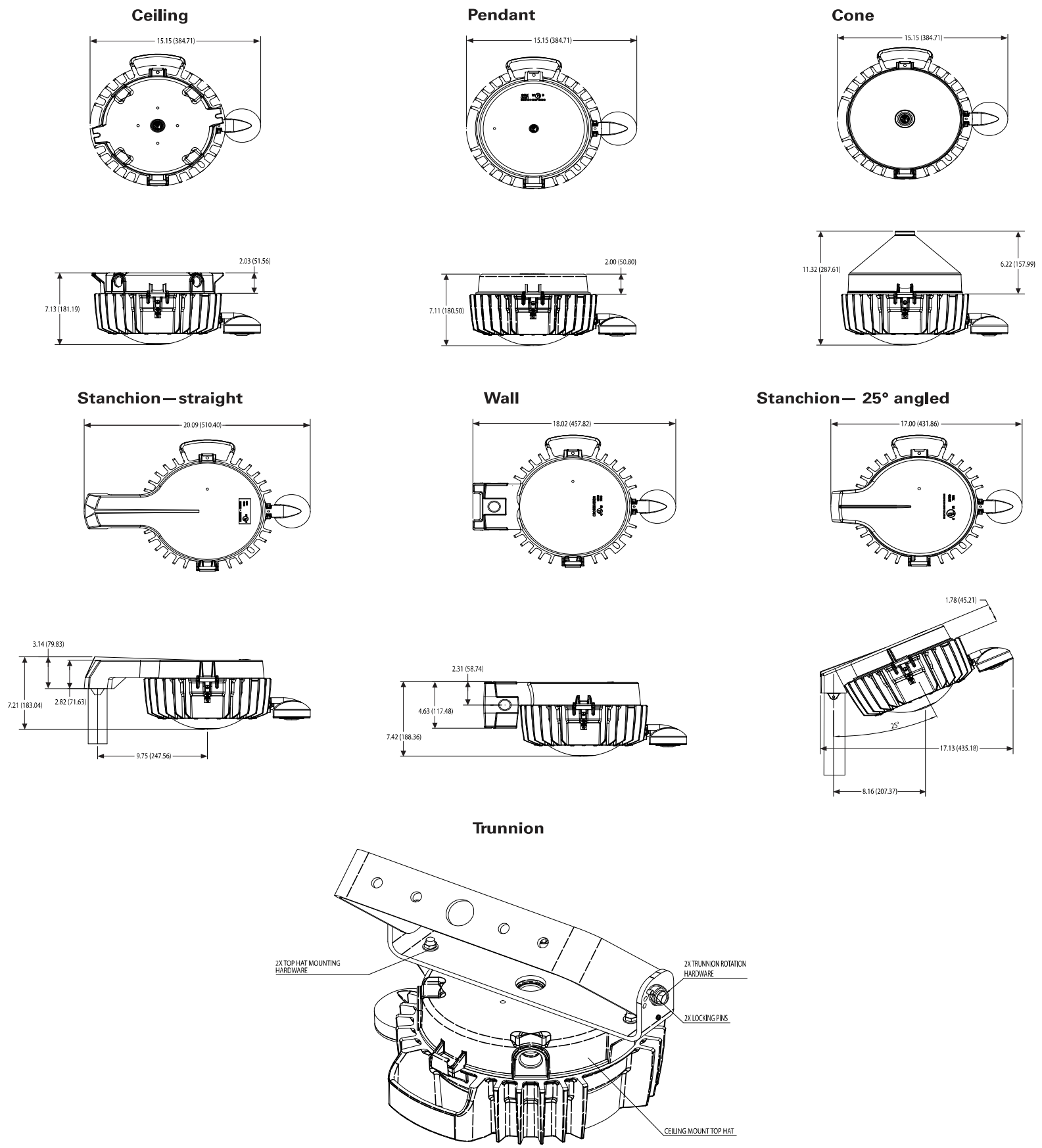
3,000 to 7,000 lumens

Cl. I, Div. 2, Groups A, B, C, D
 Cl. I, Zone 2, AEx ec IIC, Zone 21 AEx tb IIIC
 Cl. I, Zone 2, Ex ec IIC, Zone 21 Ex tb IIIC
 Cl. II, Div. 1, Groups E, F, G
 Cl. III & Simultaneous Presence

UL/CSA Listed
 IEC/EN
 Marine & Wet Locations
 Type 4X; IP66

2L

2L **Dimensions:**



Job Name : SECHELT AQUATIC CENTRE
Manufacturer : EATON'S CROUSE-HINDS
Model Number : VMVL-3-N-C2-XX-UNV1-M2
Notes : SPECIFY OPTIC

Type :
Q

**Champ VMVL LED
 luminaire**
 3,000 to 7,000 lumens

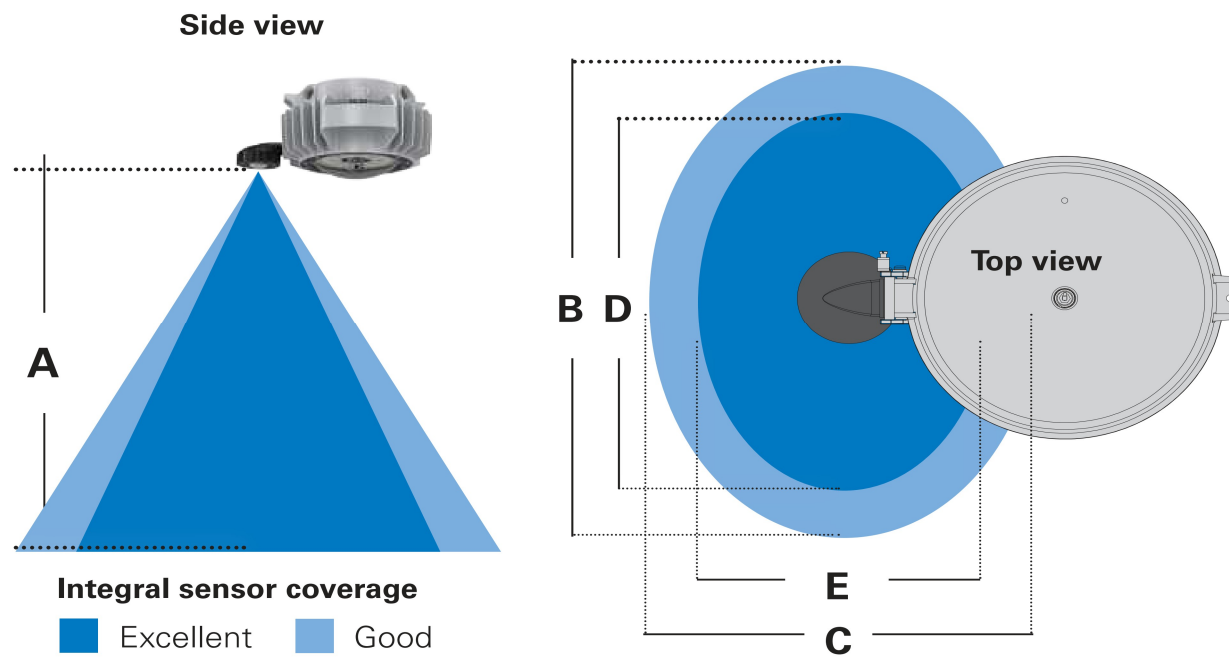
Cl. I, Div. 2, Groups A, B, C, D
 Cl. I, Zone 2, AEx ec IIC, Zone 21 AEx tb IIIC
 Cl. I, Zone 2, Ex ec IIC, Zone 21 Ex tb IIIC
 Cl. II, Div. 1, Groups E, F, G
 Cl. III & Simultaneous Presence

UL/CSA Listed
 IEC/EN
 Marine & Wet Locations
 Type 4X; IP66

2L

Integral sensor coverage (M3 models):

2L



Mounting height of fixture	Good coverage		Excellent coverage	
	A	B	C	D
12	15	12	12	9
30	40	36	36	30

NOTE: Numbers above are listed in feet.